



# MODEL L-1C PARTS MANUAL

Rev 1.00C 01-31-20

 **UL** US  
LISTED  
COMMERCIAL  
DISHWASHER  
864T



**CMA DISHMACHINES**  
**12700 KNOTT AVENUE**  
**GARDEN GROVE, CALIFORNIA 92841**

**800-854-6417**

FAX 714-895-2141

[www.cmadishmachines.com](http://www.cmadishmachines.com)

[Buy Parts](#)

# TABLE OF CONTENTS

## MODEL CMA-L-1C

|   |          |
|---|----------|
| <b>1. PARTS MANUAL .....</b>              | <b>3</b> |
| 1.1. INITIAL PARTS KIT (P/N 4001.50)..... | 3        |
| 1.2. OPTIONAL SANI ALARM .....            | 4        |
| 1.3. EXPLODED VIEW DRAWINGS.....          | 5        |
| 1.3.1. Cabinet Assembly .....             | 5        |
| 1.3.2. L-1C Door Assembly .....           | 6        |
| 1.3.3. Spray System Assembly.....         | 7        |
| 1.3.4. Pump Assembly.....                 | 8        |
| 1.3.5. Plumbing System Assembly.....      | 9        |
| 1.3.6. Drain System Assembly.....         | 10       |
| 1.3.7. Control Panel .....                | 11       |
| 1.3.8. Electrical Panel.....              | 12       |
| 1.3.9. Peristaltic Pump Assembly .....    | 13       |
| 1.3.10. Drain Valve .....                 | 14       |

## 1. Parts Manual

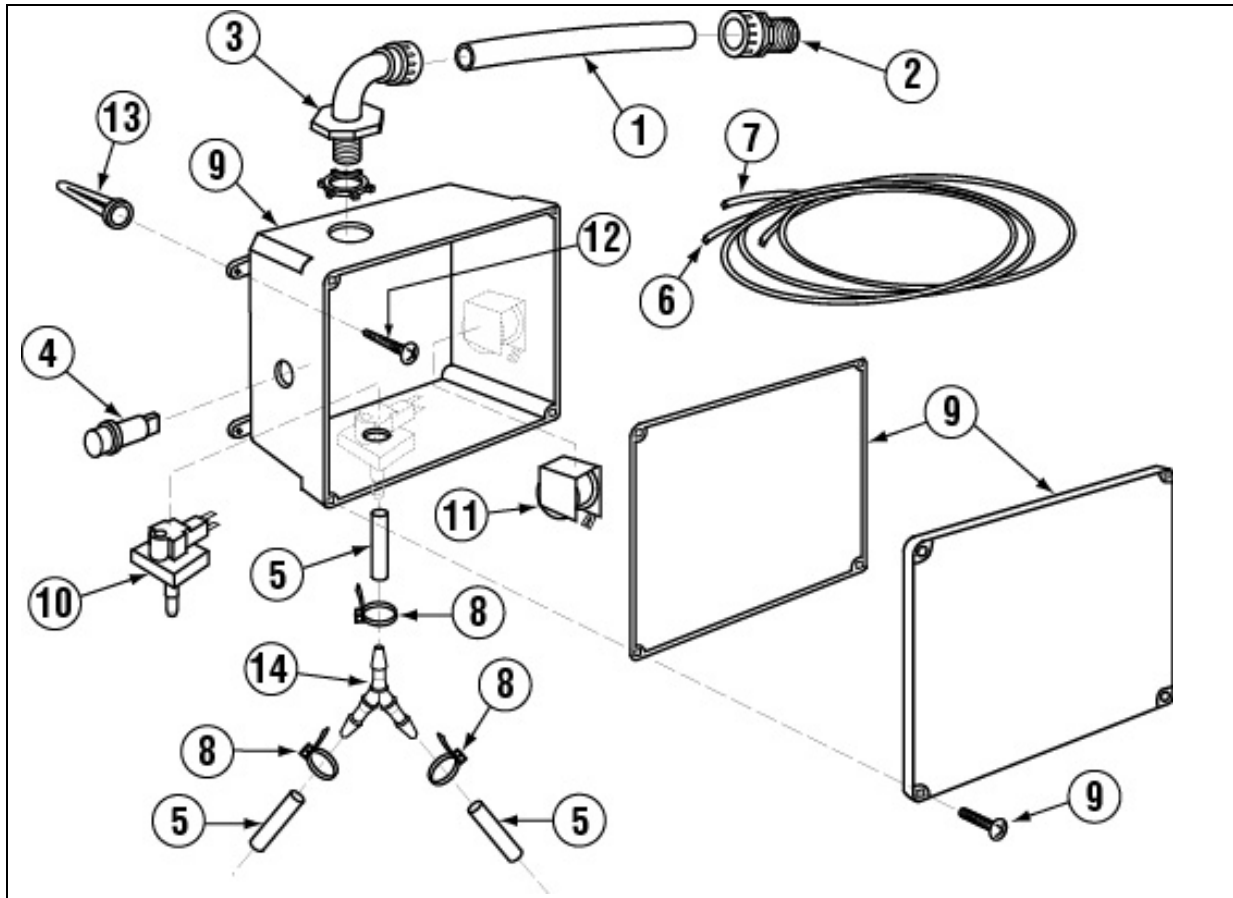
### 1.1. *Initial Parts Kit (P/N 4001.50)*

| P/N      | DESCRIPTION                          | Qty    |
|----------|--------------------------------------|--------|
| 00120.02 | Bi Metal Thermometer 1.5"            | 1      |
| 00200.24 | Pump Assy, 110/220V 60 Hz, Open      | 1      |
| 00206.30 | Pump Seal Kit                        | 1      |
| 00208.40 | Slip Joint Nut Gasket                | 1      |
| 00307.10 | Spray Arm Assy. L1X-GLX/L1C          | 1      |
| 00404.82 | Motor Contactor 115V,20 Amp          | 1      |
| 00411.00 | Micro Switch                         | 1      |
| 00415.00 | Peristaltic Pump Assembly, 115V/60Hz | 1      |
| 00425.21 | Chemical Tubing Blue                 | 50 ft. |
| 00425.23 | Chemical Tubing Red                  | 50 ft. |
| 00425.24 | Chemical Tubing White                | 50 ft. |
| 00470.00 | Toggle Switch DPDT Momentary         | 1      |
| 00470.10 | Toggle Switch Rubber Boot            | 1      |
| 00501.00 | Timer Motor, 2-Minute                | 1      |
| 00631.00 | Ice Cube Relay 115V                  | 1      |
| 00707.00 | ½ Water Solenoid Repair Kit JE       | 1      |
| 00715.00 | 1/2 Ball Check Valve                 | 1      |
| 02257.00 | Squeeze Tube 8" Norprene             | 1      |
| 02257.22 | Squeeze Tube 22" Norprene For L-1X   | 1      |
| 03415.00 | Chemical Tube Bulkhead               | 1      |
| 03415.20 | Sani Bulkhead Fitting Assy.          | 1      |
| 03475.00 | Toggle Switch DPDT 16A               | 1      |
| 03476.00 | Push Button Switch Rubber Boot       | 1      |
| 04111.00 | Sump Screen                          | 1      |
| 04113.00 | L-1C Drain Valve, 120V               | 1      |
| 04517.15 | Door Stop Undercounter (Parallel)    | 1      |
| 15524.00 | Power Switch Red 115V                | 1      |

**NOTE:** CMA recommends that the initial parts kit be kept on hand as a back up supply of critical parts in the event your machine should require emergency service. All the parts included in this kit are unique to the L-1C dishmachine.

## 1.2. Optional Sani Alarm

Part Number 12508.00



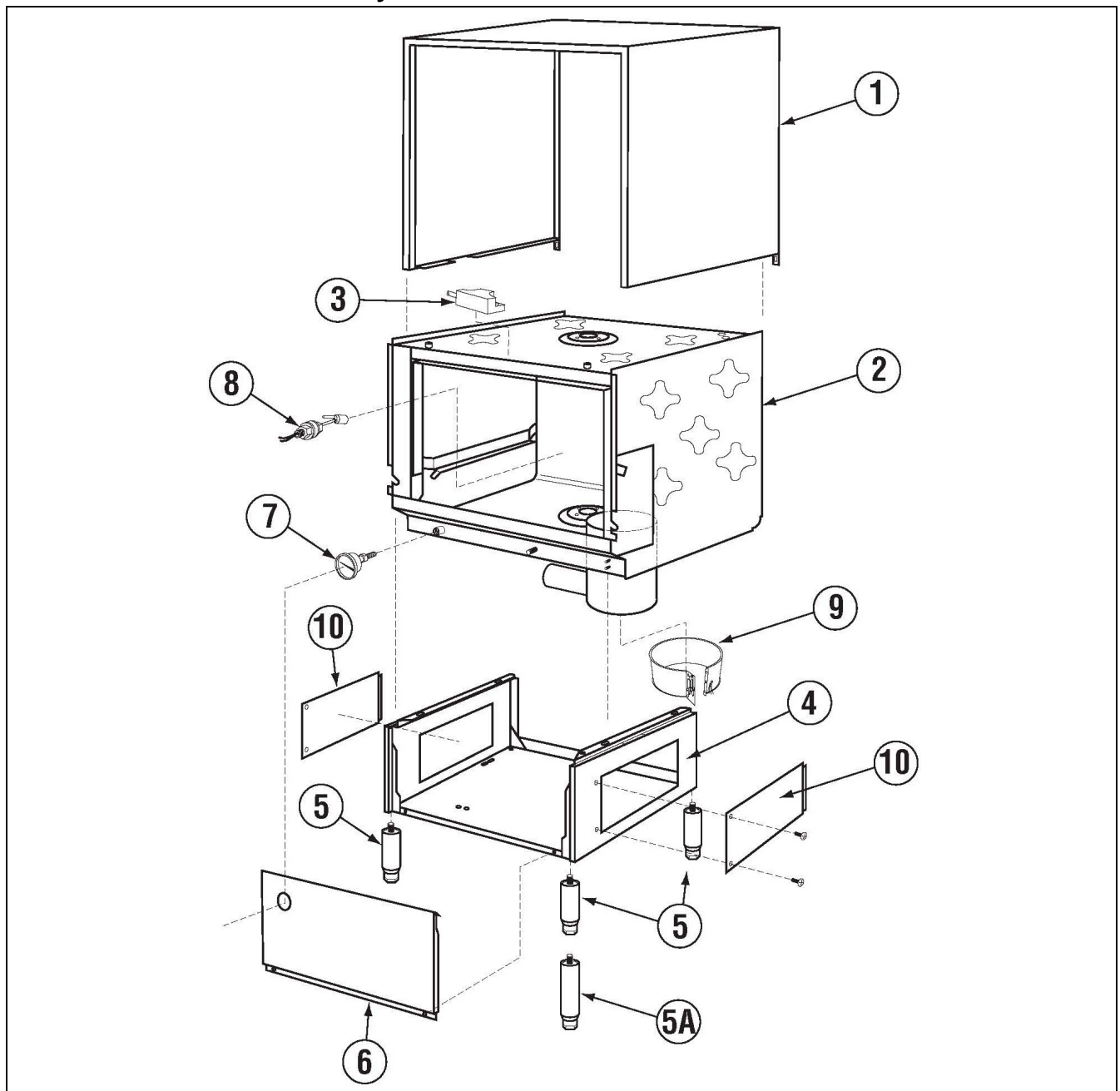
**Exploded View**

| ITEM NO. | NO. REQ'D | P/N      | DESCRIPTION                          |
|----------|-----------|----------|--------------------------------------|
| 1        | 3         | 00400.00 | Conduit, 3/8" Sealtite               |
| 2        | 1         | 00401.00 | S.T. 3/8" Straight Connector         |
| 3        | 1         | 00402.00 | S.T. 90 Degree 3/8" Connector        |
| 4        | 1         | 00406.00 | Control Box Light, .5" Diameter, Red |
| 5        | 1         | 00435.00 | Squeeze Tube, 8"                     |
| 6        | AR        | 00521.00 | Wire, 18 Gauge, Orange, 6 ft.        |
| 7        | 1         | 00531.00 | Wire, 18 Gauge, White, 6 ft.         |

| ITEM NO. | NO. REQ'D | P/N      | DESCRIPTION                       |
|----------|-----------|----------|-----------------------------------|
| 8        | 5         | 00931.00 | Wire Tie, Small                   |
| 9        | 1         | 12510.00 | Sanitizer Alarm Box Assembly      |
| 10       | 1         | 12511.50 | Sanitizer Low Level Vacuum Switch |
| 11       | 1         | 12512.00 | Sanitizer Alarm Buzzer, 120 Volts |
| 12       | 4         | 40126.10 | #10 x 3/4" Sheet metal Screw      |
| 13       | 4         | 40127.00 | Wall Anchors                      |
| 14       | 1         | 00426.00 | Y Hose Connector, 3/16"           |

## 1.3. Exploded View Drawings

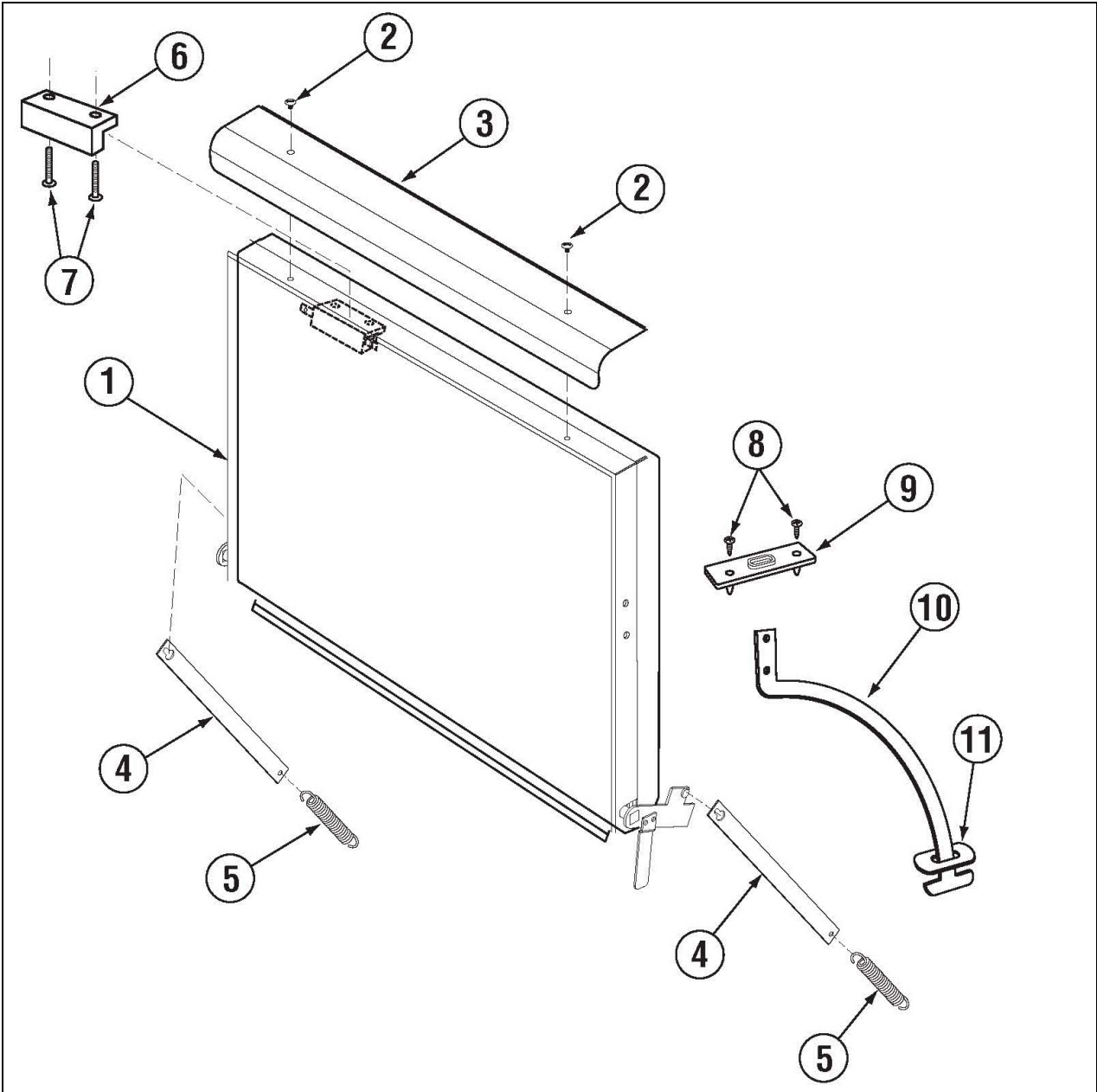
### 1.3.1. Cabinet Assembly



| ITEM NO. | NO. REQ'D | P/N      | DESCRIPTION      |
|----------|-----------|----------|------------------|
| 1        | 1         | 05967.00 | L1C-NST Wrapper  |
| 2        | 1         | 05968.00 | L1C-NST Body     |
| 3        | 1         | 00556.10 | Reed Switch      |
| 4        | 1         | 05963.00 | L1C-NST Base     |
| 5        | 4         | 01146.50 | 4"Leg            |
| 5A       | 4         | 01146.00 | 6"Leg (optional) |

| ITEM NO. | NO. REQ'D | P/N      | DESCRIPTION         |
|----------|-----------|----------|---------------------|
| 6        | 1         | 05966.00 | L1C-NST Front Panel |
| 7        | 1         | 00120.02 | BiMetal Thermometer |
| 8        | 1         | 13463.10 | Liquid Level Switch |
| 9        | 1         | 04109.11 | Sump Heater         |
| 10       | 2         | 05902.20 | Stand Panel         |

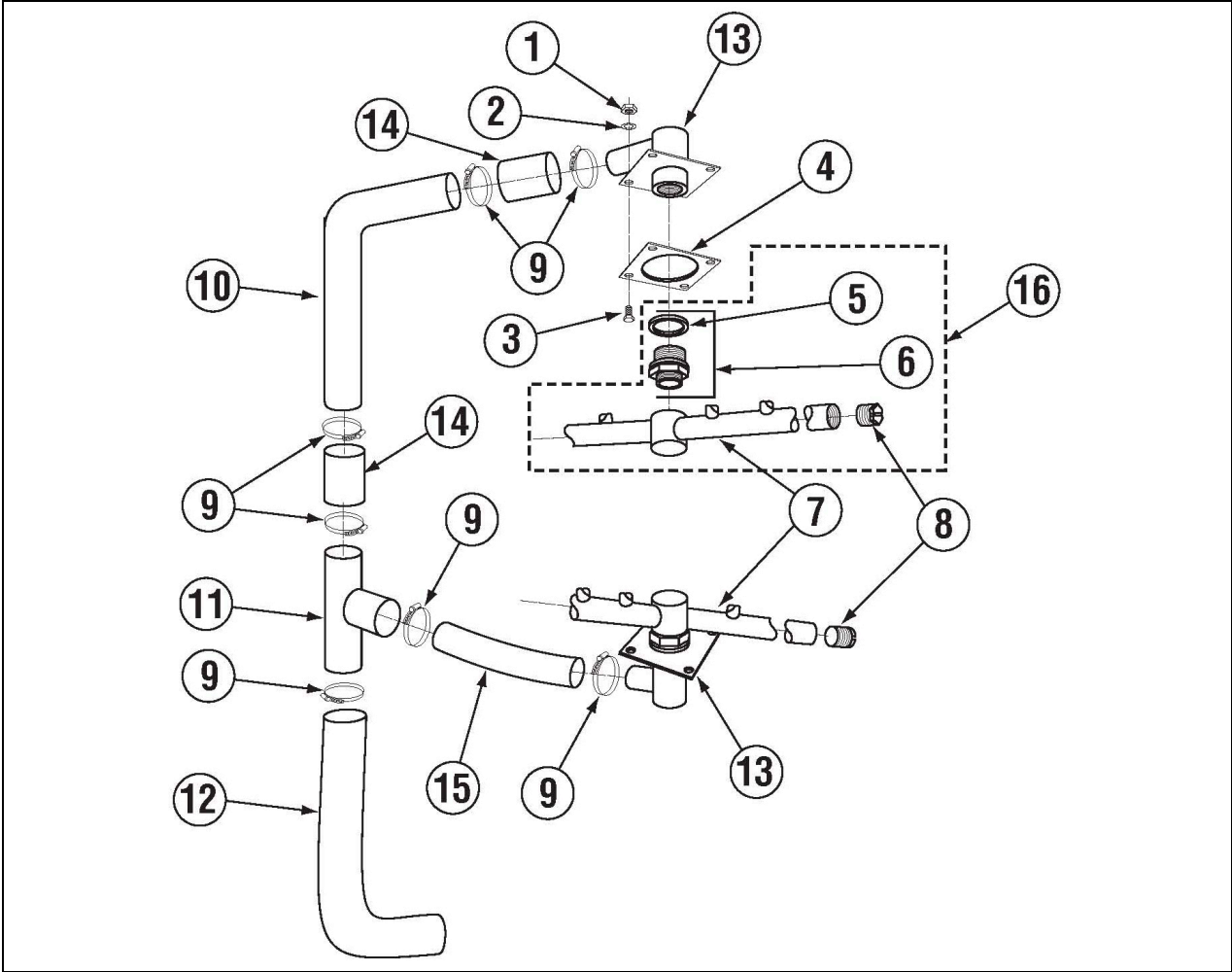
**1.3.2. L-1C Door Assembly**



| ITEM NO. | NO. REQ'D | P/N      | DESCRIPTION                   |
|----------|-----------|----------|-------------------------------|
| 1        | 1         | 05964.10 | L-1C NST Door for Rods        |
| 2        | 2         | 00940.50 | 10-32 X 3/8 Truss Head Screw  |
| 3        | 1         | 05965.00 | L-1C NST Door Handle          |
| 4        | 2         | 05913.00 | L-1C Door Spring Arm          |
| 5        | 2         | 05932.00 | Energy Miser L-1C Door Spring |
| 6        | 1         | 00556.60 | Reed Switch Magnet            |

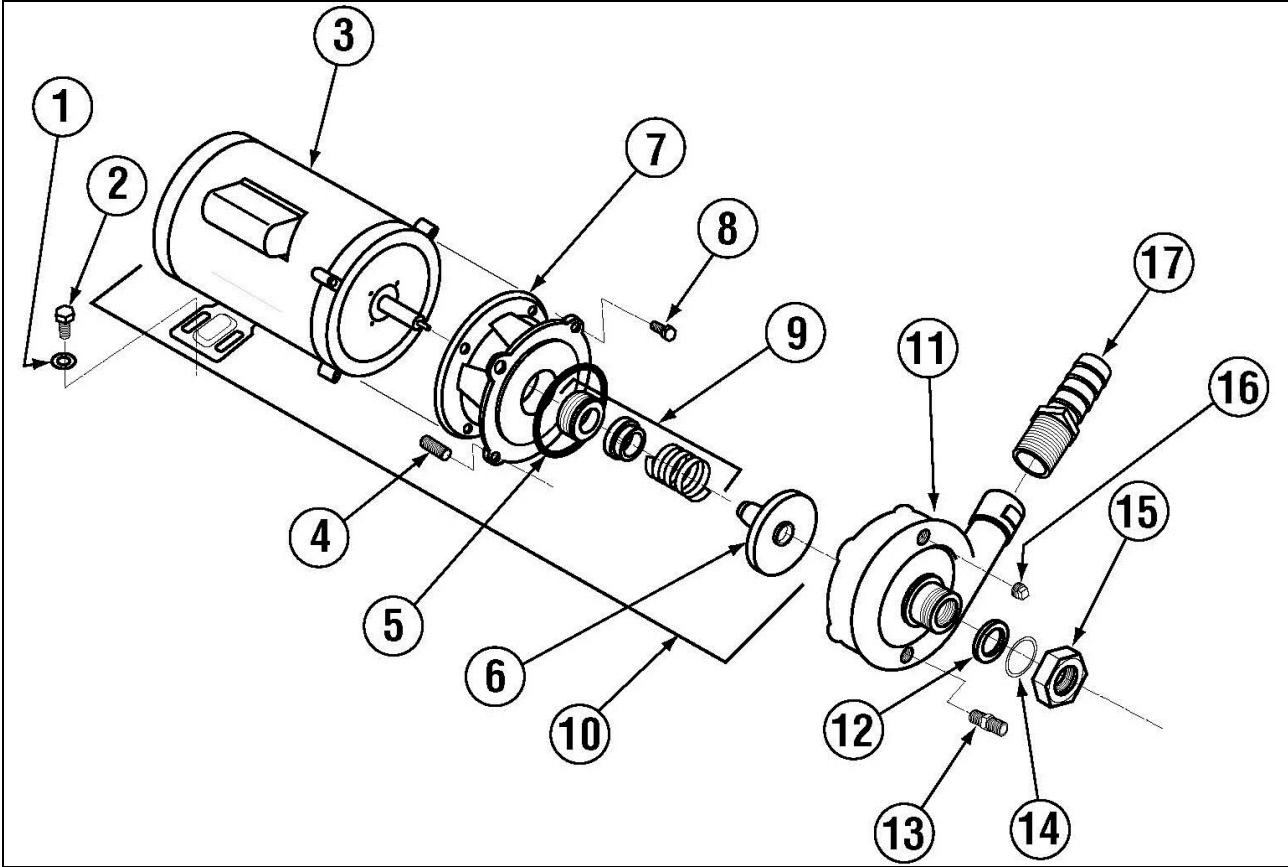
| ITEM NO. | NO. REQ'D | P/N      | DESCRIPTION                       |
|----------|-----------|----------|-----------------------------------|
| 7        | 1         | 00911.00 | 8-32 X 1/2 Panhead Screw          |
| 8        | 4         | 02100.79 | Philip Panhead Screw 6X3/8,type A |
| 9        | 2         | 02100.80 | Door Rod Slide                    |
| 10       | 2         | 02821.00 | Door Rod                          |
| 11       | 2         | 02823.00 | Door Rod Washer                   |

**1.3.3. Spray System Assembly**



| ITEM NO. | NO. REQ'D | P/N      | DESCRIPTION                    |
|----------|-----------|----------|--------------------------------|
| 1        | 8         | 00912.00 | 1/4"-20 Nylon Lock Nut         |
| 2        | 16        | 00924.00 | 1/4" SS Washer                 |
| 3        | 8         | 00929.00 | 1/4"-20 x 3/4" Truss Head Bolt |
| 4        | 2         | 04306.00 | Square Manifold Gasket         |
| 5        | 2         | 04305.10 | Silicon Gasket                 |
| 6        | 2         | 04303.00 | L-1C Spray Arm Bearing         |
| 7        | 2         | 00304.04 | Spray Arm                      |
| 8        | 4         | 00308.50 | Spray Arm End Plug             |
| 9        | 6         | 03101.00 | Hose Clamp #16 1"              |
| 10       | Ft        | 05939.50 | L-1C Manifold Pipe SS          |
| 11       | 1         | 05936.00 | Energy Mizer L-1C Tee 1"X1"X1" |
| 12       | 1         | 03109.00 | Drain Hose 90Deg 1"            |
| 13       | 2         | 05930.00 | Energy Mizer L-1C Spray Base   |
| 14       | 2         | 03108.67 | Transfer Hose 1" Reinforced 2" |
| 15       | 2         | 03108.60 | Transfer Hose 1" Reinforced    |
| 16       | 1         | 00307.10 | Spray Arm Assy L1X/GL-X        |

**1.3.4. Pump Assembly**

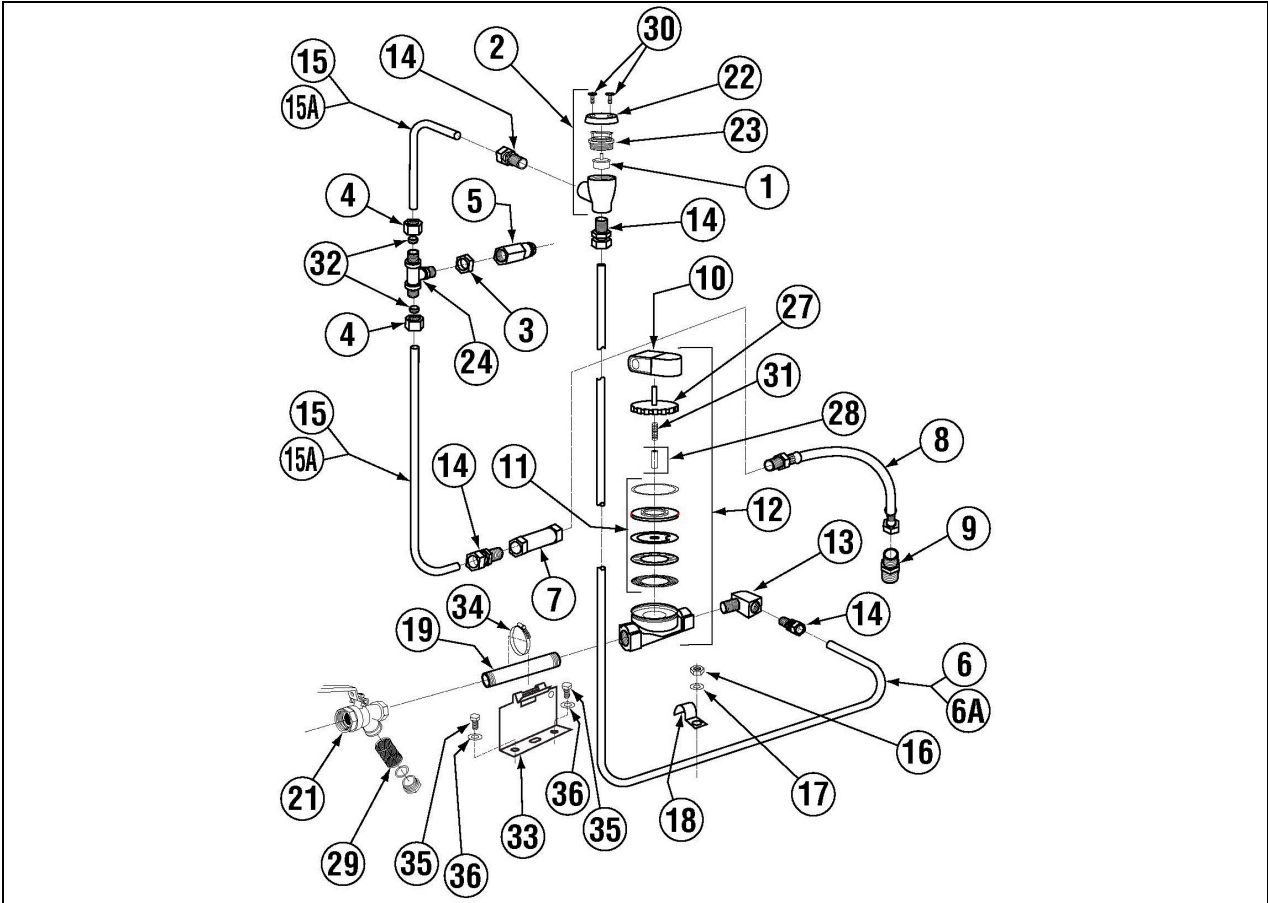


| ITEM NO. | NO. REQ'D | P/N      | DESCRIPTION                     |
|----------|-----------|----------|---------------------------------|
| 1        | 4         | 00924.00 | 1/4" SS Washer                  |
| 2        | 4         | 00906.00 | 1/4"-20 x 1/2" Hex Head Bolt    |
| 3        | 1         | 00201.00 | Water Pump Motor 1 HP           |
| 4        | 2         | 00975.00 | 3/8"-16 x 1 1/2" SS Stud        |
| 5        | 1         | 03226.00 | Pump "O" Ring Gasket            |
| 6        | 1         | 00203.40 | Impeller Closed Domestic 4" S/S |
| 7        | 1         | 03224.00 | Pump Base (Mount)               |
| 8        | 8         | 00921.00 | 3/8"-16 x 3/4" Hex Bolt         |
| 9        | 1         | 00206.30 | Pump Seal Kit New (11/07)       |

| ITEM NO. | NO. REQ'D | P/N      | DESCRIPTION                          |
|----------|-----------|----------|--------------------------------------|
| 10       | 1         | 00200.24 | Includes Items 3, 5, 6, 7, and 9     |
| 11       | 1         | 04206.30 | Pump cover                           |
| 12       | 1         | 00208.40 | Slip Joint Nut O Ring Gasket Buna    |
| 13       | 1         | 00214.50 | 1/2" Comp x 3/8" MIP Adapter         |
| 14       | 1         | 00208.21 | Slip Joint Nut Friction Ring Plastic |
| 15       | 1         | 04204.00 | Compression Nut 2.5"                 |
| 16       | 1         | 00238.00 | 3/8" Male Plug                       |
| 17       | 1         | 50302.06 | 1" MIP x 1" Barb PVC                 |



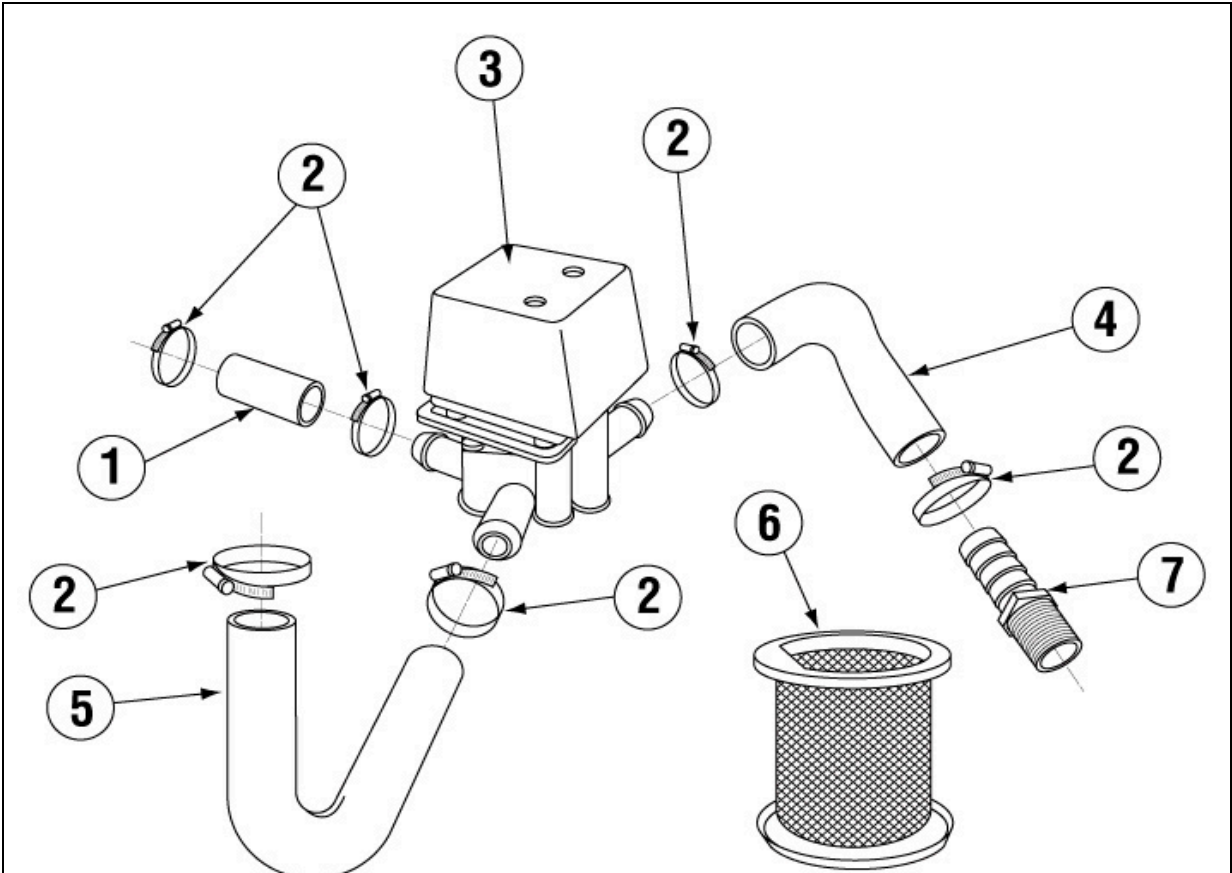
**1.3.5. Plumbing System Assembly**



| ITEM NO. | NO. REQ'D | P/N      | DESCRIPTION                        |
|----------|-----------|----------|------------------------------------|
| 1        | 1         | 03623.00 | 1/2" Vac. Brkr Repair Kit – WATTS  |
| 2        | 1         | 03624.00 | 1/2" Vacuum Breaker – WATTS        |
| 3        | 2         | 00721.00 | 1/2" Jamb Nut                      |
| 4        | 2         | 00770.10 | 5/8 Compression Fitting Nut        |
| 5        | 1         | 00748.00 | 1/2" Sprinkler Head Assembly       |
| 6        | 1         | 04605.00 | L-1X "U" Tube                      |
| 6A       | 1         | 04605.60 | L-1X 16"U" Tube                    |
| 7        | 1         | 00715.00 | Ball Check Valve                   |
| 8        | 1         | 00798.00 | SS Braided Hose                    |
| 9        | 1         | 00214.50 | 1/2" Comp x 3/8" MIP FTG           |
| 10       | 4         | 00738.10 | Water Solenoid Coil J/E            |
| 11       | 1         | 00707.00 | 1/2" Water Solenoid Repair Kit J/E |
| 12       | 1         | 03603.10 | 1/2" Water Solenoid Valve J/E      |
| 13       | 1         | 00745.00 | 1/2" 90 Degree Street Elbow        |
| 14       | 6         | 00760.00 | 5/8" Comp. X 1/2" MIP Adapter      |
| 15       | 1         | 04606.00 | L-1X "L" Tube                      |
| 15A      | 1         | 04606.60 | L-1X16 "L" Tube                    |
| 16       | 1         | 00915.00 | 1/4"-20 Hex Nut                    |
| 17       | 1         | 00924.00 | 1/4" SS Washer                     |

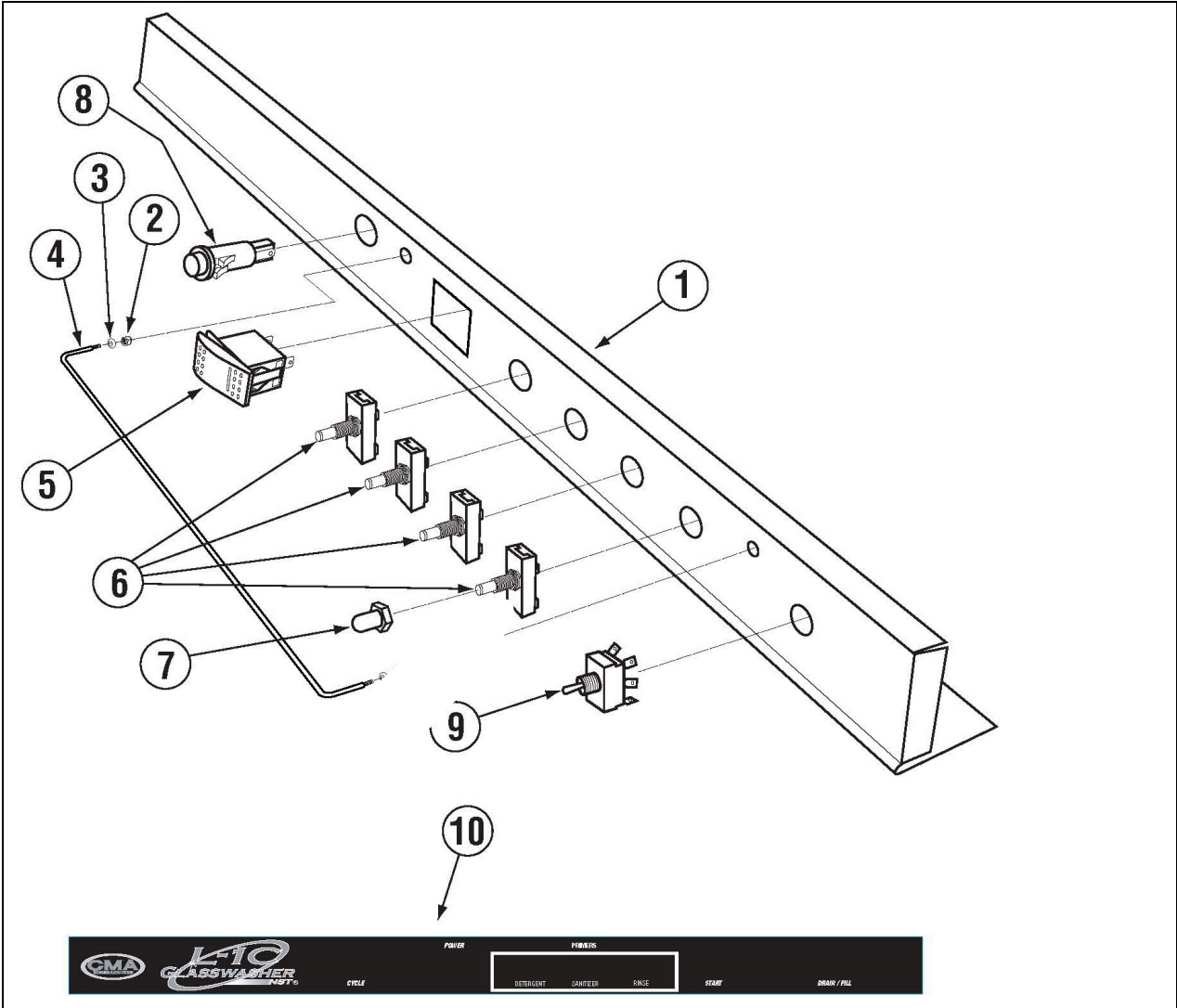
| ITEM NO. | NO. REQ'D | P/N      | DESCRIPTION                           |
|----------|-----------|----------|---------------------------------------|
| 18       | 1         | 00725.50 | 1/2" Plumbing Strap                   |
| 19       | 1         | 00747.10 | Nipple Brass 1/2" x 5"                |
| 20       | 1         | 03602.50 | 1/2" Y Strainer – Optional            |
| 21       | 1         | 41062.00 | 1/2 Strainer Ball Valve               |
| 22       | 1         | 00739.50 | Vacuum Breaker Cap SS                 |
| 23       | 1         | 03624.25 | Vacuum Breaker Bonnet Brass           |
| 24       | 1         | 00743.12 | Tee 1/2C x 1/2C x 1/2 Male            |
| 25       | 1         | 00742.00 | Nipple Brass 1/2" x 1-1/2" (Optional) |
| 26       | 1         | 00744.00 | Nipple Brass 1/2" x 2" (Optional)     |
| 27       | 1         | 03603.20 | 1/2" Water Solenoid Bonnet            |
| 28       | 1         | 00786.00 | Water Solenoid Valve Plunger          |
| 29       | 1         | 41062.10 | ^ 1/2 Ball Valve Strainer Only        |
| 30       | 2         | 00970.40 | 6-32 x 1/4" Phillips Pan Head Screw   |
| 31       | 1         | 00706.10 | Plunger Spring Only                   |
| 32       | 2         | 00770.20 | 5/8 Compression Fitting Ring          |
| 33       | 1         | 14508.50 | Plumbing Bracket                      |
| 34       | 1         | 03101.45 | Hose Clamp #4 Size #002 SS            |
| 35       | 1         | 00940.50 | 10-32 X 3/8 Truss Head Screw          |
| 36       | 1         | 03801.60 | 10-32 KEPS Lock Nut                   |

**1.3.6. Drain System Assembly**



| ITEM NO. | NO. REQ'D | P/N      | DESCRIPTION                       |
|----------|-----------|----------|-----------------------------------|
| 1        | 2         | 04105.00 | Pump Hose 6.5"                    |
| 2        | 8         | 03101.00 | 1" Hose Clamp #16                 |
| 3        | 1         | 04103.00 | L-1X Drain Valve (Depend-O-Drain) |
| 4        | 1         | 03108.51 | 1" Goose Neck Drain Hose          |
| 5        | 1         | 03109.00 | Drain Hose 90DEG 1"               |
| 6        | 1         | 04111.00 | Sump Screen                       |
| 7        | 1         | 50302.06 | 1" MIP x 1" Barb PVC              |

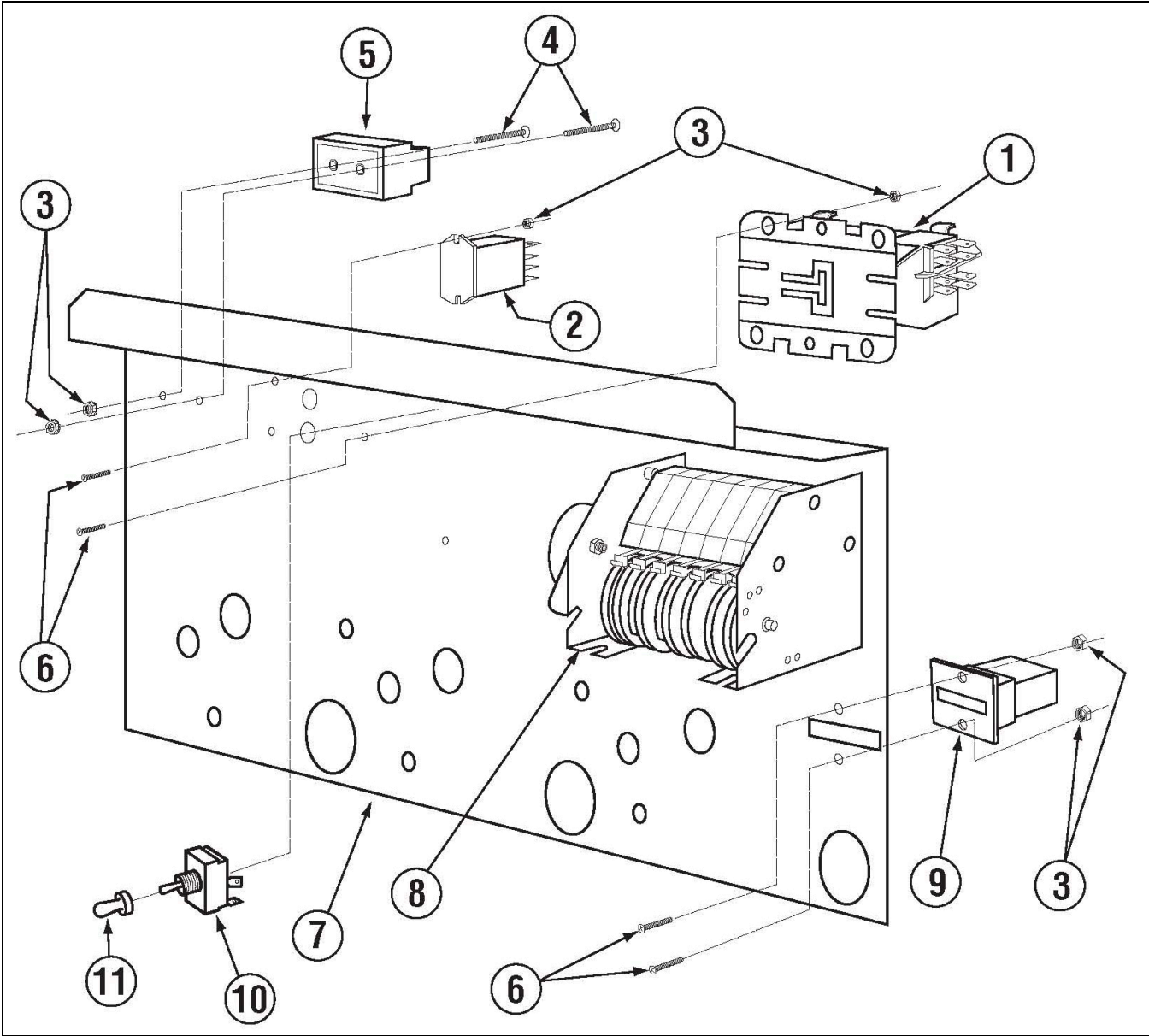
**1.3.7. Control Panel**



| ITEM NO. | NO. REQ'D | P/N      | DESCRIPTION                  |
|----------|-----------|----------|------------------------------|
| 1        | 1         | 05960.00 | L1C-NST Panel Fascia         |
| 2        | 2         | 03801.00 | 10-32 Lock Nut               |
| 3        | 2         | 04806.00 | #10 Brass Washer             |
| 4        | 1         | 03485.00 | Switch Guard                 |
| 5        | 1         | 15524.00 | Power Rocker Switch Red 115V |

| ITEM NO. | NO. REQ'D | P/N      | DESCRIPTION                      |
|----------|-----------|----------|----------------------------------|
| 6        | 4         | 03475.00 | Primer Switch Push Button 15 Amp |
| 7        | 4         | 03476.00 | Rubber Boot                      |
| 8        | 1         | 00406.00 | Control Box Light .5" D Red      |
| 9        | 1         | 00470.00 | Toggle switch DPDT Momentary     |
| 10       | 1         | 06231.73 | L1C-NST Panel Label (2013)       |

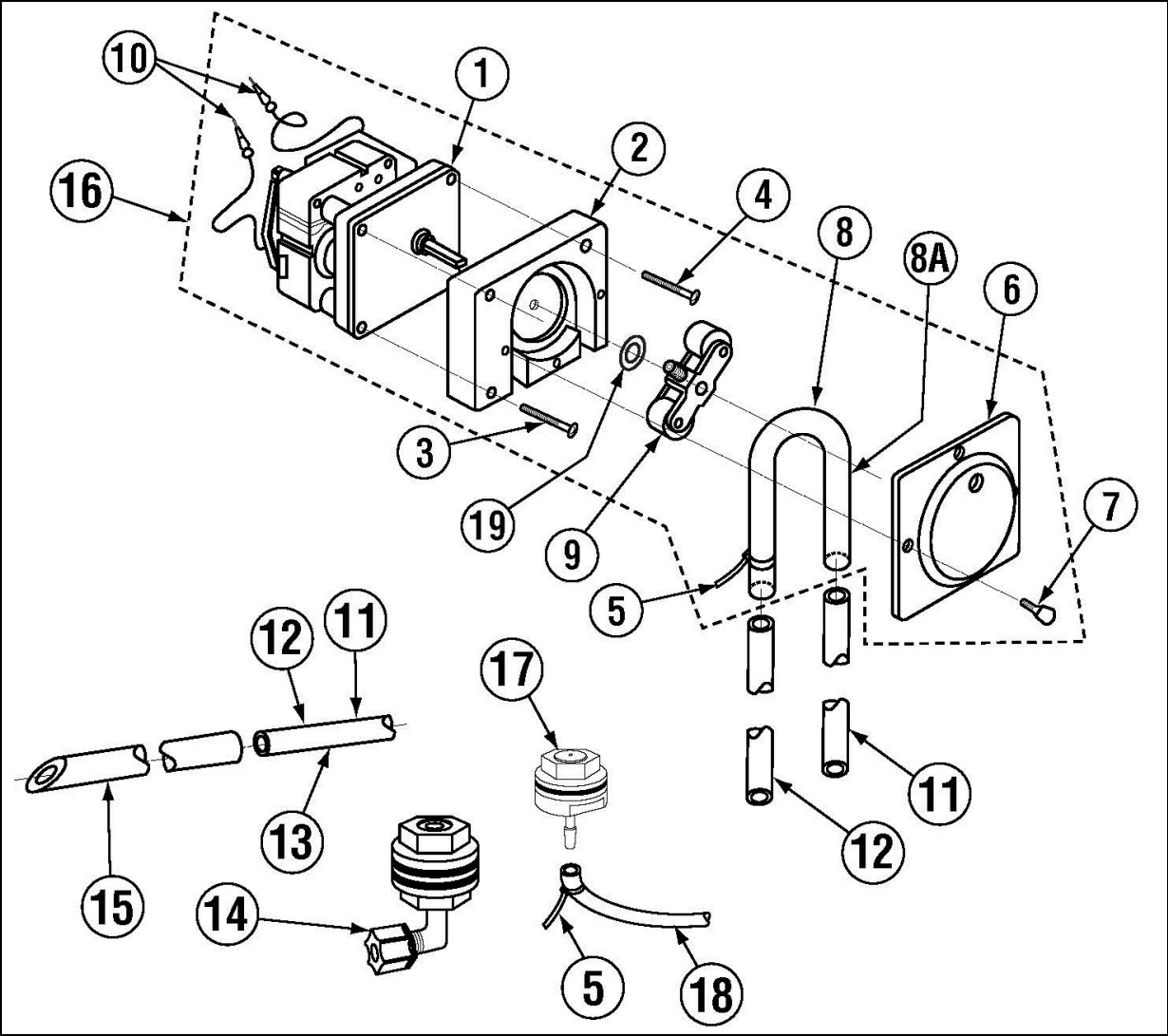
**1.3.8. Electrical Panel**



| ITEM NO. | NO. REQ'D | P/N      | DESCRIPTION                     |
|----------|-----------|----------|---------------------------------|
| 1        | 1         | 00404.82 | Contactor Relay                 |
| 2        | 1         | 00631.00 | Ice Cube Relay                  |
| 3        | 10        | 00916.00 | 6-32 PM Nut                     |
| 4        | 2         | 01001.00 | 6-32 X 1 Phillips Panhead Screw |
| 5        | 1         | 15520.50 | Power Block 3 Position          |
| 6        | 8         | 00907.00 | 6-32 X 1/2 SS Panhead Screw     |
| 7        | 1         | 05961.00 | L-1C-NST Control Panel          |

| ITEM NO. | NO. REQ'D | P/N      | DESCRIPTION                   |
|----------|-----------|----------|-------------------------------|
| 8        | 1         | 00408.80 | Timer 2 Minute 8 Cam          |
| 8A       | 8         | 00411.00 | Micro switch (not shown)      |
| 8B       | 1         | 00501.00 | Timer Motor (not shown)       |
| 9        | 1         | 03408.50 | Counter (Panel Mount – Small) |
| 10       | 1         | 00475.70 | Delimer Switch DPDT 20A,2Pos. |
| 11       | 2         | 00470.10 | Rubber Boot                   |

**1.3.9. Peristaltic Pump Assembly**

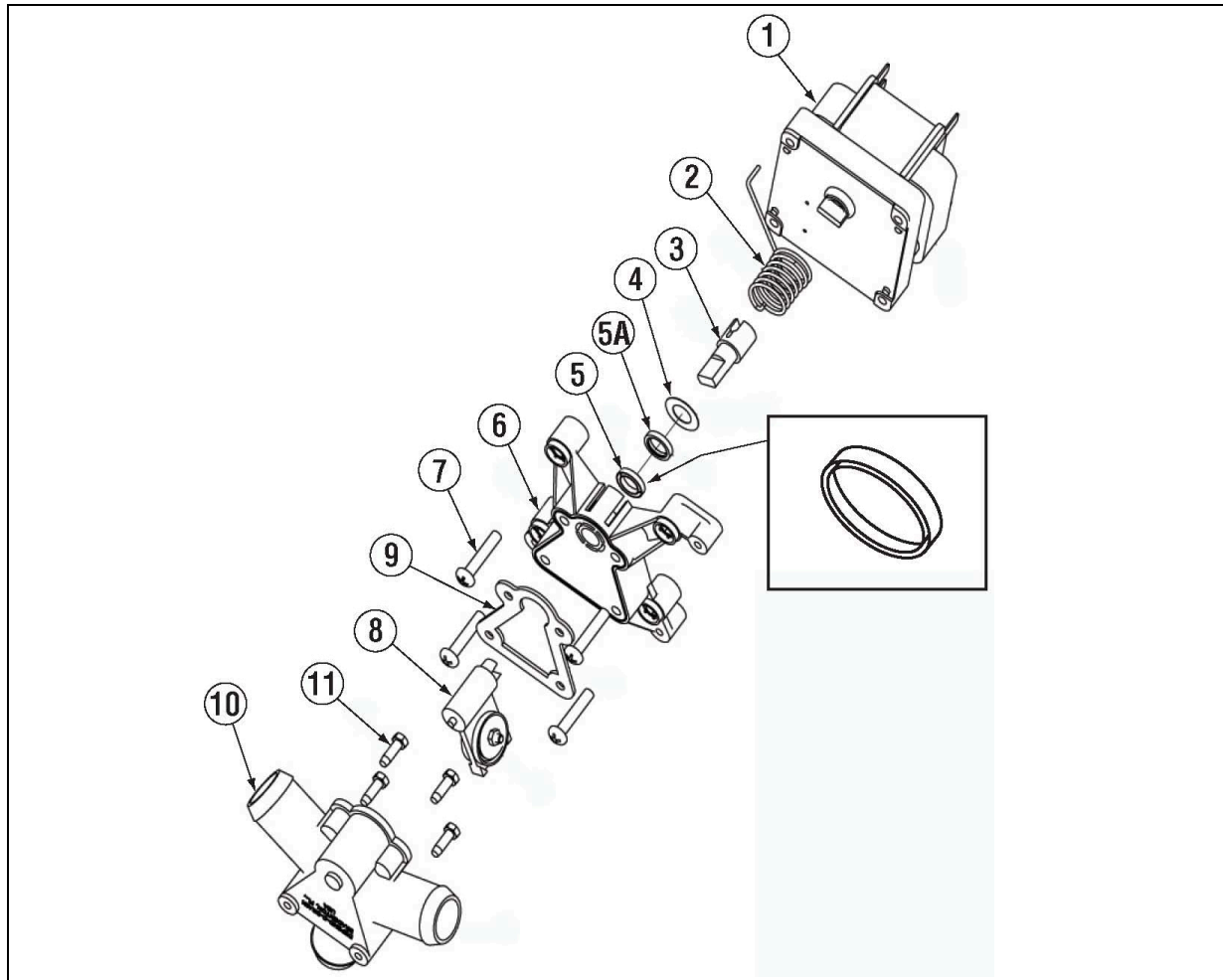


| ITEM NO. | NO. REQ'D | P/N      | DESCRIPTION                       |
|----------|-----------|----------|-----------------------------------|
| 1        | 3         | 00416.00 | Peristaltic Pump Motor            |
| 2        | 3         | 00417.10 | Peristaltic Pump Block (Black)    |
| 3        | 6         | 00919.00 | 10-32 x 1 1/2" Pan Head Screw     |
| 4        | 3         | 00918.00 | 10-32 x 1 1/2" Fillister HD Screw |
| 5        | 6         | 00932.00 | Wire Tie – Large                  |
| 6        | 7         | 00418.00 | Peristaltic Pump Block Cover      |
| 7        | 12        | 00911.00 | 8-32 x 1/2" Pan Head Screw        |
| 8        | 3         | 02257.00 | Squeeze Tube 8" Norprene          |
| 9        | 3         | 00419.00 | Peristaltic Rotor Assembly        |

| ITEM NO. | NO. REQ'D | P/N      | DESCRIPTION                        |
|----------|-----------|----------|------------------------------------|
| 10       | 6         | 00448.00 | Barrel Connector (Male)            |
| 11       | AR        | 00425.51 | Chemical Tubing (Blue)             |
| 12       | AR        | 00425.53 | Chemical Tubing (Red)              |
| 13       | AR        | 00425.54 | Chemical Tubing (White)            |
| 14       | 2         | 03415.00 | Chemical Tube Bulkhead             |
| 15       | 2         | 00443.00 | Tube Stiffener                     |
| 16*      | 1         | 00415.00 | Complete Peristaltic Pump          |
| 17       | 1         | 03415.60 | Bulk Head For Sanitizer            |
| 18       | 1         | 02257.22 | Squeeze Tube 22" Norprene For L-1X |
| 19       | 1         | 00422.50 | Rotor Spacer                       |

\*Item 16 includes items 1-4, 6-10.

## 1.3.10. Drain Valve



| ITEM NO. | NO. REQ'D | P/N      | DESCRIPTION                            |
|----------|-----------|----------|--|
| 1        | 1         | 00104.50 | Drain Motor 120V                       |
| 2        | 1         | 04103.14 | Drain Valve Spring                     |
| 3        | 1         | 04103.20 | Drain Valve Drive Pin                  |
| 4        | 1         | 04103.19 | Drain Valve Washer (Thin) SS           |
| 5        | 1         | 04103.17 | Drain Valve Seal Washer (Rubber)       |
| 5A       | 1         | 04103.23 | Drain Seal Bearing (White Washer)      |
| 6        | 1         | 04113.33 | Drain Valve Housing Cover              |
| 7        | 4         | 04113.18 | Valve Cover Screw                      |
| 8        | 1         | 04113.16 | Drain Valve Hinge/Seal                 |
| 9        | 1         | 04103.15 | Drain Valve Housing Gasket             |
| 10       | 1         | 04113.12 | Drain Valve Housing ( Includes #11&12) |
| 11       | 2         | 04113.21 | Screw #6-32 X 0.625 Flanged Hex        |
| 12       | 2         | 04113.23 | Screw - #6-32 X 1.5" Flanged Hex       |
| 13       | 1         | 04113.13 | Valve Cover Assy. Rectangular          |