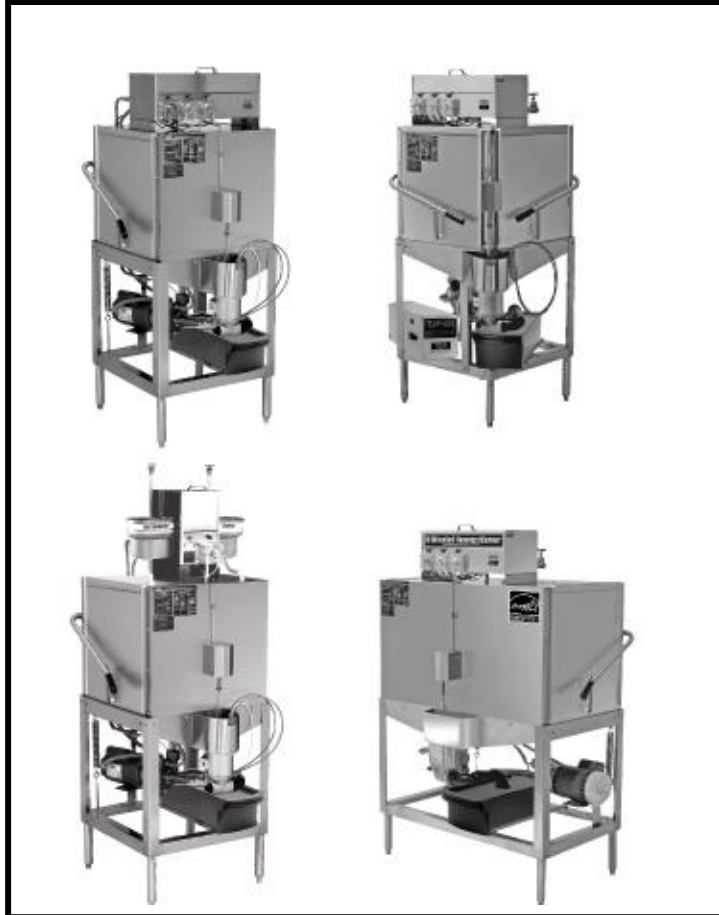




MODELS
AH/B/C/Scullery/Pizza/Bowl
PARTS MANUAL
Rev 1.04B



CMA DISHMACHINES
12700 KNOTT AVENUE
GARDEN GROVE, CALIFORNIA 92841
800-854-6417
FAX 714-895-2141

[Buy Parts](#)

TABLE OF CONTENTS

MODEL AH/B/C/S.

1.	PARTS MANUAL.....	4
1.1.	INITIAL PARTS KIT (P/N 01100.20).....	4
1.2.	EXPLODED VIEW DRAWINGS.....	5
1.2.1.	<i>Cabinet Assembly for Model AH.....</i>	5
1.2.2.	<i>Cabinet Assembly for Model B.....</i>	6
1.2.3.	<i>Cabinet Assembly for Model B Energy Saver.....</i>	7
1.2.4.	<i>Cabinet Assembly for Model CB Right Door Only.....</i>	8
1.2.5.	<i>Cabinet Assembly for Model CB Left Door Only.....</i>	9
1.2.6.	<i>Cabinet Assembly For Model C.....</i>	10
1.2.7.	<i>Control Box Assembly for Model AH, B and C.....</i>	11
1.2.8.	<i>Door Actuator Assembly.....</i>	12
1.2.9.	<i>Door Actuator Assembly for Model C.....</i>	13
1.2.10.	<i>Pump Assembly AH and C.....</i>	14
1.2.11.	<i>Pumps Assemblies For Model B.....</i>	15
1.2.12.	<i>Plumbing System Assembly for Model AH and C.....</i>	17
1.2.13.	<i>Plumbing System Assembly for Model B.....</i>	18
1.2.14.	<i>Spray System Assembly for Model AH.....</i>	19
1.2.15.	<i>Spray System Assembly for Models B/CB.....</i>	20
1.2.16.	<i>Spray System Assembly for Model B/CB Energy Saver.....</i>	21
1.2.17.	<i>Spray System Assembly for Model C.....</i>	22
1.2.18.	<i>Drain System Assembly for Model AH and C.....</i>	23
1.2.19.	<i>Drain System Assembly for Model B.....</i>	24
1.2.20.	<i>Peristaltic Pump Assembly.....</i>	25
1.2.21.	<i>Unique Parts For Scullery AH.....</i>	26
1.2.22.	<i>Unique Parts For Scullery B.....</i>	27
1.2.23.	<i>Unique Parts For Scullery C.....</i>	28
1.2.24.	<i>Unique Parts For Pizza Machines.....</i>	29
1.3.	OPTIONAL SOLID BOWL CMA.....	30
1.4.	OPTIONAL SOLID BOWL SUNBURST CHEMICALS (AH AND C).....	31
1.5.	OPTIONAL SANI ALARM.....	32
1.6.	TEMP-SURE HEATER.....	33

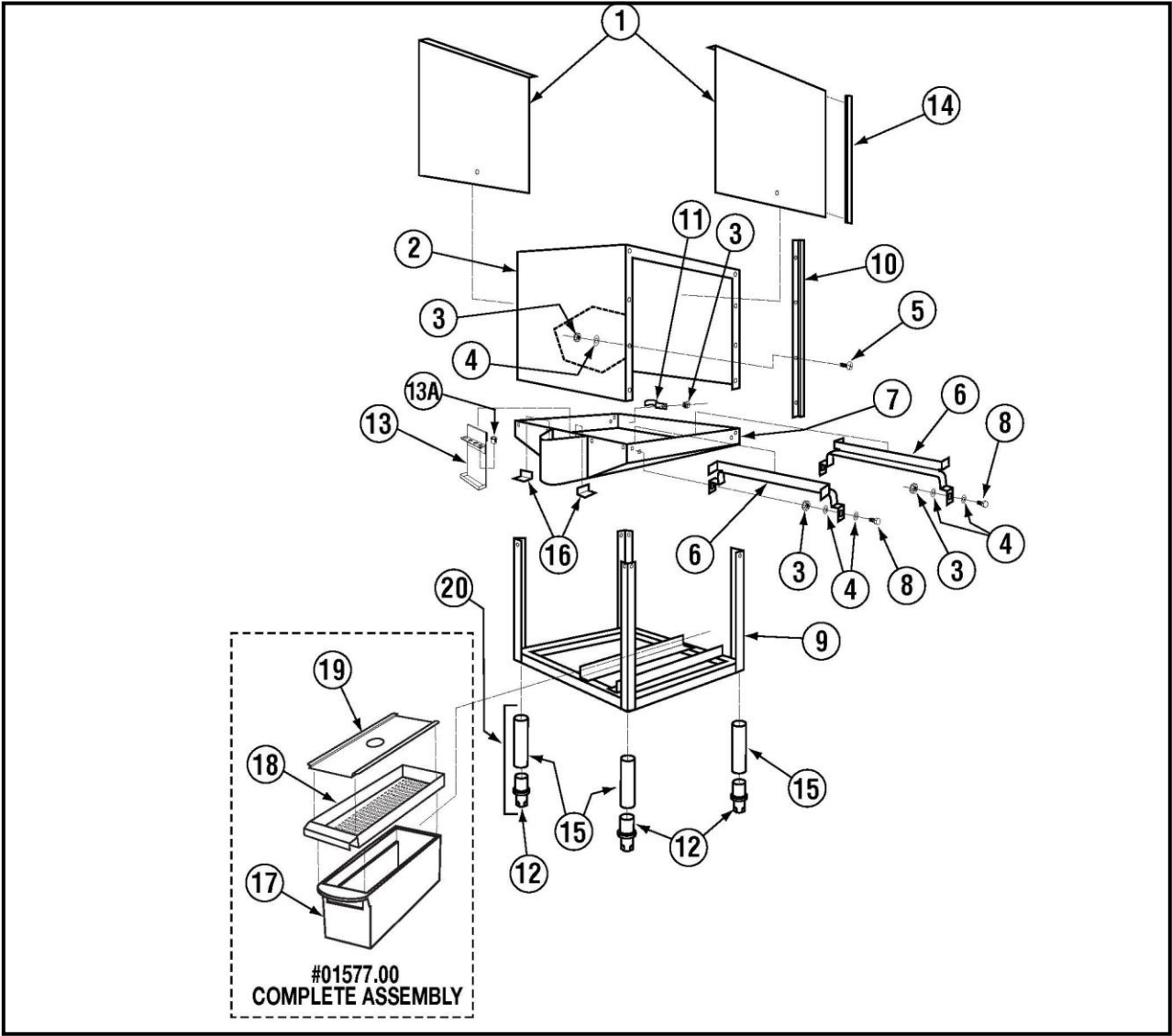
1. Parts Manual

1.1. Initial Parts Kit (P/N 01100.20)

P/N	DESCRIPTION	Qty
00100.40	Drain Ball Solenoid 120V	1
00120.02	Thermometer (Bi Metal)	1
00121.40	Drain Ball	1
00200.10	Pump Assy 110/220V 60Hz (Open)	1
00206.30	Pump Seal Kit	1
00304.04	Spray Arm B L1-C & L-1X	1
00304.07	Spray Arm A & C	1
00308.50	Spray Arm End Plug SS	1
00341.00	Spray Arm Bearing (Cleanable)	1
00363.00	Spray Base Lock Pin	1
00404.82	Motor Contactor 120 VAC	1
00411.00	Micro Switch	1
00415.00	Peristaltic Pump Assy 120V/60Hz	1
00418.00	Peristaltic Pump Cover	1
00421.40	Start/Fill switch	1
00433.00	Master Switch (30 Amp)	1
00500.00	Timer Motor 90 Sec 110V/60Hz	1
00562.00	Roller Door Switch	1
00631.00	Ice Cube Relay 120V	1
00706.00	3/4 Water Solenoid Repair Kit JE	1
00715.00	1/2 Ball Check Valve	1
00735.00	3/4 Vac Breaker Rep Kit Watts	1
00738.10	Solenoid Coil JE 120V (3/4 & 1/2)	1
02257.00	Squeeze Tube 8"	1

1.2. Exploded View Drawings

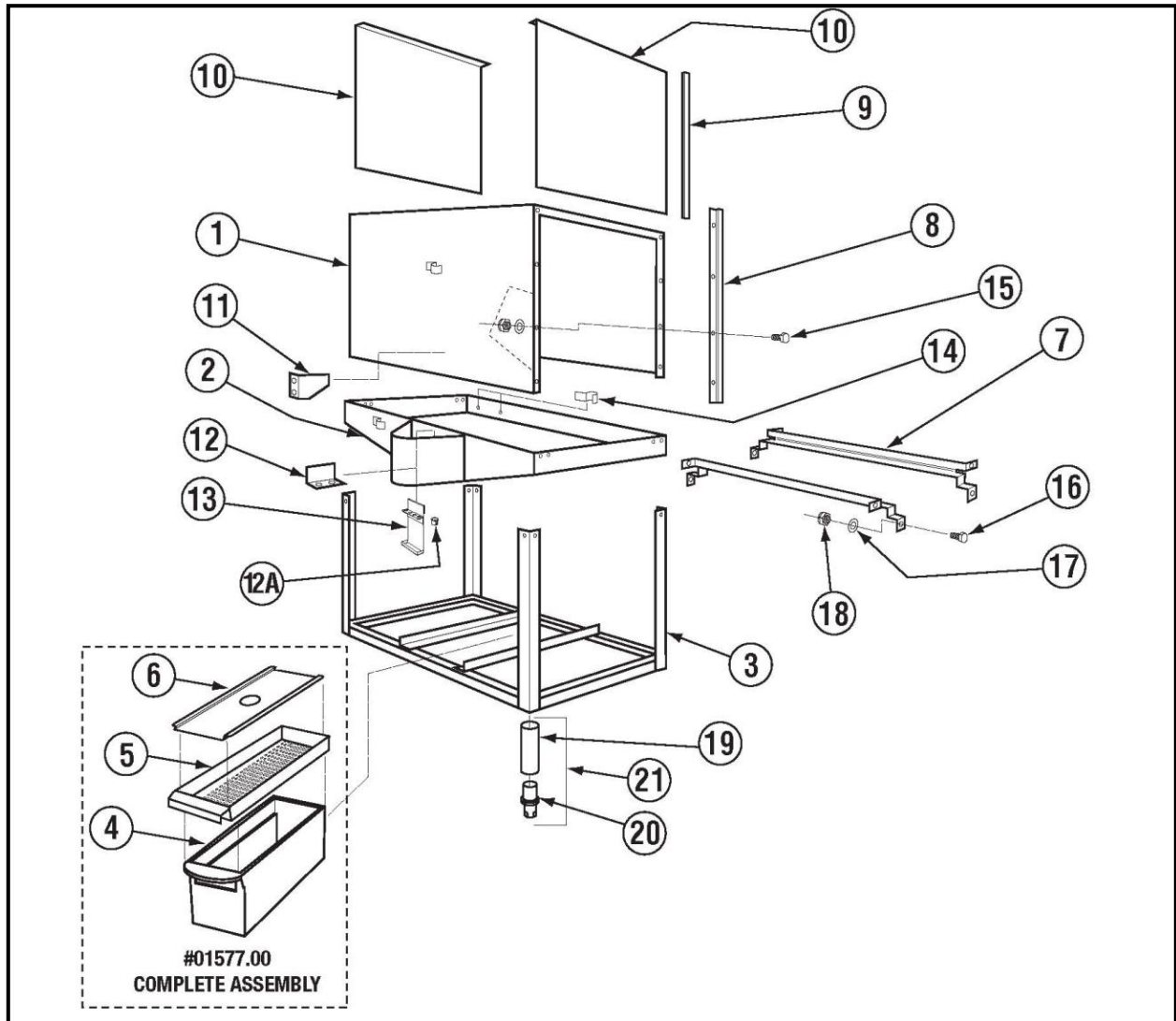
1.2.1. Cabinet Assembly for Model AH



ITEM NO.	NO. REQ'D	P/N	DESCRIPTION
1	2	01506.30	Door
2	1	01530.02	Wrapper
3	33	00912.00	1/4-20 Lock Nut
4	50	00926.00	SS Washer 1/4"
5	16	00905.00	1/4-20 x 1/2" Truss Head Bolt
6	1	01505.02	Tray Track (Set)
7	1	01531.02	Pan
8	17	00906.00	1/4-20 x 1/2" Hex Head Bolt
9	1	01532.52	Frame Stand
10	4	01554.30	EZ Glide Door Guide SS

ITEM NO.	NO. REQ'D	P/N	DESCRIPTION
11	3	00725.50	1/2" Plumbing Strap
12	4	01310.00	Bullet Foot
13	1	01558.20	Chemical Tube Support Bracket
13A	4	00427.00	Line Bracket Snap Bushing
14	4	00636.10	EZ Glide Plastic Guide
15	4	01572.10	SS Leg (A, AH, C, B)
16	2	01571.00	Drain Baffle
17	1	01577.10	Scrap Trap Body Molded
18	1	01577.21	S/S Scrap Trap Drawer
19	1	01577.30	S/S Scrap Trap Lid Molded
20	--	01145.00	Leg Assembly, 10" w/Bullet Foot

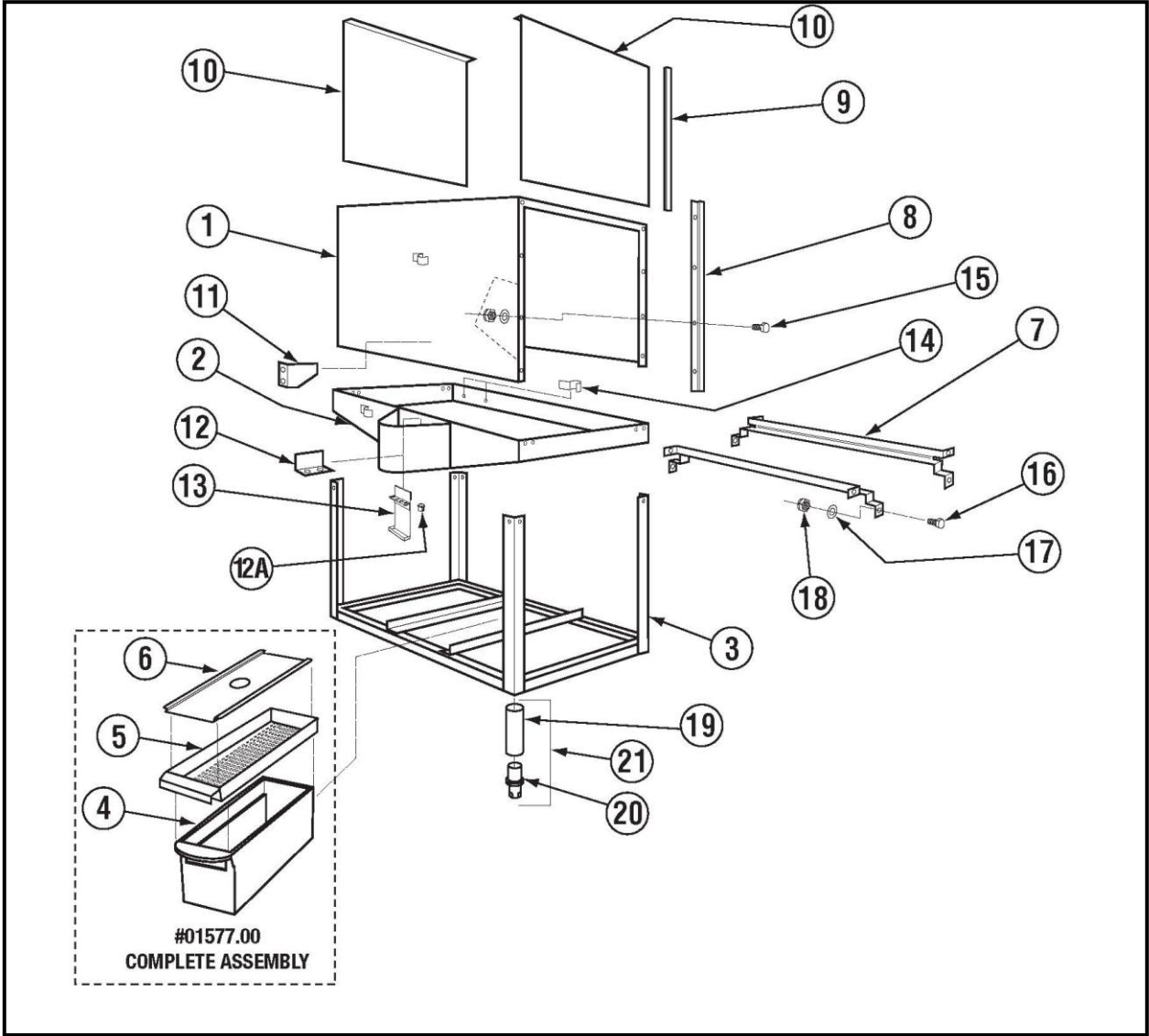
1.2.2. Cabinet Assembly for Model B



ITEM NO.	NO. REQ'D	P/N	DESCRIPTION
1	1	01530.03	Wrapper (TM-B)
2	1	01501.03	Pan Double (B)
3	1	01532.53	Stand TM-B (w/o Legs)
4	1	01577.10	Scrap Trap Body Molded
5	1	01577.21	SS Scrap Trap Drawer
6	1	01577.30	SS Scrap Trap Lid
7	1	01505.03	Tray Track B (Set of 2)
8	4	01554.30	EZ Glide Door Guide SS 21 1/8"
9	4	00636.10	EZ Glide Door Guide (Plastic)
10	2	01506.30	SS Door (A, B, C, M, CMA-44)
11	2	01505.13	Support Bracket for B Tray Track

ITEM NO.	NO. REQ'D	P/N	DESCRIPTION
12	2	01571.00	Drain Baffle
12A	4	00427.00	Snap Bushing 375-4
13	1	01558.20	Chemical Tube Support Bracket
14	3	00725.50	1/2" Plumbing Strap
15	16	00905.00	Trusshead Bolt 1/4"-20 x 1/2"
16	22	00906.00	Hex Head Bolt 1/4"-20 x 1/2"
17	72	00924.00	SS Washer, 1/4"
18	38	00912.00	SS Nylon Lock Nut, 1/4"
19	4	01572.10	SS Leg (A, AH, C, B)
20	4	01310.00	Bullet Foot
21	---	01145.00	Leg Assembly, 10" w/Bullet Foot

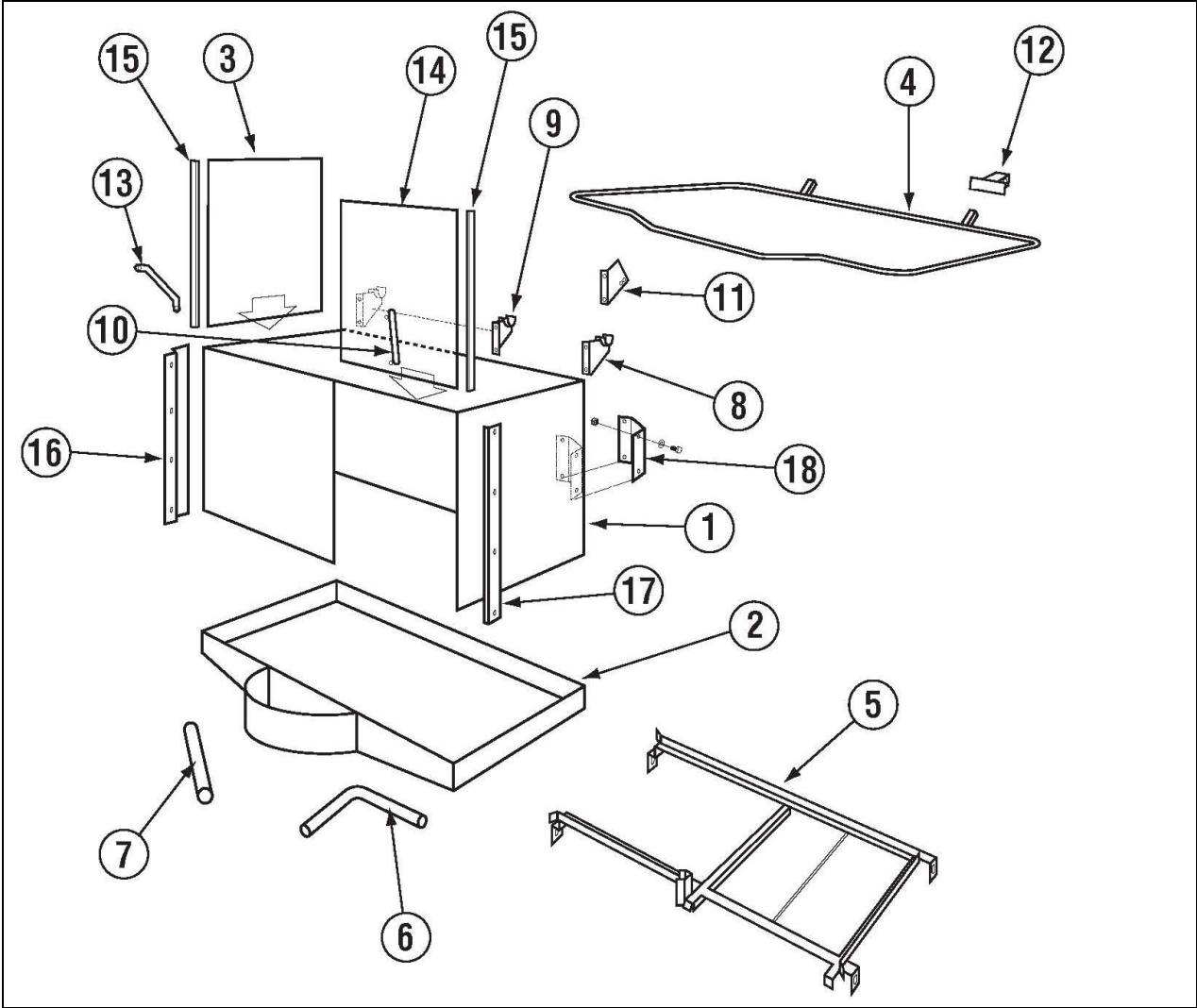
1.2.3. Cabinet Assembly for Model B Energy Saver



ITEM NO.	NO. REQ'D	P/N	DESCRIPTION
1	1	01530.53	ES B Wrapper -Tall
2	1	01501.43	ES-B Pan
3	1	01532.53	Stand TM-B (w/o Legs)
4	1	01577.10	Scrap Trap Body Molded
5	1	01577.21	S/S Scrap Trap Drawer
6	1	01577.30	S/S Scrap Trap Lid
7	1	01505.03	Tray Track B (Set of 2)
8	4	17554.00	CMA-180/Pizza Door Guide 24
9	4	00636.15	EZ Glide Door Guide 25 7/8"
10	2	01506.10	Door (Pizza) Dimple And Stamped
11	2	01505.13	Support Bracket for B Tray Track

ITEM NO.	NO. REQ'D	P/N	DESCRIPTION
12	2	01571.00	Drain Baffle
12A	4	00427.00	Snap Bushing 375-4
13	1	01558.20	Chemical Tube Support Bracket
14	3	00725.50	1/2" Plumbing Strap
15	16	00905.00	Trusshead Bolt 1/4"-20 x 1/2"
16	22	00906.00	Hex Head Bolt 1/4"-20 x 1/2"
17	72	00924.00	SS Washer, 1/4"
18	38	00912.00	SS Nylon Lock Nut, 1/4"
19	4	01572.10	SS Leg (A, AH, C, B)
20	4	01310.00	Bullet Foot
21	---	01145.00	Leg Assembly, 10" w/Bullet Foot

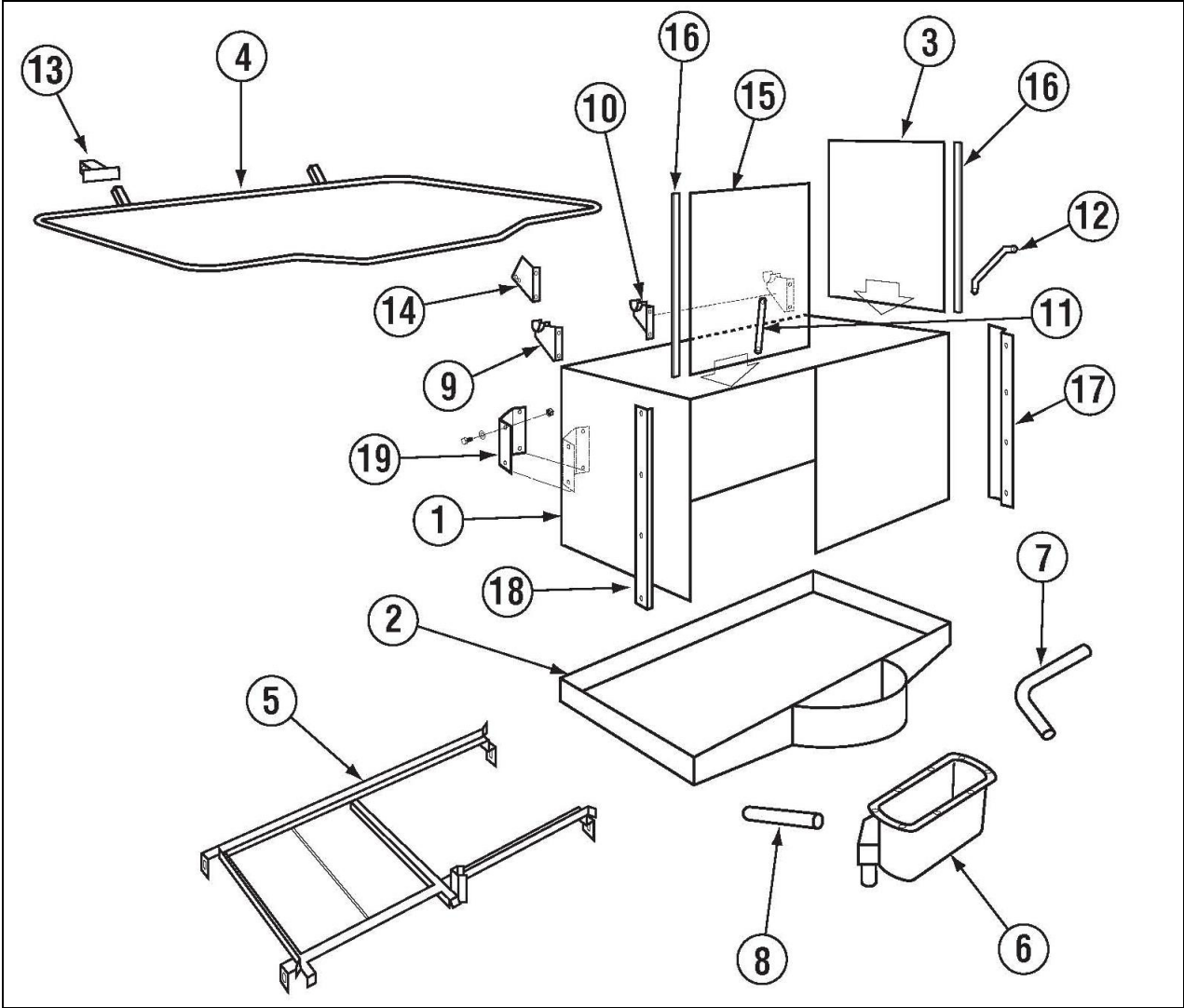
1.2.4. Cabinet Assembly for Model CB Right Door Only



ITEM NO.	NO. REQ'D	P/N	DESCRIPTION
1	1	01530.24	Wrapper CB (For RD) Standard
		01530.84	Wrapper CB-Tall (For Right Door)
2	1	01501.24	Pan CB (For RD) Standard
		01501.34	Pan CB-Tall (For Right Door)
3	1	01506.25	Side Door CB (For RD) Standard 22-7/8" by 21-5/8"
		01506.65	Side Door For (CB-T) Right Door 29-7/8" by 21-5/8"
4	1	00613.25	Door Handle CB (Right)
5	1	01505.24	Tray track CB(RD)
6	1	00246.24	Motor suction Tube CB (For RD)
7	1	00246.14	Motor suction Tube CB (For RD)
8	1	01556.50	RH Door Handle Support Bracket

ITEM NO.	NO. REQ'D	P/N	DESCRIPTION
9	1	01555.50	LH Door Handle Support Bracket
10	1	01553.10	Door Handle Link(CB) 8-5/8"
11	1	00563.40	Door Switch Bracket (8-08)
12	1	00563.42	Door Switch Actuator (8-08)
13	1	01553.30	Door Handle Link(CB) Banana Style 10"
14	1	01506.30	Door - Standard - with Dimple 22-7/8" by 21-5/8"
		01506.10	Door- Extended) - with Dimple 29-7/8" by 21-5/8"
15	4	00636.15	EZ Glide Door Guide 25-7/8"
16	3	17554.00	SS Door Guide CB-Tall 24-3/8"
17	1	01554.26	SS Door Guide CB-Tall 24-3/8"
18	1	01505.14	Wrapper CB Reinforcement Bracket

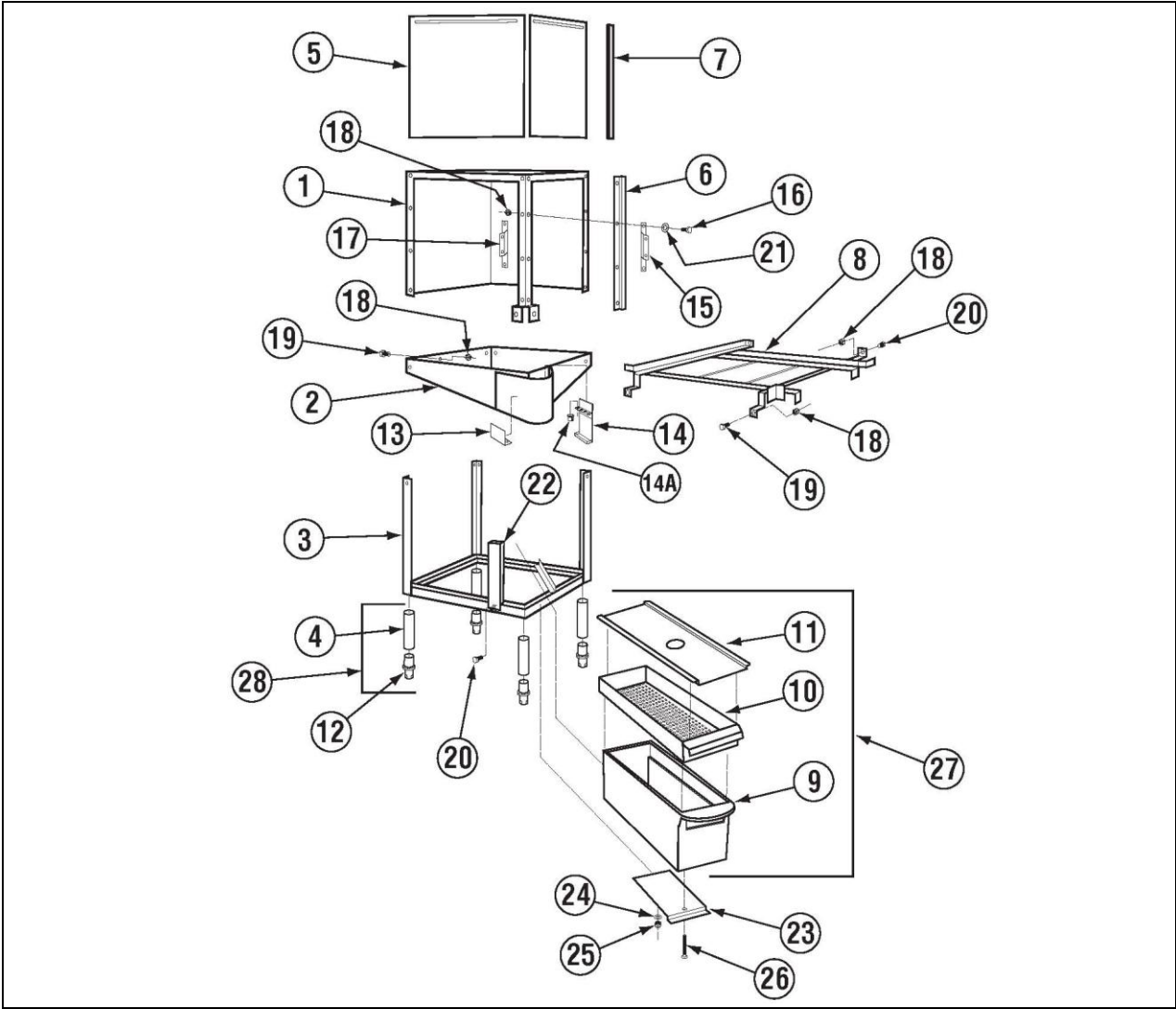
1.2.5. Cabinet Assembly for Model CB Left Door Only



ITEM NO.	NO. REQ'D	P/N	DESCRIPTION
1	1	01530.25	Wrapper CB (For LD) Standard
		01530.85	Wrapper CB-Tall (For Left Door)
2	1	01501.25	Pan CB (For LD) Standard
		01501.35	Pan CB-Tall (For Left Door)
3	1	01506.24	Side Door CB (For LD) Standard 22-7/8" by 21-5/8"
		01506.64	Side Door (CBT) Left Door 29-7/8" by 21-5/8"
4	1	00613.24	Door Handle CB (Left)
5	1	01505.25	Tray Track CB (LD)
6	1	00111.25	Drain Sump Casting CB (LD)
7	1	00246.25	Motor suction Tube CB (For LD)
8	1	00246.15	Motor suction Tube CB (For LD)
9	1	01555.50	LH Door Handle Support Bracket

ITEM NO.	NO. REQ'D	P/N	DESCRIPTION
10	1	01556.50	RH Door Handle Support Bracket
11	1	01553.10	Door Handle Link(CB) 8-5/8"
12	1	01553.30	Door Handle Link (CB)Banana Style 10"
13	1	00563.42	Door Switch Actuator (8-08)
14	1	00563.40	Door Switch Bracket (8-08)
15	1	01506.30	Door - Standard - with Dimple 22-7/8" by 21-5/8"
		01506.10	Door- Extended) - with Dimple 29-7/8" by 21-5/8"
16	4	00636.15	EZ Glide Door Guide 25-7/8"
17	3	17554.00	SS Door Guide CB-Tall 24-3/8"
18	1	01554.26	SS Door Guide CB-Tall 24-3/8"
19	1	01505.14	Wrapper CB Reinforcement Bracket

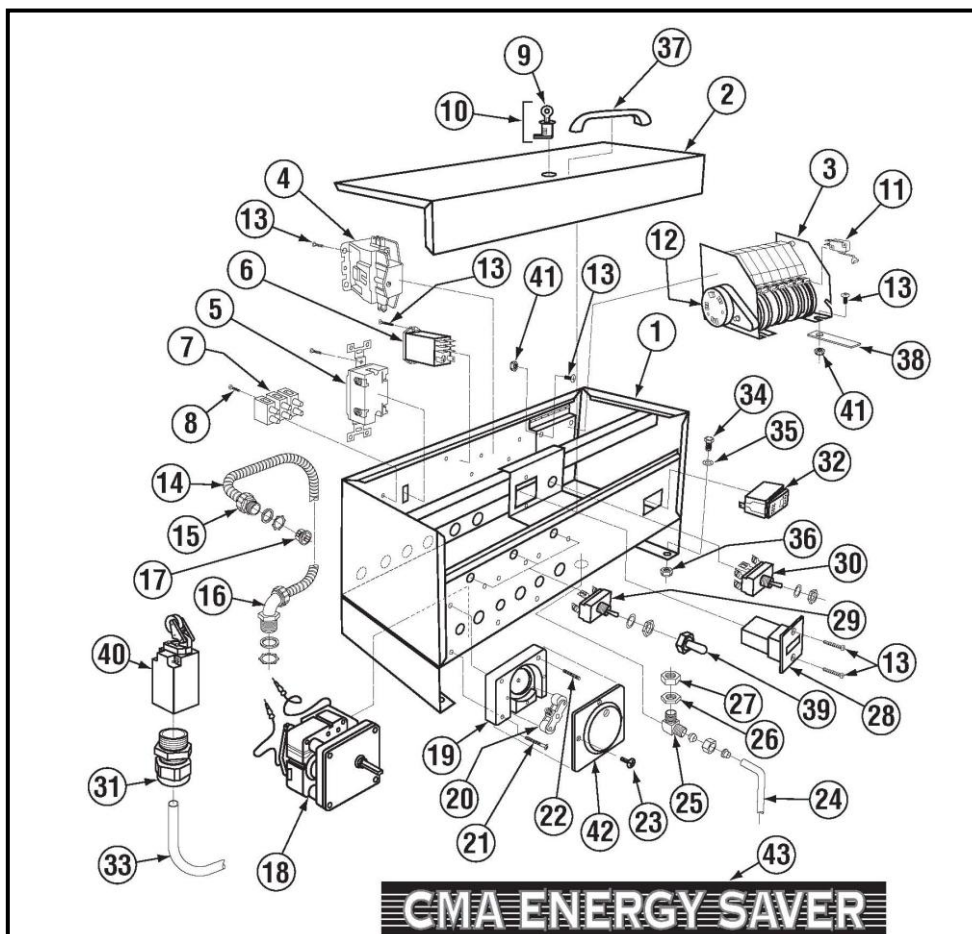
1.2.6. Cabinet Assembly For Model C



1	1	01500.04	Wrapper Includes Brackets #15,17
2	1	01501.04	Frame Pan (C)
3	1	01532.54	Frame Stand
4	4	01572.10	Stand Legs (A, AH, C, B)*
5	2	01506.30	Door A, B, C, M, CMA-44
6	4	01554.30	Door Guide SS 21 1/8"
7	4	00636.10	EZ Glide Door Guide (Plastic)
8	1	01505.04	Tray Track Corner
9	1	01577.10	Scrap Trap Body Molded
10	1	01577.21	S/S Scrap Trap Drawer
11	1	01577.30	S/S Scrap Trap Lid Molded
12	4	01310.00	Bullet Feet
13	2	01571.00	Drain Baffle
14	1	01558.20	Chemical Tube Support Bracket

14A	4	00427.00	Line Bracket Snap Bushing
15	1	00101.10	Solenoid Bracket CRH
16	16	00905.00	Trusshead Bolt 1/4"-20 x 1/2"
17	1	00101.20	Solenoid Bracket CLH
18	34	00912.00	Nylon Lock Nut, 1/4"-20
19	12	00914.10	Hexhead Bolt 1/4"-20 x 5/8 "
20	12	0906.00	Hexhead Bolt 1/4"-20 x 1/2 "
21	68	00924.00	1/4" SS Washer
22	1	01570.24	Pan Support Bracket C
23	1	01577.50	Molded Scrap Trap Mount Bracket
24	1	00924.00	1/4" SS Washer
25	1	00912.00	1/4 x20 Nylon Lock Nut
26	1	00911.00	8-32x1/2 "Pan Head Screw
27	1	01577.00	Scrap Trap Assy (Poly Pro)
28	1	01145.00	^Leg Assy 10" w\Adjustable Socket

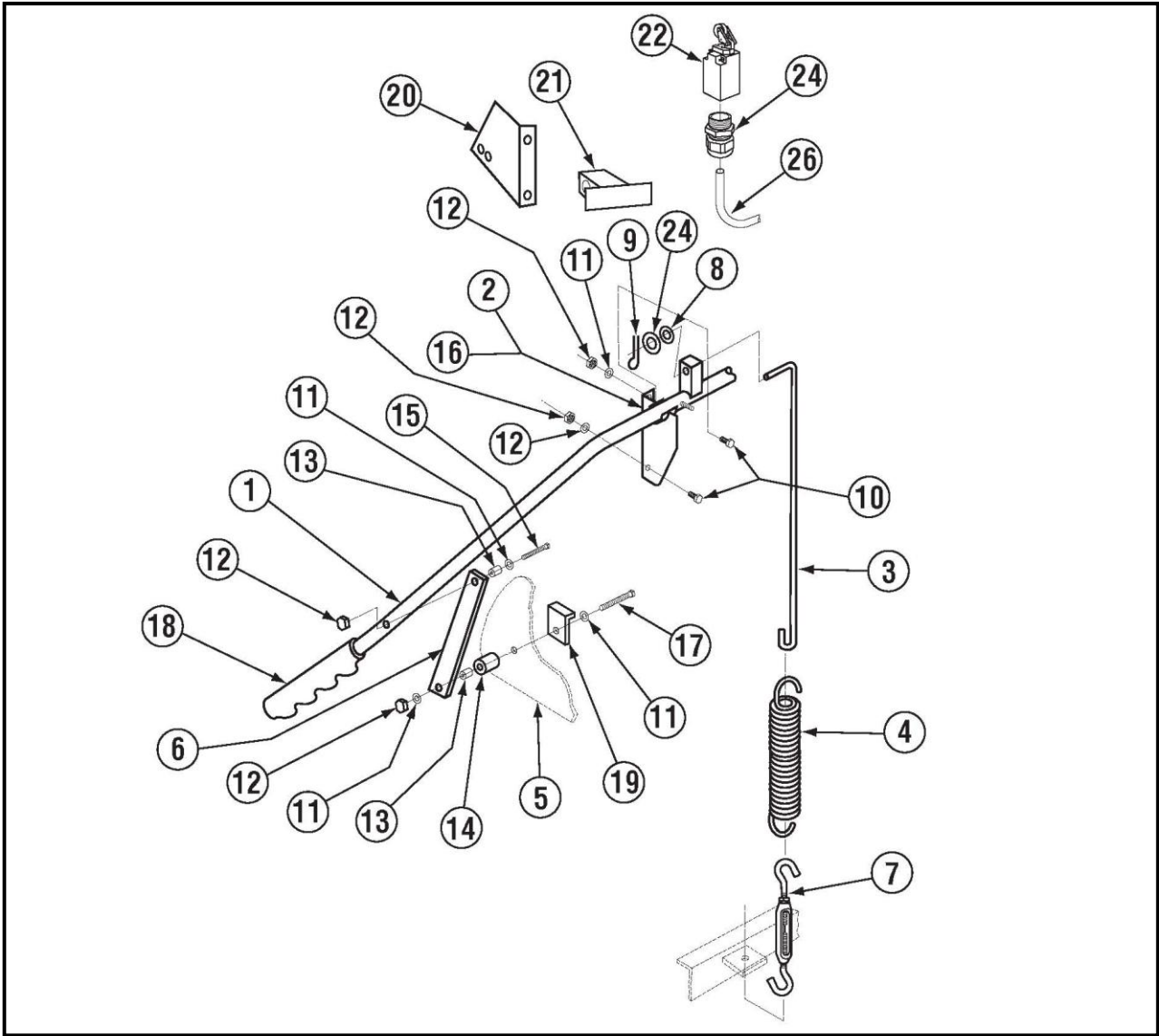
1.2.7. Control Box Assembly for Model AH, B and C



ITEM NO.	NO. REQ'D	P/N	DESCRIPTION
1	1	01503.14	Control Box Body AH-B-C
2	1	01504.14	Control Box Lid AH-B-C
3	1	00407.80	Timer 90 Sec 8 Cam 120V
4	1(2)	00404.82	Motor Contactor 120V AH/C (B)
5	1	00433.10	Master Switch (20Amp) AH
	1	00433.00	Master Switch (30Amp) B
6	1	00631.00	Ice Cube relay 120V
7	1	00454.10	3 Pole Socket Terminal Block
8	1	13825.00	8-32 X 1" Pan Head Screw
9	1	00450.00	Key Only
10	1	00449.00	Lock and Key
11	8	00411.00	Microswitch
12	1	00500.00	Timer Motor 120V (For 90Sec Timer)
13	4	00911.50	8-32 X 3/8" Pan Head Screw
14	AR	00400.00	Conduit 3/8" Sealtite
15	2	00401.00	St. Straight 3/8" Connector
16	4	00402.00	St. 90Deg 3/8" Connector
17	4	00438.00	Snap Bushing 875-11
18	3	00416.00	Peristaltic Pump Motor 120V
19	3	00417.10	Peristaltic Pump Block
20	3	00419.00	Peristaltic Pump Rotor
21	6	00919.00	8-32 X 1 1/2" Panhead Bolt

ITEM NO.	NO. REQ'D	P/N	DESCRIPTION
22	3	00918.00	8-32 X 1 1/2" Fillister Bolt
23	12	00911.00	8-32 X 1/2" Panhead screw
24	1	00464.07	3/8" SS Tubing (For Solenoid Wire)
25	1	00436.00	3/8" 90Deg Elbow Comp X Mip
26	1	00712.00	3/8" jamb Nut (Plated)
27	1	00712.30	3/8" jamb Nut (standard)
28	1	03408.50	Counter (Panel Mount) 120V
29	3	03470.00	Primer Switch (Momentary)
30	1	00475.70	Delimer Switch (DPDT 15Amp)
31	1	00562.60	Roller Switch Connector
32	1	00421.40	Start/Fill Switch (With light)
33	3FT	00547.00	Switch Cord
34	4	00914.00	1/4" -20 X 3/4" Hex Head Bolt
35	4	00922.00	1/4" Lock Star Washer
36	4	00912.00	1/4"-20 Nylon Lock Nut
37	1	00535.00	Control Box Lid Handle
38	1	01514.00	Timer Support Bar
39	4	00470.10	Toggle Switch Rubber Boot
40	1	00562.00	Roller Switch
41	1	00927.00	8-32 Nylon Lock Nut
42	3	00418.00	Peristaltic Pump Cover
43	1	06232.25	CMA Energy Saver Label for B machine

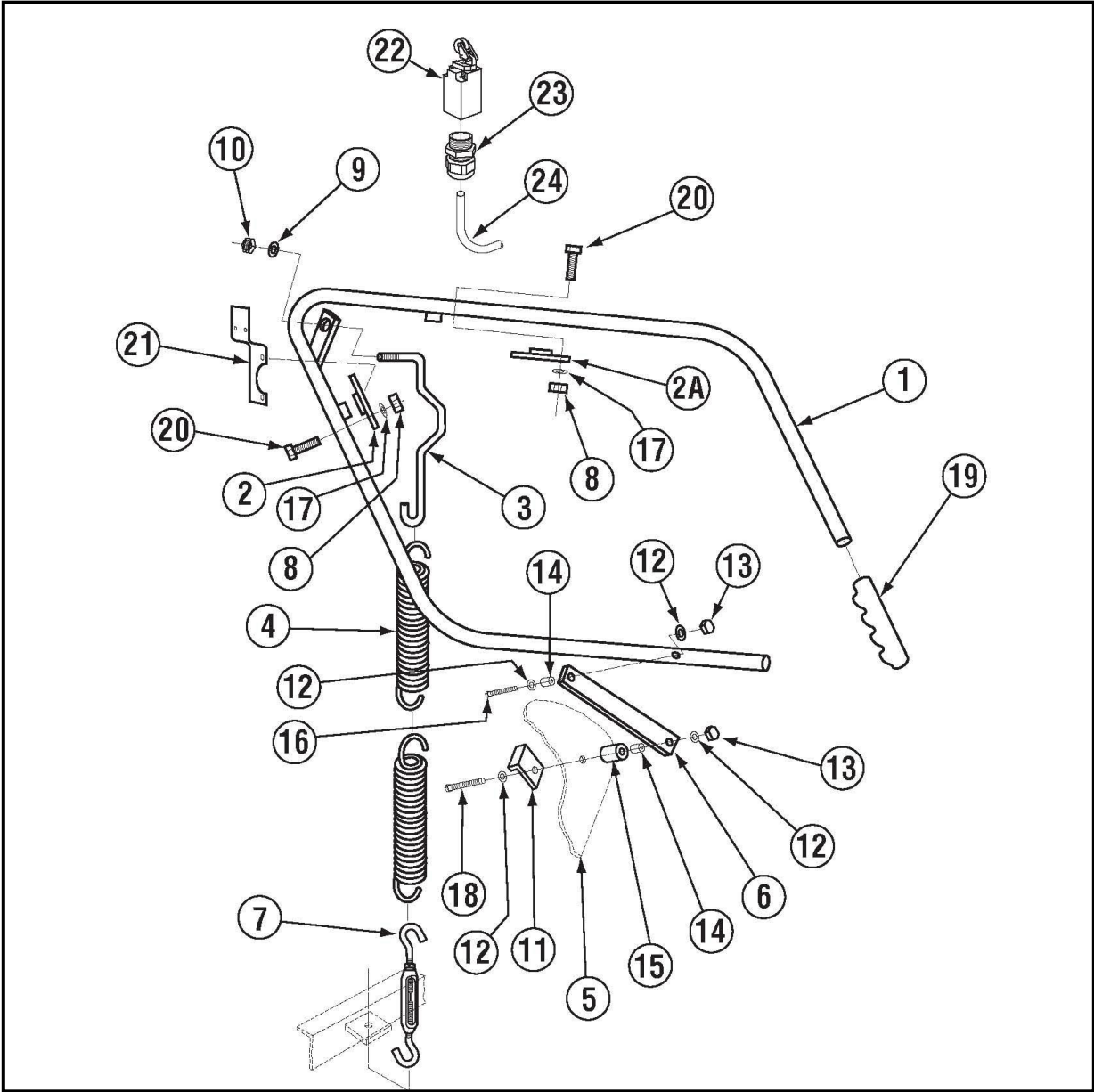
1.2.8. Door Actuator Assembly



ITEM NO.	NO. REQ'D	P/N	DESCRIPTION
1	1	00613.32	Door Handle, 1" (Model AH)
		00613.33	Door Handle, 1" (Model B)
2	1	01556.50	Door Handle Support, 1" (Right)
3	2	00603.07	Door Spring Extension Rod
4	2	00602.00	Door Spring (# 602.20 B & S models)
5	2	01506.30	Door (Cut Away)
6	2	01553.00	Door Handle Link
7	2	00606.50	Turn Buckle
8	2	00926.00	5/16" SS Washer
9	2	00900.00	Cotter Pin
10	4	00906.00	1/4-20 x 1/2" Hex Head Screw
11	6	00924.00	1/4" SS Washer
12	8	00912.00	1/4-20 Nylon Locknut

ITEM NO.	NO. REQ'D	P/N	DESCRIPTION
13	4	00610.00	Door Handle Spacer, Small
14	4	00611.00	Door Handle Spacer, Large
15	2	00910.00	1/4-20 x 1-1/2" Hex Bolt
16	1	01555.50	Door Handle Support, 1" (Left)
17	2	00903.00	1/4-20 x 1-3/4" Hex Head Bolt
18	2	00607.04	Door Handle Cap, 1"
19	2	01552.00	Door Stop
20	1	00563.40	Door Switch Bracket (8-08)
21	1	00563.42	Door Switch Actuator (8-08)
22	1	00562.00	Roller Door Switch
23	1	00562.60	Connector Door Roller Switch
24	1	00605.30	Door Rod Spacer
25	1	00546.00	18 AWG Switch Cord

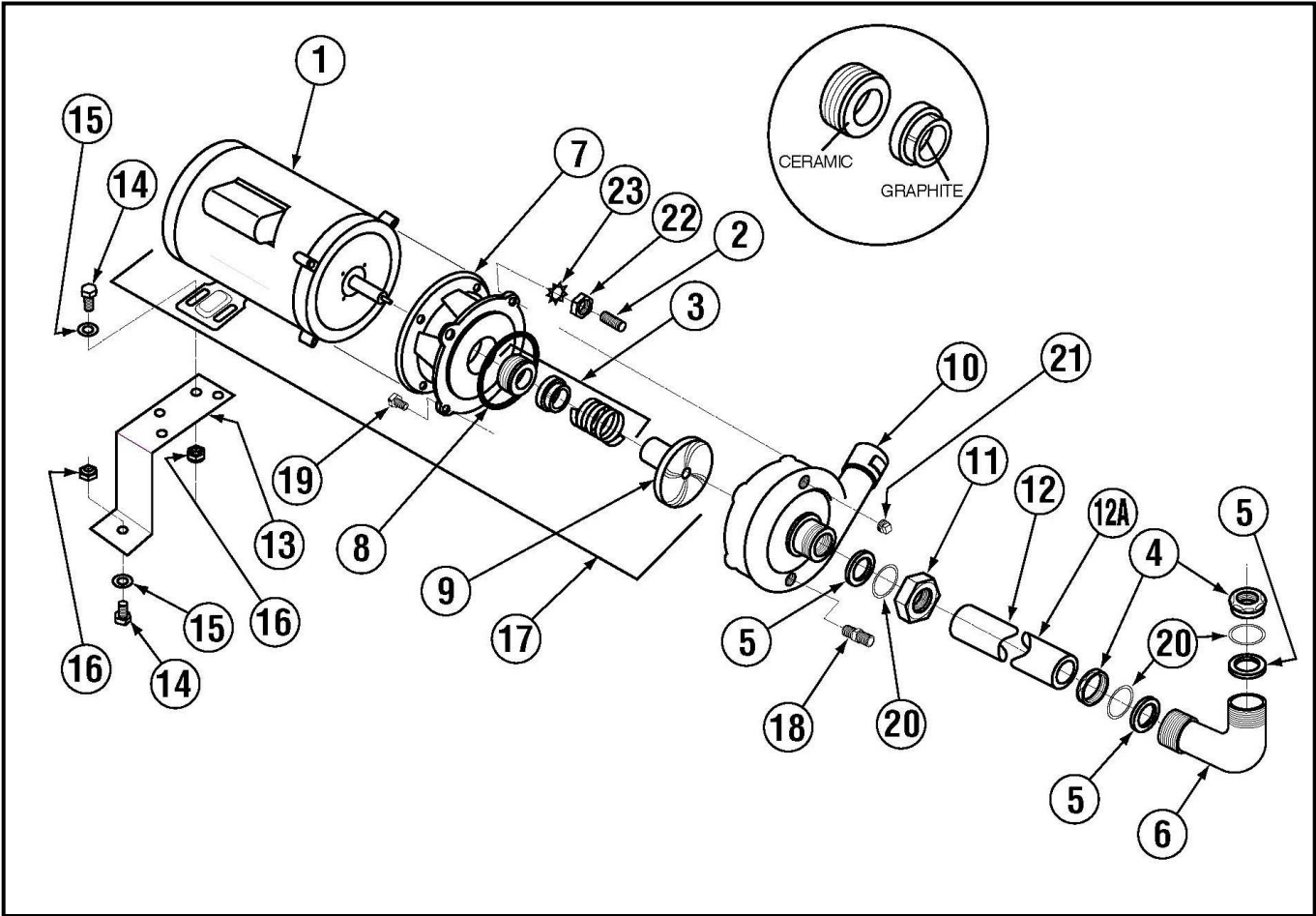
1.2.9. Door Actuator Assembly for Model C



ITEM NO.	NO. REQ'D	P/N	DESCRIPTION
1	1	00613.04	Door Handle
2	1	00619.34	Door Handle Mounting Plate, Long
2A	1	00619.44	Door Handle Mounting Plate, Short
3	1	00603.04	Extension Rod
4	2	00602.00	Door Spring (# 602.20 S model)
5	2	01506.30	Door (Cut Away)
6	2	01553.00	Door Handle Link
7	1	00606.50	Turn Buckle
8	8	00913.00	5/16-18 Nut
9	9	00926.00	5/16 SS Washer
10	1	00900.00	Cotter Pin
11	2	01552.00	Door Stop
12	6	00924.00	1/4" SS Washer

ITEM NO.	NO. REQ'D	P/N	DESCRIPTION
13	4	00912.00	1/4-20 Nylon Lock Nut
14	4	00610.00	Door Handle Spacer, Small
15	4	00611.00	Door Spacer, Large
16	2	00903.00	1/4-20 x 1-3/4" Hex Head Bolt
17	8	00926.00	5/16" SS Washer
18	2	00910.00	1/4-20 x 1-1/2" Hex Head Screw
19	2	00607.04	Door Handle Cap
20	8	00920.00	5/16-18 x 3/4" Hex Head Bolt
21	1	00563.30	Limit Switch Door Bracket
22	1	00562.00	Roller Door Switch
23	1	00562.60	Connector Door Roller Switch
24	1	00546.00	18 AWG Switch Cord

1.2.10. Pump Assembly AH and C



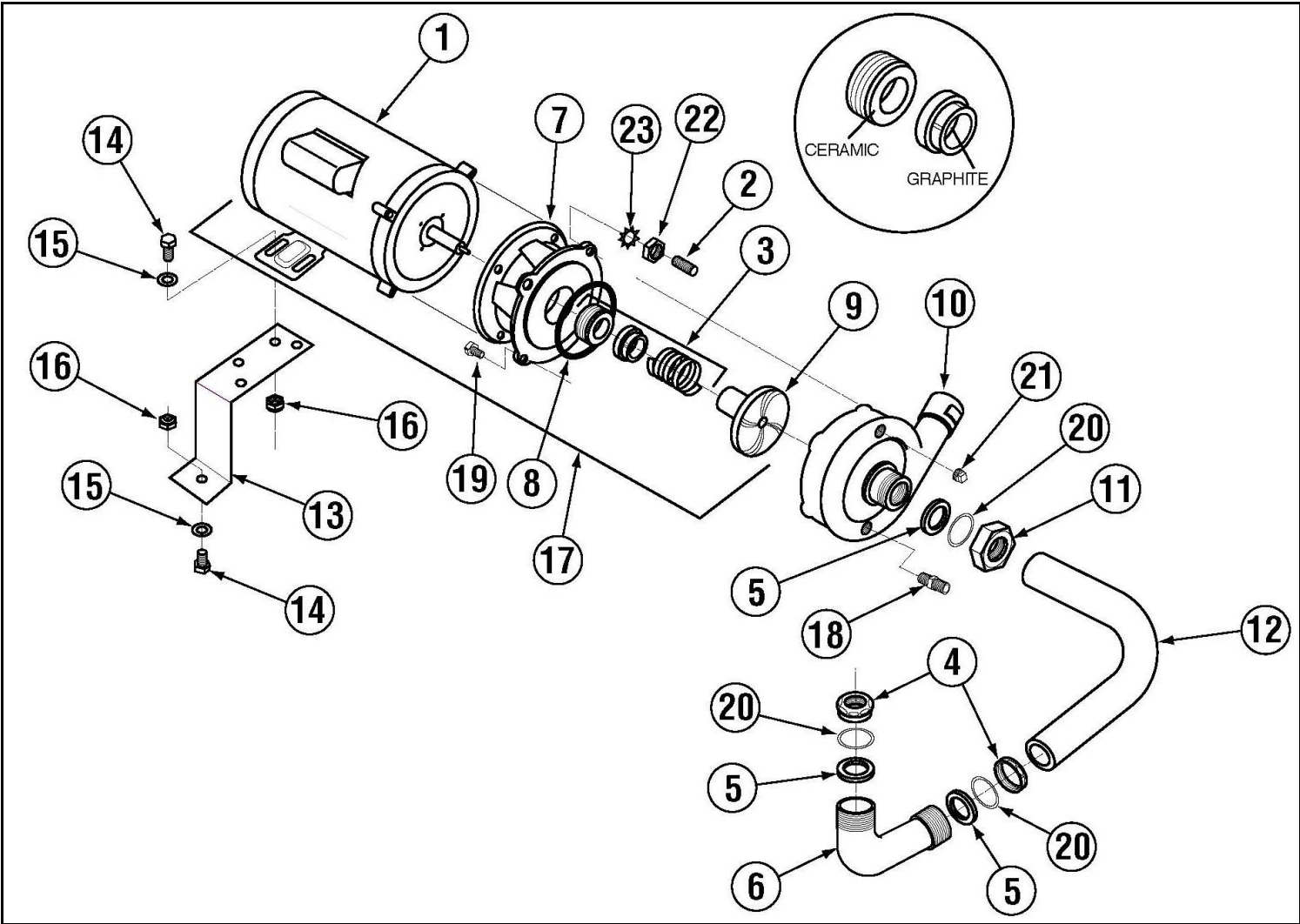
ITEM NO.	NO. REQ'D	P/N	DESCRIPTION
1	1	00201.00	Pump Motor, 1 HP
2	2	00975.00	3/8"-16 x 1 1/2" SS Stud
3	1	00206.30	Pump Seal Kit
4	2	00207.00	1 1/2" x 1 1/4" Slip Joint Nut
5	3	00208.40	Slip Joint Nut Gasket
6	1	00768.20	Pump Inlet Elbow SS Casting
7	1	04207.10	Pump Base Small
8	1	03226.00	Pump O-Ring
9	1	03222.10	Open Impeller
10	1	04207.20	Pump Cover, Small
11	1	00207.00	Compression Nut (2.5")
12	1	00246.01	Motor Suction Tube (A/AH)

ITEM NO.	NO. REQ'D	P/N	DESCRIPTION
12A	1	00246.04	Motor Suction Tube (C)
13	1	13916.20	Motor Support Bracket
14	1	00906.00	1/4"-20 x 1/2" Hex Head Bolt
15	1	00924.00	1/4" SS Washer
16	1	00912.00	1/4"-20 Nylon Lock Nut
17*	1	00200.10	Pump Assy.
18	1	00214.50	1/2 Comp x 3/8" M.I.P. F.T.G.
19	6	00921.00	3/8"-16 x 3/4" SS Head Bolt
20	3	00208.21	Slip Joint Nut Friction Ring
21	1	00238.00	3/8 Mail Plug
22	2	03810.00	3/8-16 Thin Nut
23	2	03807.50	3/8 External Lock Star Washer

*P/N 00200.10 includes items 1, 3, 7, 8, and 9 already assembled.

Parts Manual

1.2.11. Pumps Assemblies For Model B

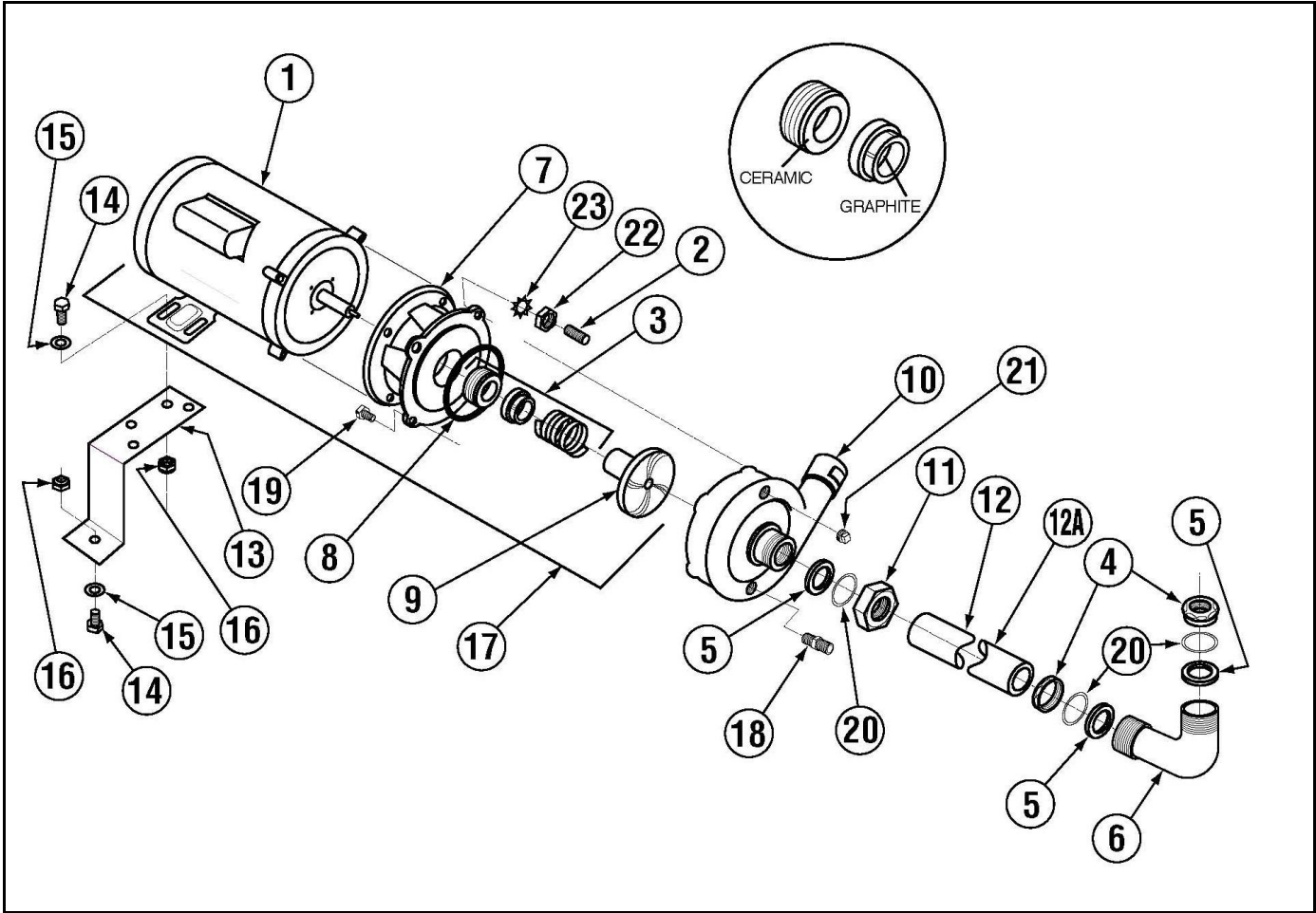


ITEM NO.	NO. REQ'D	P/N	DESCRIPTION
1	1	00201.00	Pump Motor, 1 HP
2	2	00975.00	3/8"-16 x 1 1/2" SS Stud
3	1	00206.30	Pump Seal Kit
4	2	00207.00	1 1/2" x 1 1/4" Slip Joint Nut
5	3	00208.40	Slip Joint Nut Gasket
6	1	00768.20	Pump Inlet Elbow SS Casting
7	1	04207.10	Pump Base Small
8	1	03226.00	Pump O-Ring
9	1	03222.10	Open Impeller
10	1	04207.20	Pump Cover, Small
11	1	00207.00	Compression Nut (2.5")
12	1	00246.23	Motor Suction Tube Curve B/R

ITEM NO.	NO. REQ'D	P/N	DESCRIPTION
13	1	13916.20	Motor Support Bracket
14	3	00906.00	1/4"-20 x 1 1/2" Hex Head Bolt
15	3	00924.00	1/4" SS Washer
16	3	00912.00	1/4"-20 Nylon Lock Nut
17*	1	00200.10	Pump Assy.
18	1	00214.50	1/2 Comp x 3/8" M.I.P. F.T.G.
19	6	00921.00	3/8"-16 x 3/4" SS Head Bolt
20	3	00208.21	Slip Joint Nut Friction Ring
21	1	00238.00	3/8" Mail Plug
22	2	03810.00	3/8-16 Thin Nut
23	2	03807.50	3/8 External Lock Star Washer

*P/N 00200.10 includes items 1, 3, 7, 8, and 9 already assembled.

Parts Manual

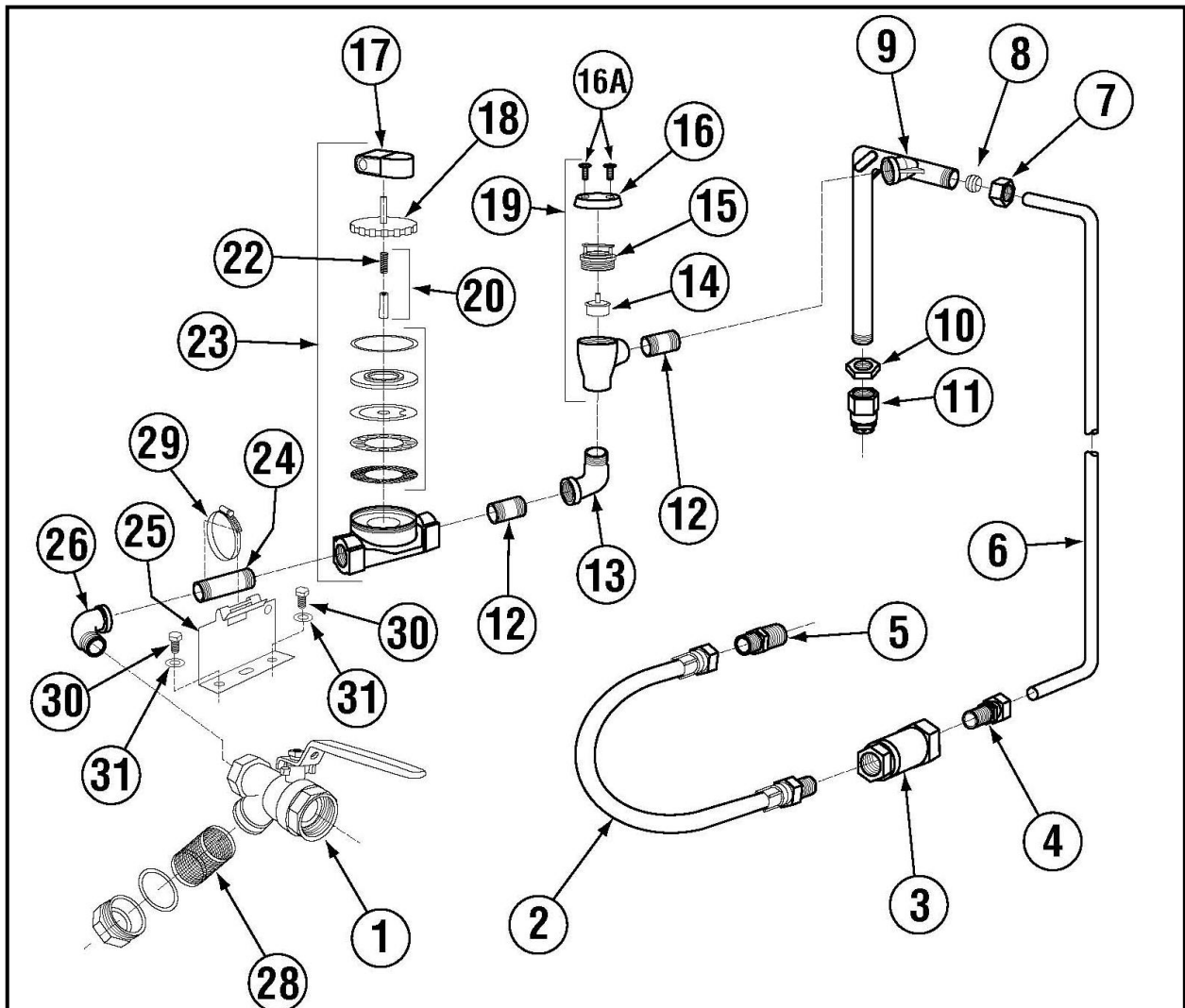


ITEM NO.	NO. REQ'D	P/N	DESCRIPTION
1	1	00201.00	Pump Motor, 1 HP
2	2	00975.00	3/8"-16 x 1 1/2" SS Stud
3	1	00206.30	Pump Seal Kit
4	2	00207.00	1 1/2" x 1 1/4" Slip Joint Nut
5	3	00208.40	Slip Joint Nut Gasket
6	1	00768.20	Pump Inlet Elbow SS Casting
7	1	04207.10	Pump Base Small
8	1	03226.00	Pump O-Ring
9	1	03222.10	Open Impeller
10	1	04207.20	Pump Cover, Small
11	1	00207.00	Compression Nut (2.5")
12	1	00246.03	Motor Suction Tube SS (B) L

ITEM NO.	NO. REQ'D	P/N	DESCRIPTION
13	1	13916.20	Motor Support Bracket
14	3	00906.00	1/4"-20 x 1/2" Hex Head Bolt
15	3	00924.00	1/4" SS Washer
16	3	00912.00	1/4"-20 Nylon Lock Nut
17*	1	00200.10	Pump Assy.
18	1	00214.50	1/2 Comp x 3/8" M.I.P. F.T.G.
19	6	00921.00	3/8"-16 x 3/4" SS Head Bolt
20	3	00208.21	Slip Joint Nut Friction Ring
21	1	00238.00	3/8" Mail Plug
22	2	03810.00	3/8-16 Thin Nut
23	2	03807.50	3/8 External Lock Star Washer

*P/N 00200.10 includes items 1, 3, 7, 8, and 9 already assembled

1.2.12. Plumbing System Assembly for Model AH and C



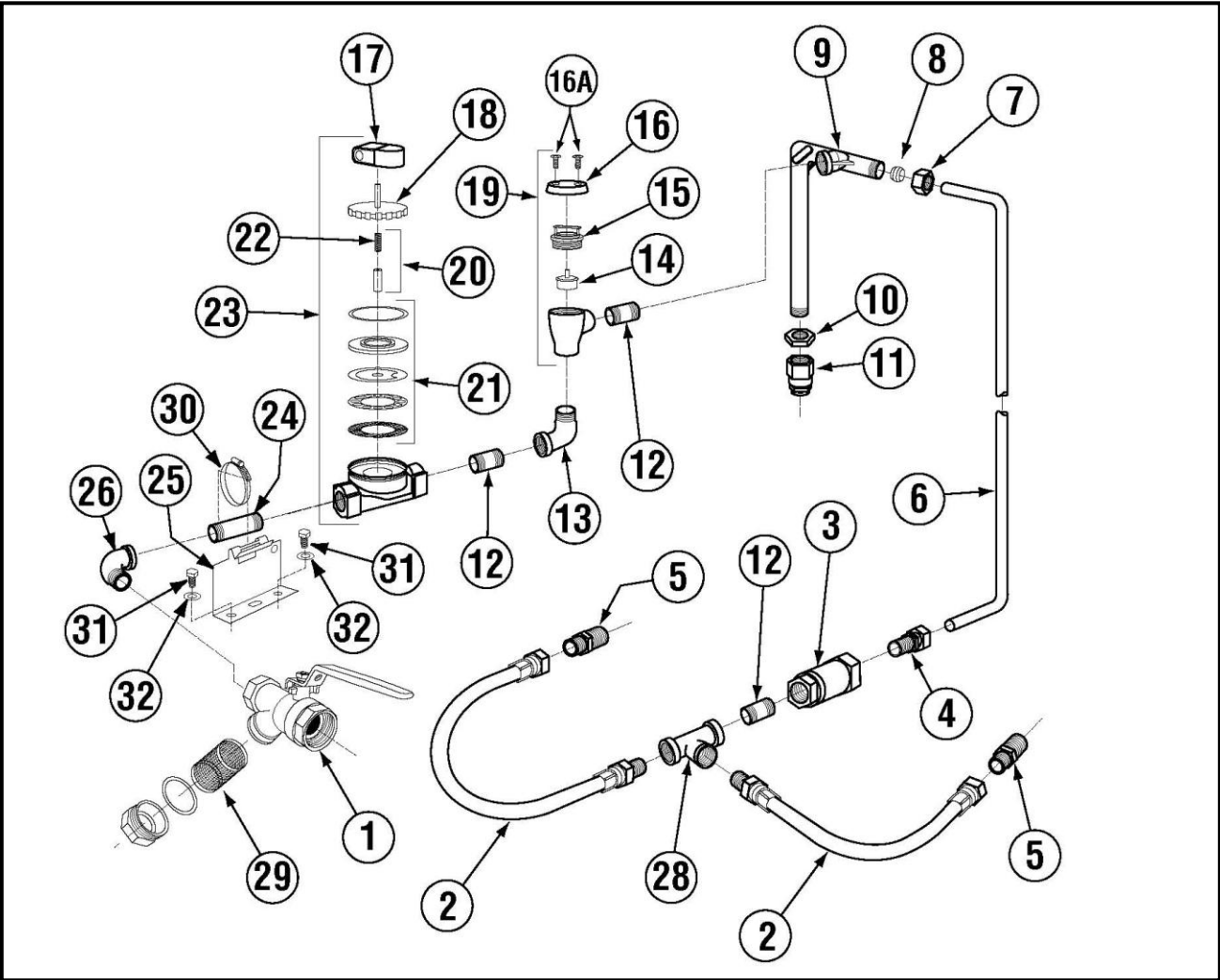
ITEM NO.	NO. REQ'D	P/N	DESCRIPTION
1	1	13029.00	3/4" Strainer Ball Valve*
2	1	00798.00	SS Braided Hose
3	1	00715.00	Ball Check Valve
4	1	00760.00	5/8" Comp x 1/2" MIP Fitting
5	1	00214.50	1/2" Comp x 3/8" MIP Fitting
6	1	00795.00	Flush Tube
7	1	00770.10	5/8 Compression Ftg. Nut
8	1	00770.20	5/8 Compression Ftg. Ring
9	1	00770.00	Water Inlet Elbow Assy
10	2	00721.00	1/2" Jamb Nut
11	1	00748.00	Sprinkler Head
12	2	00701.00	3/4" x 1-1/2" Nipple
13	2	00704.00	3/4" Street Elbow
14	1	00735.00	Repair Kit (Vacuum Breaker)
15	1	00735.60	Vacuum Breaker Bonnet, Brass
16*	1	00739.50	Vacuum Breaker Cap SS

ITEM NO.	NO. REQ'D	P/N	DESCRIPTION
17	1	00738.10	Solenoid Coil, J/E
18	1	00705.20	Water Solenoid Valve Bonnet
19	1	00710.50	3/4" Vacuum Breaker
20	1	00786.00	Water Solenoid Plunger, G Style 3/4" x 1/2"
21	1	00706.00	Repair Kit (Water Solenoid)
22	1	00706.10	3/4" Solenoid Plunger, Spring Only
23	1	00705.00	3/4" Water Solenoid
24	1	00781.00	3/4" x 3-1/2" Nipple, Brass
25	1	14508.50	Plumbing Support Bracket
26	1	00704.00	3/4" Street Elbow
27	1	00912.00	1/4"-20 Nylon Lock Nut
27A	1	00926.00	1/4" SS Washer
28	1	13029.10	^3/4 Ball Valve Strainers Only
29	1	03101.45	Hose Clamp #4 Size #002 SS
30	2	00940.50	10-32 X 3/8 Truss Head Screw
31	2	03801.60	10-32 KEPS Lock Nut

* Comes with 16A screws P/N 421.51

Parts Manual

1.2.13. Plumbing System Assembly for Model B

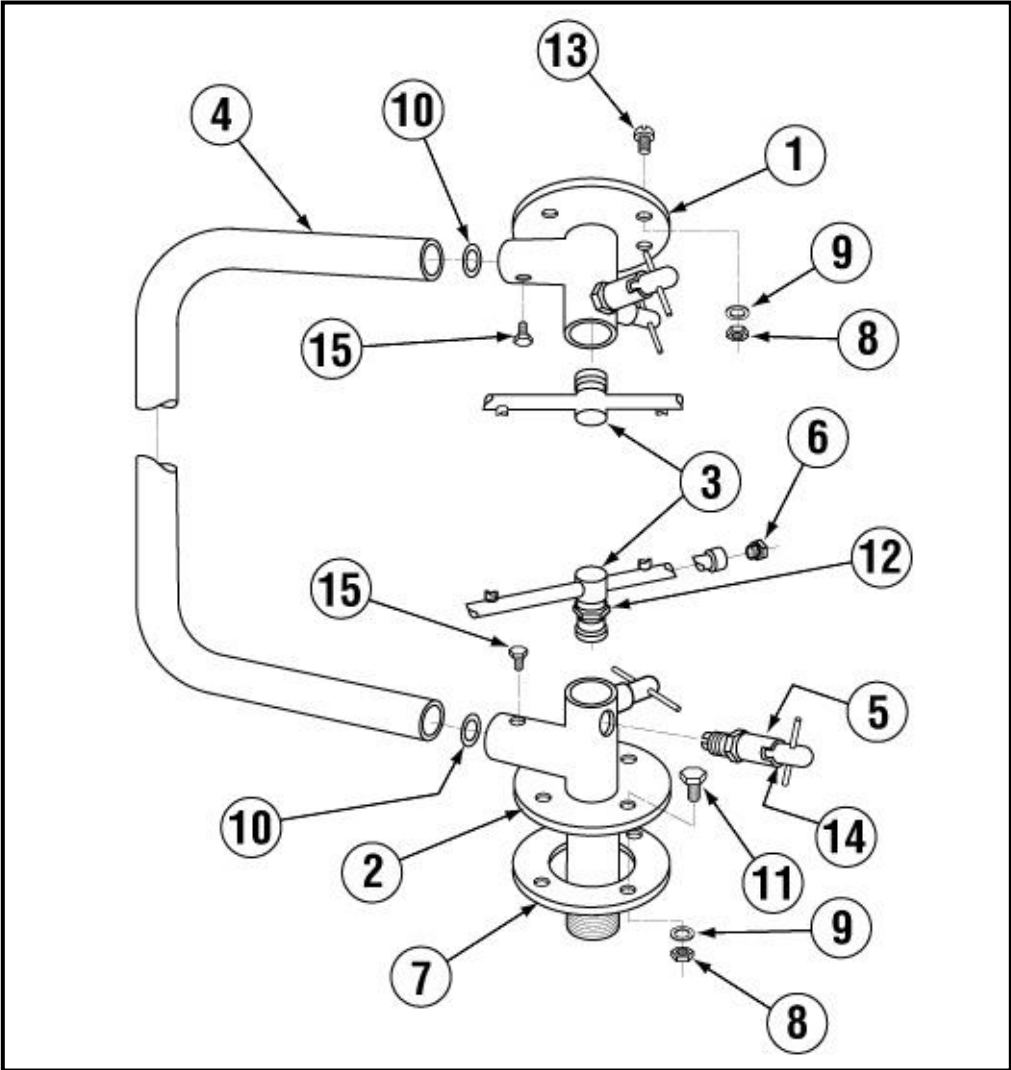


ITEM NO.	NO. REQ'D	P/N	DESCRIPTION
1	1	13029.00	3/4" Strainer Ball Valve
2	1	00798.00	SS Braided Hose
3	1	00715.00	Ball Check Valve
4	1	00760.00	5/8" Comp x 1/2" MIP Fitting
5	1	00214.50	1/2" Comp x 3/8" MIP Fitting
6	1	00795.00	Flush Tube
7	1	00770.10	5/8 Compression Ftg. Nut
8	1	00770.20	5/8 Compression Ftg. Ring
9	1	00770.00	Water Inlet Elbow Assy
10	2	00721.00	1/2" Jamb Nut
11	1	00748.00	Sprinkler Head
12	2	00701.00	3/4" x 1-1/2" Nipple
13	2	00704.00	3/4" Street Elbow
14	1	00735.00	Repair Kit (Vacuum Breaker)
15	1	00735.60	Vacuum Breaker Bonnet, Brass
16*	1	00739.50	Vacuum Breaker Cap SS
17	1	00738.10	Solenoid Coil, J/E

ITEM NO.	NO. REQ'D	P/N	DESCRIPTION
18	1	00705.20	Water Solenoid Valve Bonnet
19	1	00710.50	3/4" Vacuum Breaker
20	1	00786.00	Water Solenoid Plunger, G Style 3/4" x 1/2"
21	1	00706.00	Repair Kit (Water Solenoid)
22	1	00706.10	3/4" Solenoid Plunger, Spring Only
23	1	00705.00	3/4" Water Solenoid
24	1	00781.00	3/4" x 3-1/2" Nipple, Brass
25	1	14508.50	Plumbing Support Bracket
26	1	00704.00	3/4" Street Elbow
27	1	00912.00	1/4"-20 Nylon Lock Nut
27A	1	00926.00	1/4" SS Washer
28	1	00743.10	1/2" Tee FxFxF Brass
29	1	13029.10	3/4" Ball Valve Strainers Only
30	1	03101.45	Hose Clamp #4 Size #002 SS
31	2	00940.50	10-32 X 3/8 Truss Head Screw
32	2	03801.60	10-32 KEPS Lock Nut

* Comes with 16A screws P/N 421.51

1.2.14. Spray System Assembly for Model AH



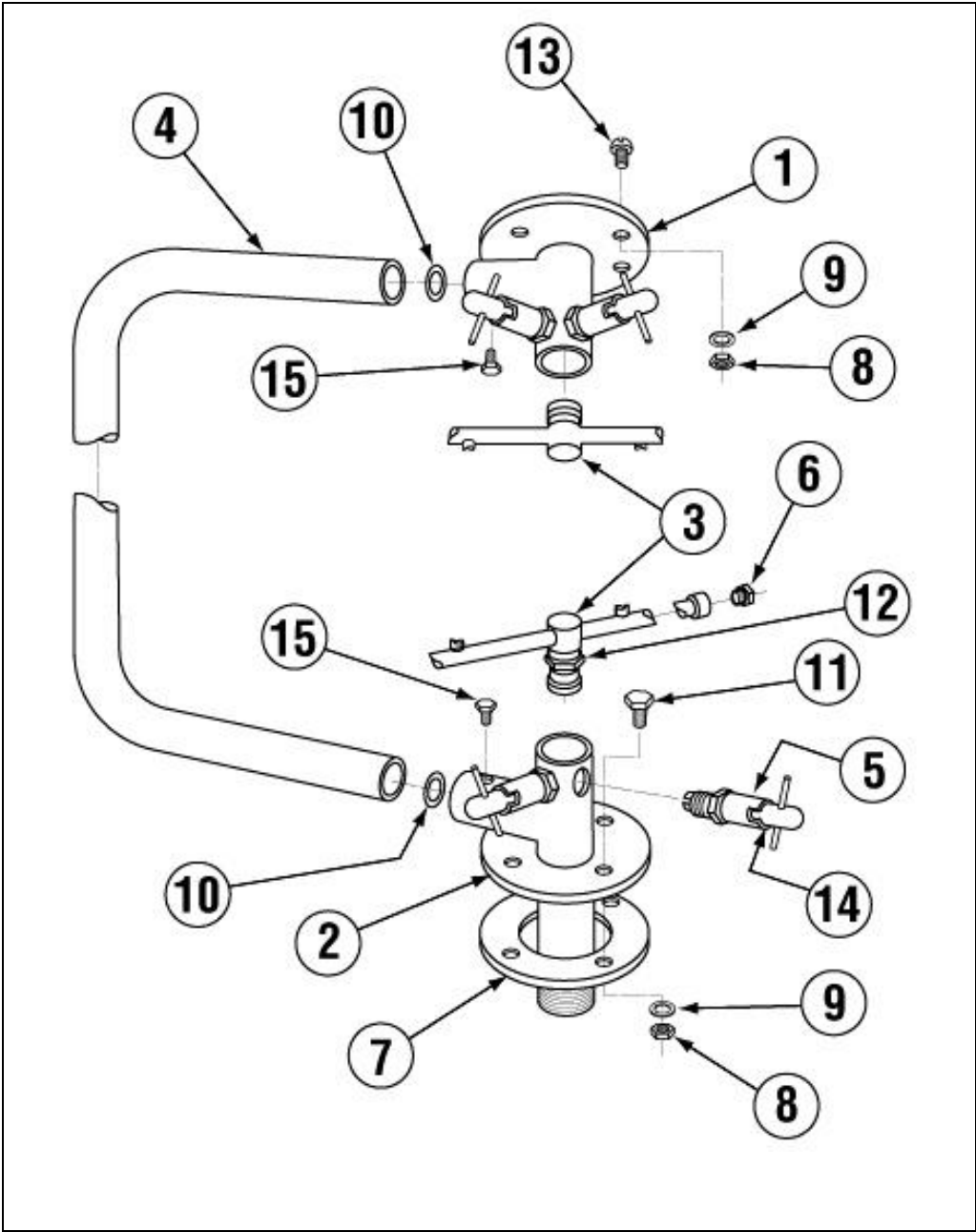
ITEM NO.	NO. REQ'D	P/N	DESCRIPTION
1	1	00361.00	Upper Spray Base, SS*
2	1	00360.00	Lower Spay Base, SS*
3	2	00304.07	Spray Arm A/C Series
4	1	00303.32	Manifold, AH
5	4	00363.00	Spray Base Lock Pin**
6	4	00308.50	Spray Arm End Plug
7	1	00302.00	Spray Base Gasket
8	8	00912.00	1/4 Nylon Lock Nut

ITEM NO.	NO. REQ'D	P/N	DESCRIPTION
9	16	00924.00	1/4" SS Washer
10	2	00302.51	O-Ring Spray Base
11	4	00914.10	1/4"-20 x 5/8" Hexhead Bolt
12	2	00341.00	Spray Arm Bearing
13	4	00929.00	1/4"-20 x 3/4" Trusshead Bolt
14	1	00363.10	Lock Arm Spring
15	2	00966.10	10-32 x 1/4" Hexhead Bolt

* Includes item 5, P/N 00363.00

** Includes item 14, P/N 00363.10

1.2.15. Spray System Assembly for Models B/CB



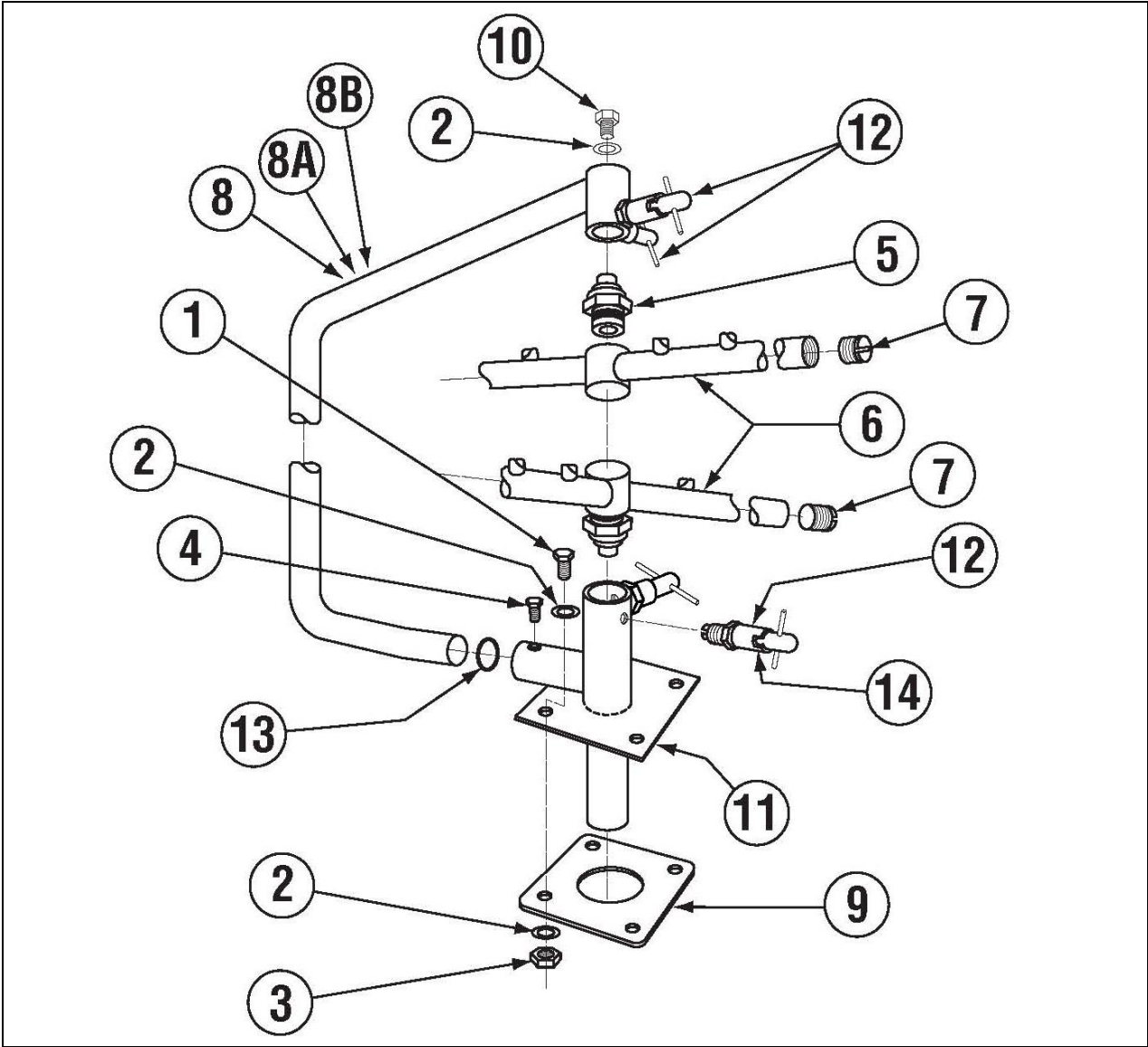
ITEM NO.	NO. REQ'D	P/N	DESCRIPTION
1	1	00361.40	Upper Spray Base, SS*
2	1	00360.40	Lower Spay Base, SS*
3	4	00304.04	Spray Arm B Series
4	1	00303.33	Manifold B
5	4	00363.00	Spray Base Lock Pin**
6	4	00308.50	Spray Arm End Plug
7	1	00302.00	Spray Base Gasket
8	8	00912.00	1/4 Nylon Lock Nut

ITEM NO.	NO. REQ'D	P/N	DESCRIPTION
9	16	00924.00	1/4" SS Washer
10	2	00302.51	O-Ring Spray Base
11	4	00914.10	1/4"-20 x 5/8" Hex Head Bolt
12	4	00341.00	Spray Arm Bearing
13	4	00929.00	1/4"-20 x 3/4" Truss Head Bolt
14	1	00363.10	Lock Arm Spring
15	2	00966.10	10-32 x 1/4" Hex Head Bolt

* Includes item 5, P/N 00363.00

** Includes item 14, P/N 00363.10

1.2.16. Spray System Assembly for Model B/CB Energy Saver

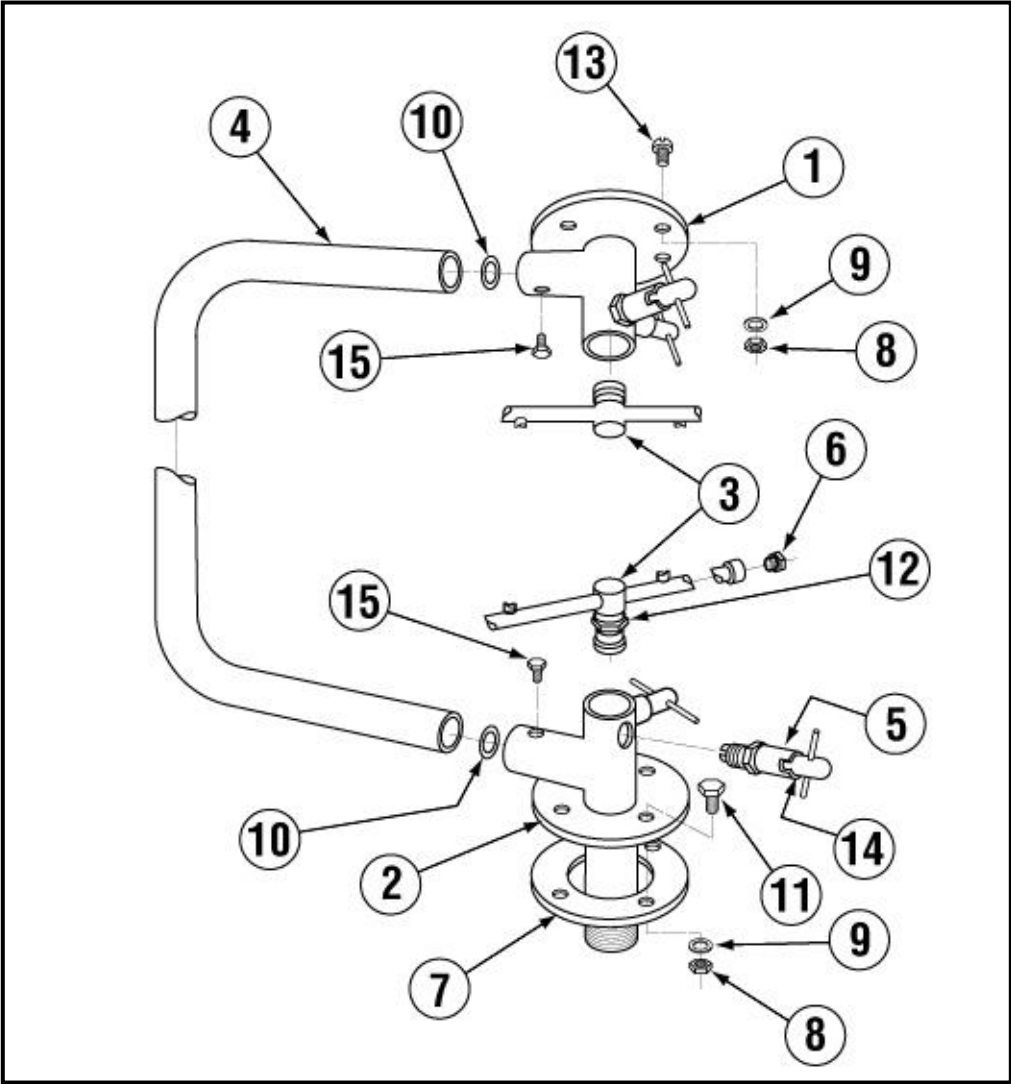


ITEM NO.	NO. REQ'D	P/N	DESCRIPTION
1	4	00914.00	1/4-20 X 3/4 Hexhead Bolt
2	9	00924.00	1/4 SS Washer
3	4	00912.00	1/4-20 Nylon Lock Nut
4	1	00966.10	10-32 X 1/4 Hexhead SS Bolt
5	4	00342.00	ES Spray Arm Bearing
6	4	00310.50	ES Spray Arm Short (6 Jets)
7	4	00308.50	Spray Arm End Plug SS
8	1	00305.44	ES-PB Manifold w/ Upper Spray

ITEM NO.	NO. REQ'D	P/N	DESCRIPTION
8A	1	00305.45	CB-L Tall Manifold
8B	1	00305.46	CB-R Tall Manifold
9	1	04306.00	Square Manifold Gasket
10	1	00905.82	1/4-20 X 3/8 Truss Head Bolt
11	2	00357.43	ES-B Lower Spray Base
12	4	00363.00	Spray Base Lock Pin*
13	4	00302.51	O-Ring Spray Base
14	1	00363.10	Lock Arm Spring

* Includes item 14, P/N 00363.10

1.2.17. Spray System Assembly for Model C



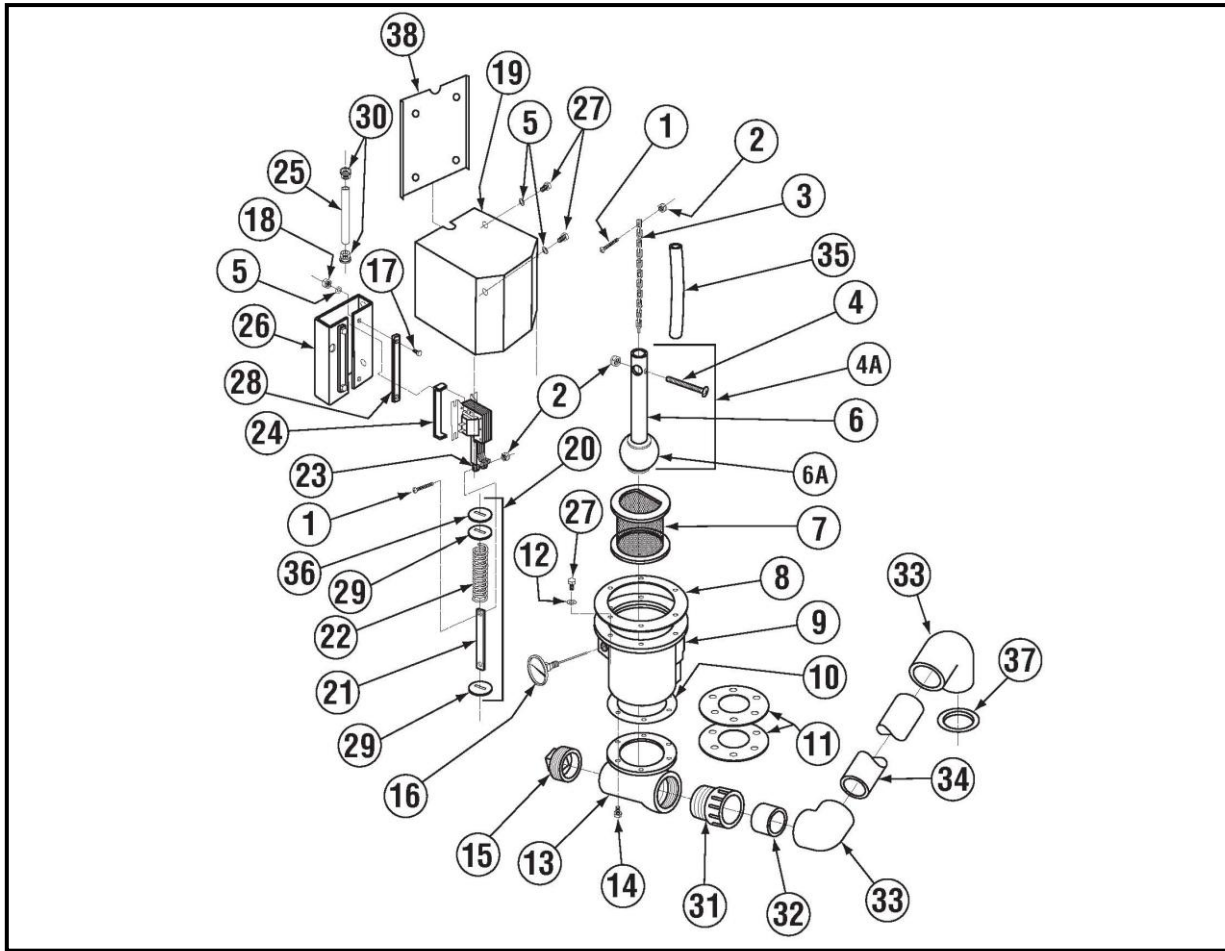
ITEM NO.	NO. REQ'D	P/N	DESCRIPTION
1	1	00361.10	Upper Spray Base, SS*
2	1	00360.10	Lower Spay Base, SS*
3	2	00304.07	Spray Arm A/C Series
4	1	00303.34	Manifold, C
5	4	00363.00	Spray Base Lock Pin**
6	4	00308.50	Spray Arm End Plug
7	1	00302.00	Spray Base Gasket
8	8	00912.00	1/4 Nylon Lock Nut

ITEM NO.	NO. REQ'D	P/N	DESCRIPTION
9	16	00924.00	1/4" SS Washer
10	2	00302.51	O-Ring Spray Base
11	4	00914.10	1/4"-20 x 5/8" Hexhead Bolt
12	2	00341.00	Spray Arm Bearing
13	4	00929.00	1/4"-20 x 3/4" Trusshead Bolt
14	1	00363.10	Lock Arm Spring
15	2	00966.10	10-32 x 1/4" Hexhead Bolt

* Includes item 5, P/N 00363.00

** Includes item 14, P/N 00363.10

1.2.18. Drain System Assembly for Model AH and C

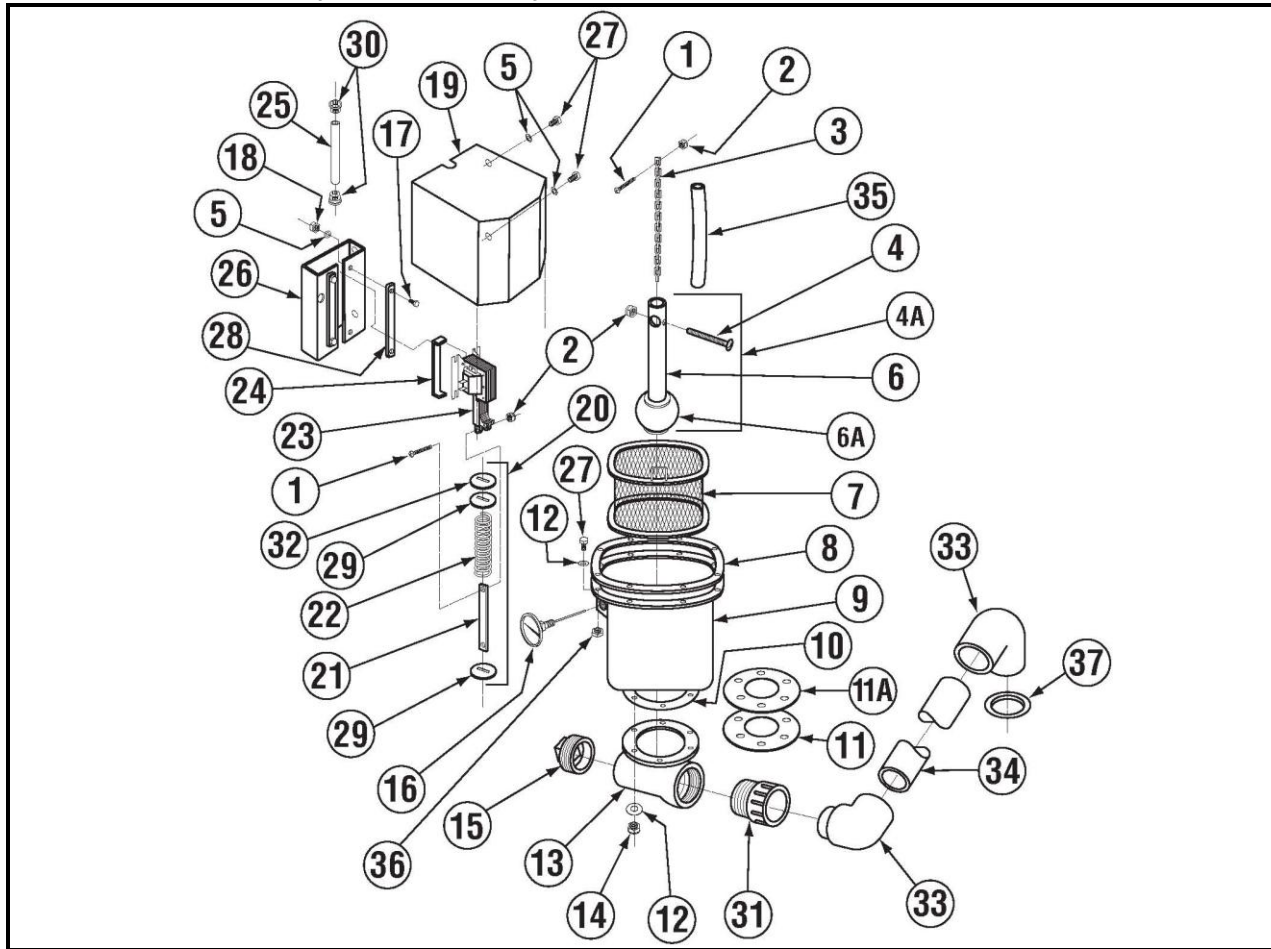


ITEM NO.	NO. REQ'D	P/N	DESCRIPTION
1	2	03812.00	8-32 x 5/8" Pan Head Screw
2	3	00927.00	8-32 Nylon Lock Nut
3	1	00110.07	Chain
4	1	00902.00	8-32 x 1-1/4" Pan Head Screw
4A*	1	00121.40	Drain Ball Assy.
5	6	00922.00	1/4" Lock Washer, Star
6	1	00121.56	Drain Ball Tube
6A	1	00121.41	Drain Ball Dome, Silicon
7	1	00115.08	Drain Screen Assembly
8	1	00112.06	Drain Sump Gasket
9	1	00111.26	Drain Sump
10	1	00114.00	Drain-Tee Gasket
11	1	00124.50	SS Drain Ball Seat (Optional)
	(Opt)	00125.00	Rubber Drain Ball Seat (Optional)
12	6	00924.00	1/4" SS Washer
13	1	00113.50	Drain-Tee
14	6	00920.00	5/16"-18 x 3/4" Screw
15	1	00130.00	1-1/2" PVC Drain-Tee End Plug
16	1	00120.02	Thermometer
17	4	00914.00	1/4"-20 x 3/4" Hex Head Screw
18	4	00923.00	1/4"-20 Nut w/ Grip Washer

*Includes items 6 and 6A **Includes items 1, 2, 21, 22, 29 and 36

ITEM NO.	NO. REQ'D	P/N	DESCRIPTION
19	1	01507.50	Solenoid Cover, A, B, C
20**	1	00122.00	Drain Solenoid Spring Assembly
21	1	01551.00	Solenoid Link
22	1	00105.00	Solenoid Spring
23	1	00100.40	Solenoid
24	1	01550.00	Solenoid Stop
25	1	00464.64	3/8" Solenoid Tubing AH/C
26	1	00102.00	Solenoid Base
27	1	00906.00	1/4"x20x1/2" Hex Head Bolt
28	2	00103.00	Solenoid Bar
29	2	00106.00	Split Washer (Large)
30	2	00936.00	3/12-250 Shorty Bushing
31	1	01313.00	2" PVC Slip x MPT Adapter
32	1	05030.10	2" x 3" PVC Tubing
33	2	01311.00	2" 90 Deg. Elbow, Slip x Slip
34	1	05030.20	2" x 8" PVC Tubing
35	1	41019.11	1/2" ID x 9" Clear Hose
36	1	00105.20	Drain Solenoid Linkage Washer
37	1	01318.00	Scrap Trap Donut Gasket
38	1	00122.60	Solenoid Base Back Plate For Corners

1.2.19. Drain System Assembly for Model B



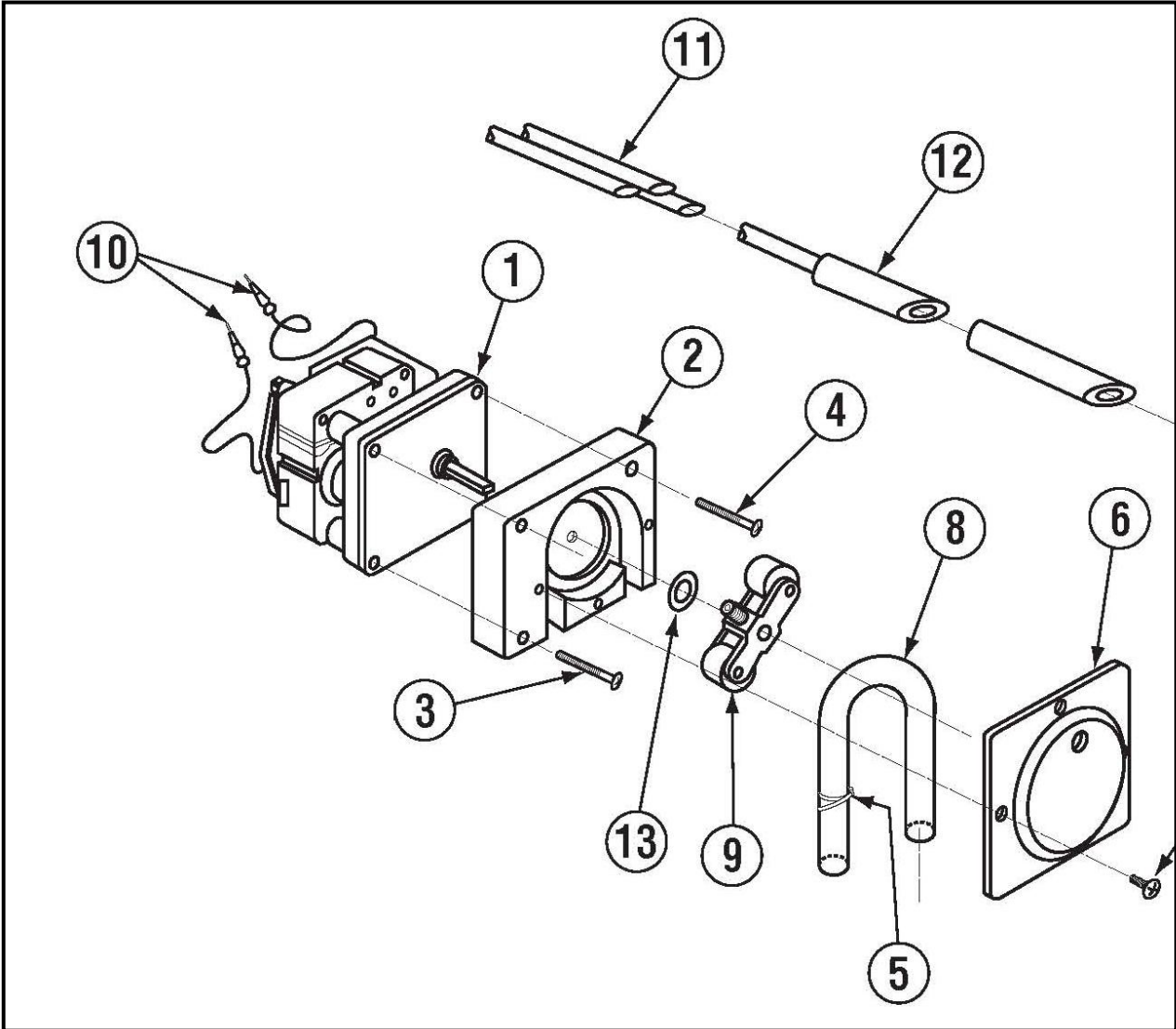
ITEM NO.	NO. REQ'D	P/N	DESCRIPTION
1	2	03812.00	8-32 x 5/8" Pan Head Screw
2	3	00927.00	8-32 Nylon Lock Nut
3	1	00110.07	Chain
4	1	00902.00	8-32 x 1-1/4" Pan Head Screw
4A*	1	00121.40	Drain Ball Assy.
5	6	00922.00	1/4" Lock Washer, Star
6	1	00121.56	Drain Ball Tube
6A	1	00121.41	Drain Ball Dome, Silicon
7	1	00115.30	Drain Sump Screen B
8	1	00112.03	Drain Sump Gasket B
9	1	00111.03	Drain Sump B
10	1	00114.00	Drain-Tee Gasket
11	1	00124.50	SS Drain Ball Seat (Optional)
	(Opt)	00125.00	Rubber Drain Ball Seat (Optional)
12	14	00924.00	1/4" SS Washer
13	1	00113.50	Drain-Tee
14	6	00915.00	1/4"x20 SS nut
15	1	00130.00	1-1/2" PVC Drain-Tee End Plug
16	1	00120.02	Thermometer
17	4	00914.00	1/4"-20 x 3/4" Hex Head Screw

*Includes items 6 and 6A

ITEM NO.	NO. REQ'D	P/N	DESCRIPTION
18	4	00923.00	1/4-20 Nut w/ Grip Washer
19	1	01507.50	Solenoid Cover, A, B, C
20**	1	00122.00	Drain Solenoid Spring Assembly
21	1	01551.00	Solenoid Link
22	1	00105.00	Solenoid Spring
23	1	00100.00	Solenoid
24	1	01550.00	Solenoid Stop
25	1	00464.63	3/8" Solenoid Tubing B
26	1	00102.00	Solenoid Base
27	1	00906.00	1/4"x20x1/2" Hex Head Bolt
28	2	00103.00	Solenoid Bar
29	2	00106.00	Split Washer (Large)
30	2	00936.00	3/12-250 Shorty Bushing
31	1	01313.00	2" PVC Slip x MPT Adapter
32	1	00105.20	Drain Solenoid Linkage Washer
33	2	01311.00	2" 90 Deg. Elbow, Slip x Slip
34	1	05030.20	2" x 8" PVC Tubing
35	1	41019.11	1/2" ID x 9" Clear Hose
36	6	00912.00	1/4"-20 Nylon Lock Nut
37	1	01318.00	Scrap Trap Donut Gasket

**Includes items 1, 2, 21, 22, 29 and 32

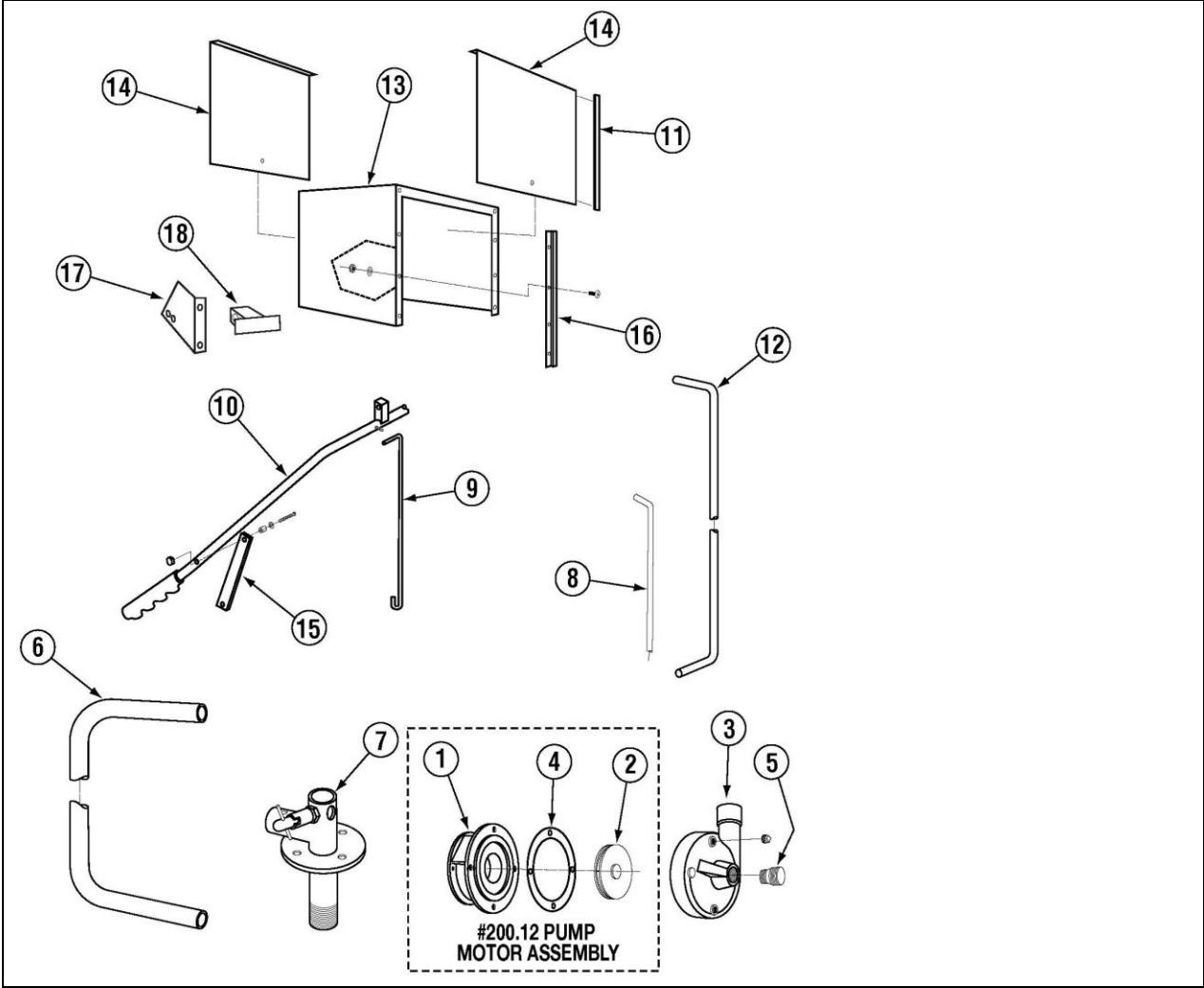
1.2.20. Peristaltic Pump Assembly



ITEM NO.	NO. REQ'D	P/N	DESCRIPTION
1	1	00416.00	Peristaltic Pump Motor
2	1	00417.10	Peristaltic Pump Block
3	2	00919.00	10-32 x 1-1/2" Pan Head Screw
4	1	00918.00	10-32 x 1-1/2" Fillister Head Screw
5	6	00932.00	Twist Tie
6	1	00418.00	Peristaltic Pump Block Cover
7	4	00911.00	8-32 x 1/2" Pan Head Screw

ITEM NO.	NO. REQ'D	P/N	DESCRIPTION
8	1	02257.00	Squeeze Tube
9	1	00419.00	2-Bearing Rotor Assembly
10	2	00448.00	Barrel Connector, Male
11	1	00425.51	Chemical Tubing, Blue
	1	00425.53	Chemical Tubing, Red
	1	00425.54	Chemical Tubing, White
12	3	00443.00	Tube Stiffener
13	1	00422.50	Rotor Spacer

1.2.21. Unique Parts For Scullery AH

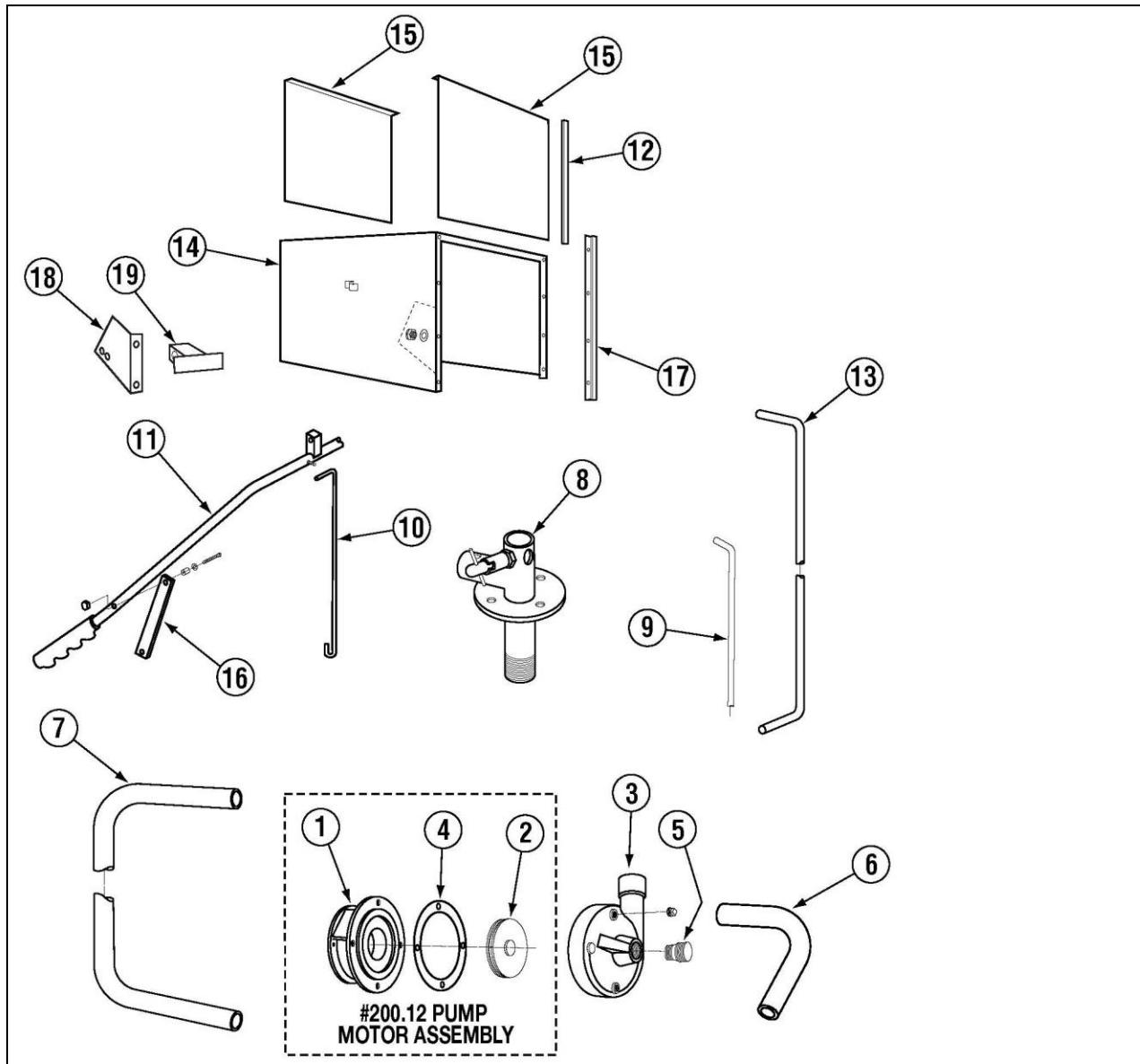


ITEM NO.	NO. REQ'D	P/N	DESCRIPTION
1	1	00202.00	Pump Base
2	1	00203.05	(Impeller) 4 1/2"
3	1	00204.00	Pump Cover Large
4	1	00205.00	Pump Gasket
5	1	00212.50	1 1/2" - 1 1/4" Adapter
6	1	00303.22	Manifold Scullary AH
7	1	00364.10	Lower Spray Base LP Short Assy
8	1	00464.22	SS Tubing For Sol. Wire (Scull AH)
9	2	00603.63	Door Spring Ext Rod UW & Scull

ITEM NO.	NO. REQ'D	P/N	DESCRIPTION
10	1	00613.22	Door Handle (Scullary)
11	4	00636.30	EZ Glide Plastic Dr Guide 31 3/4"
12	1	00795.12	Flush Tube (Scullary AH)
13	1	01500.22	Wrapper (Scullary-AH)
14	2	01506.20	Door (Scullary & CWS)
15	2	01553.20	Door Handle Link (S)
16	4	01554.50	EZ Glide Door Guide SS 33"
17	1	00563.40	Door Switch Bracket (8-08)
18	1	00563.43	Door Switch Actuator CMA-180T (1-10)

1, 2, 4 included in pump assy. # 200.12

1.2.22. Unique Parts For Scullery B

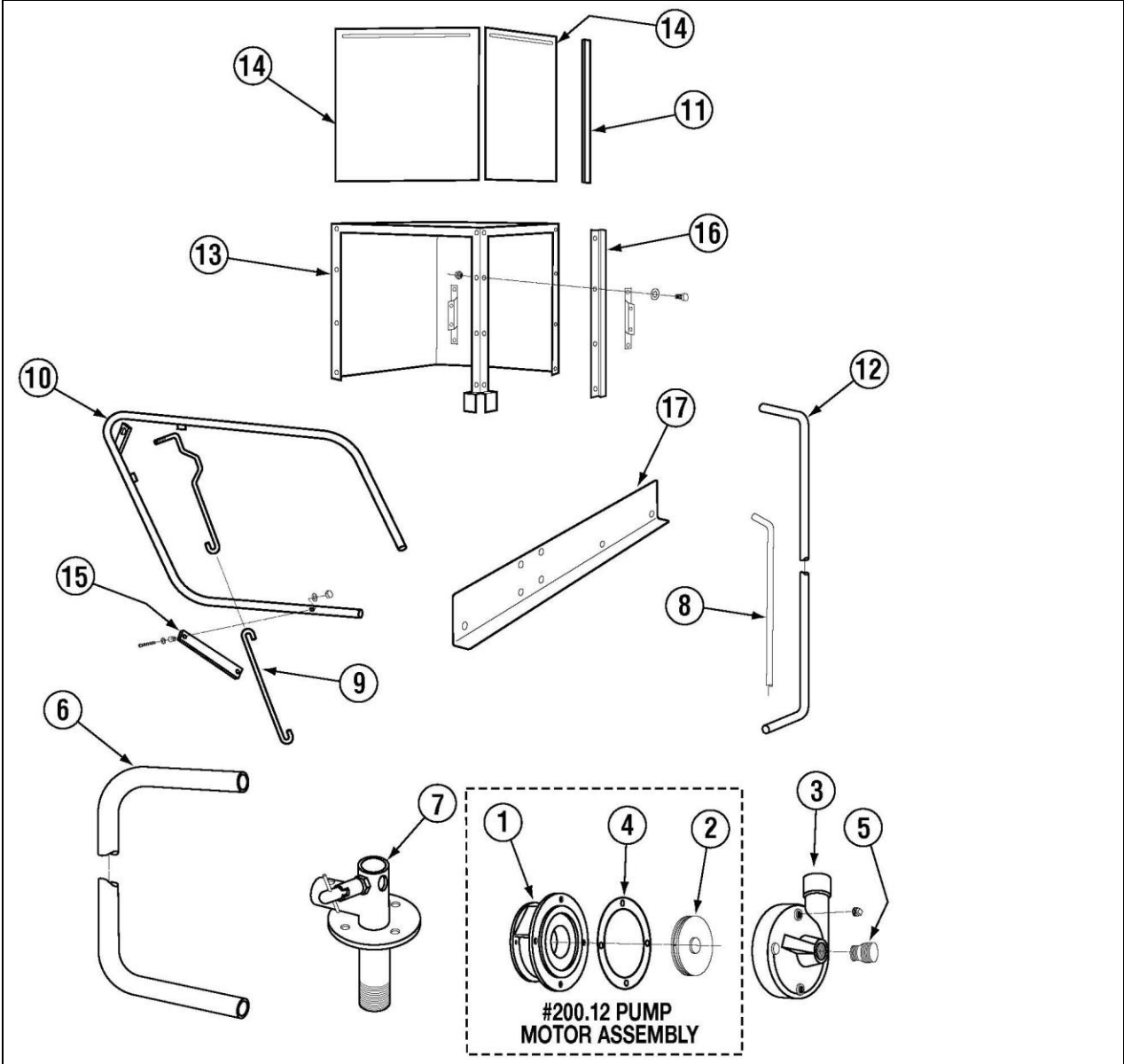


ITEM NO.	NO. REQ'D	P/N	DESCRIPTION
1	2	00202.00	Pump Base
2	2	00203.05	(Impeller) 4 1/2"
3	2	00204.00	Pump Cover Large
4	2	00205.00	Pump Gasket
5	2	00212.50	1 1/2" - 1 1/4" Adapter
6	1	00246.27	Suction Pipe Scull B Right
7	2	00303.23	Manifold Scullery B
8	2	00364.10	Lower Spray Base LP Short Assy
9	1	00464.23	SS Tubing For Sol. Wire (Scull B)
10	2	00603.63	Door Spring Ext Rod UW & Scull

ITEM NO.	NO. REQ'D	P/N	DESCRIPTION
11	1	00613.23	Door Handle (Scullery)
12	4	00636.30	EZ Glide Plastic Dr Guide 31 3/4"
13	1	00795.13	Flush Tube (Scullery B)
14	1	01500.23	Wrapper (Scullery-B)
15	2	01506.20	Door (Scullery & CWS)
16	2	01553.20	Door Handle Link (S)
17	4	01554.50	EZ Glide Door Guide SS 33"
18	1	00563.40	Door Switch Bracket (8-08)
19	1	00563.43	Door Switch Actuator CMA-180T (1-10)

1, 2, 4 included in pump assy. # 200.12

1.2.23. Unique Parts For Scullery C



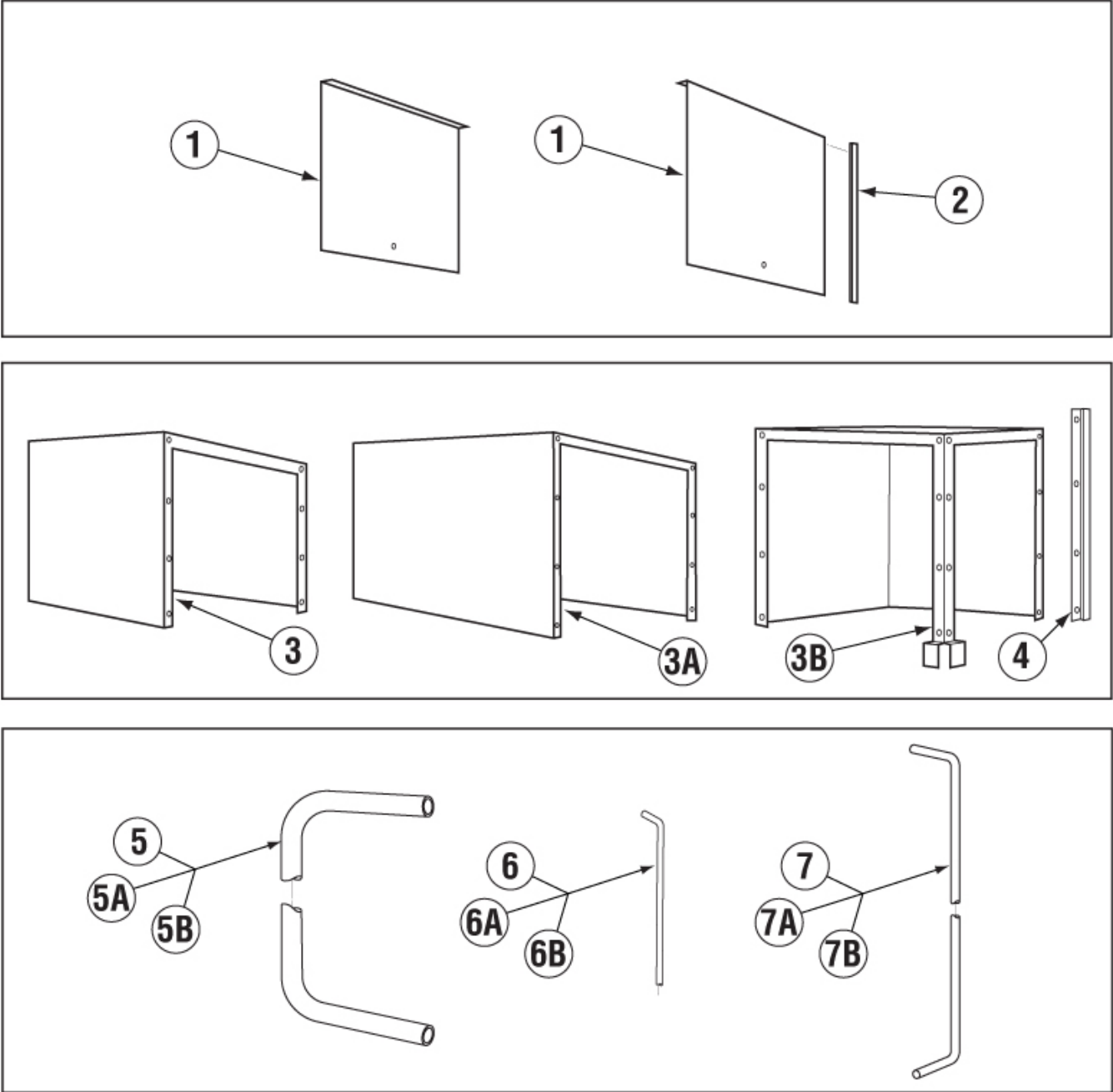
ITEM NO.	NO. REQ'D	P/N	DESCRIPTION
1	1	00202.00	Pump Base
2	1	00203.05	(Impeller) 4 1/2"
3	1	00204.00	Pump Cover Large
4	1	00205.00	Pump Gasket
5	1	00212.50	1 1/2" - 1 1/4" Adapter
6	1	00303.24	Manifold Scullery Corner
7	1	00364.10	Lower Spray Base LP Short Assy
8	1	00464.24	SS Tubing For Sol. Wire (Scull C)
9	1	00604.24	Door Extension Link (Scull C)

ITEM NO.	NO. REQ'D	P/N	DESCRIPTION
10	1	00613.34	Door Handle Scullery Corner
11	4	00636.30	EZ Glide Plastic Dr Guide 31 3/4"
12	1	00795.14	Flush Tube (Scullery C)
13	1	01500.24	Wrapper (Scullery-C)
14	2	01506.20	Door (Scullery & CWS)
15	2	01553.20	Door Handle Link (S)
16	4	01554.50	EZ Glide Door Guide SS 33"
17	2	01500.27	Scullery C Wrapper Brace

1, 2, 4 included in pump assy. # 200.12

Parts Manual

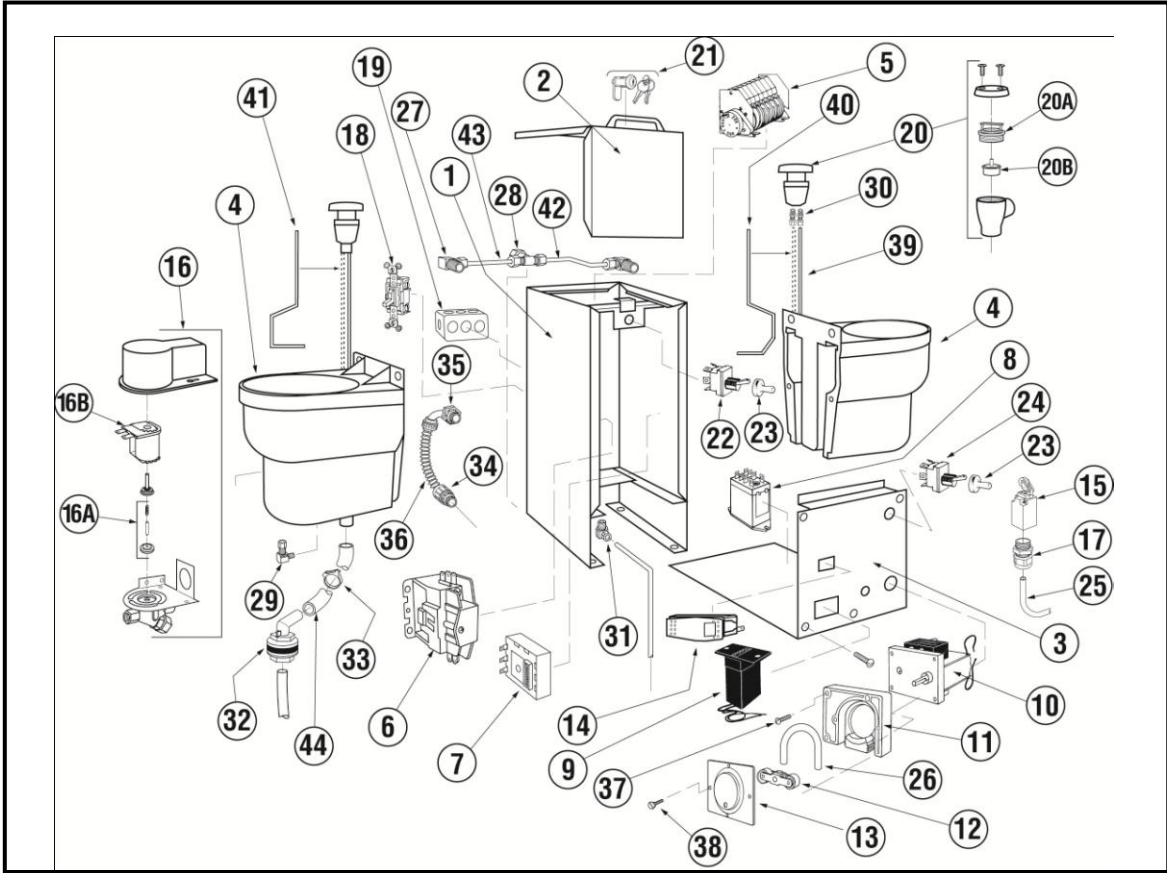
1.2.24. Unique Parts For Pizza Machines



ITEM NO.	NO. REQ'D	P/N	DESCRIPTION
1	2	17506.00	CMA-180/ Pizza Door
2	4	00636.17	EZ Glide Door Guide 26 1/4"
3	1	01530.12	Wrapper AH (Pizza)
3A	1	01530.22	Wrapper B (Pizza)
3B	1	01530.64	Wrapper C (Pizza)
4	4	17554.00	CMA-180/ Pizza Door Guide
5	1	00303.62	Manifold AH (Pizza)
5A	2	00303.63	Manifold B (Pizza)

ITEM NO.	NO. REQ'D	P/N	DESCRIPTION
5B	1	00303.64	Manifold C (Pizza)
6	1	00464.62	SS Tubing - AH Pizza (Sole Wire)
6A	1	00464.63	3/8 SS Tubing - B Pizza (Sole Wire)
6B	1	00464.64	3/8 SS Tubing - C Pizza (Sole Wire)
7	1	00795.62	Flush Tube AH Pizza
7A	1	00795.63	Flush Tube B Pizza
7B	1	00795.64	Flush Tube C Pizza

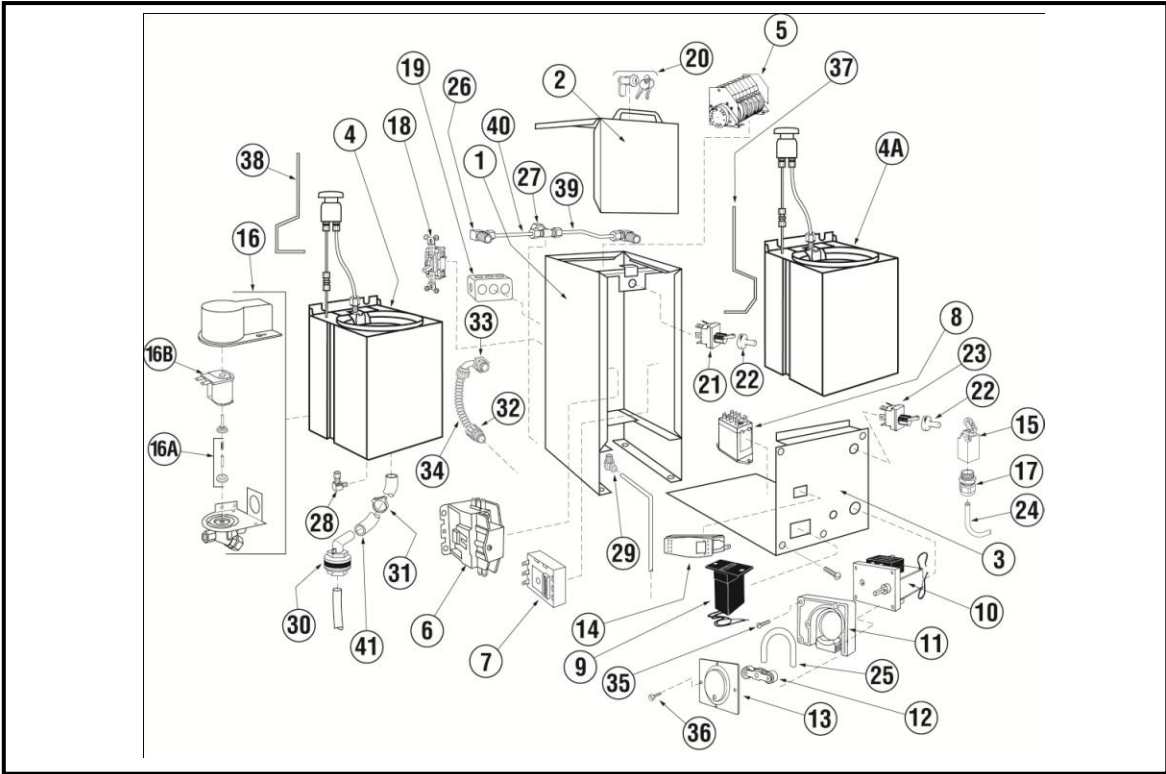
1.3. Optional Solid Bowl CMA (Exploded View)



ITEM NO.	NO. REQ'D	P/N	DESCRIPTION
1	1	01503.20	Solid Bowl Control Box
2	1	01504.20	Solid Bowl Control Box Lid
3	1	01503.25	Solid Bowl Slideout Tray
4	2	00461.00	Solid Bowl Dm #6000
5	1	00407.80	Timer, 90-sec. 8-cam
6	1*	00404.82	Motor Contactor, 120V *No. Req'd for Model B is 2
7	1	00630.50	Solid Detergent/Rinse Timer Relay
8	1	00631.00	Ice Cube Relay
9	1	03408.50	Counter (Panel Mount, Small)
10	1	00416.00	Peri-Pump Motor
11	1	00417.10	Peri-Pump Block
12	1	00419.00	Peri-Pump Rotor
13	1	00418.00	Peri-Pump Cover
14	1	00421.40	Start/Fill Switch with Amber Light
15	1	00562.00	Roller Door Switch
16	2	41015.00	Water Solenoid Valve, 1/4", 120V
16A	2	41015.40	1/4" Water Solenoid Valve Repair Kit
16B	2	41015.60	1/4" Water Solenoid Valve Coil
17	1	00562.60	Connector for Roller Switch
18	1	00433.10	Master Switch, 20 Amp
19	1	03420.00	Electrical Bell Box
20	2	40110.50	Solid Bowl, 1/4" Vacuum Breaker
20A	2	40110.25	Vacuum Breaker Bonnet
20B	2	40110.10	Vacuum Breaker Repair Kit

ITEM NO.	NO. REQ'D	P/N	DESCRIPTION
21	1	00449.00	Lock and Key
22	1	00475.00	Delimiter Switch
23	2	00470.10	Toggle Switch Rubber Boot
24	1	03470.00	Primer Switch
25	1	00546.00	18 AWG Switch Cord, 3 Feet
26	1	02257.00	Squeeze Tube
27	4	40112.00	1/4" Comp x 1/4" MIP Elbow
28	1	40116.10	1/4" TB x TB x TB Comp Tee
29	2	40118.00	1/4" Comp 1/8" MIP 90 Deg Elbow
30	4	40116.00	1/4" x 1/4" MIP Fitting
31	1	00436.00	3/8" 90 Deg Comp x MIP
32	2	40114.00	77 Deg Elbow, Bulkhead
33	2	40111.00	7/8" to 1" Snap Hose Clamp
34	4	00401.50	3/8" Black Nylon Straight Connector
35	2	00402.00	St. 90 Deg 3/8" Connector
36	1	00400.50	3/8" Black Flex Tubing, 2 Feet
37	2	00919.00	10-32 x 1-1/2" Panhead Bolt
38	4	00911.00	8-32 x 1/2" Panhead Screw
39	2	40110.30	1/4" Water Line, Vac. Breaker To Bowl
40	1	40110.35	1/4" Water Line, Wtr Sol. To Vac. Brk (R)
41	1	40110.40	1/4" Water Line, Wtr Sol. To Vac. Brk (L)
42	1	41016.00	1/4" Water Line, Tee to Water Sol. (R)
43	1	41016.10	1/4" Water Line, Tee to Water Sol. (L)
44	1	04603.00	5/8 ID x 7/8 OD CV Tubing

1.4. Optional Solid Bowl Sunburst Chemicals (AH and C)



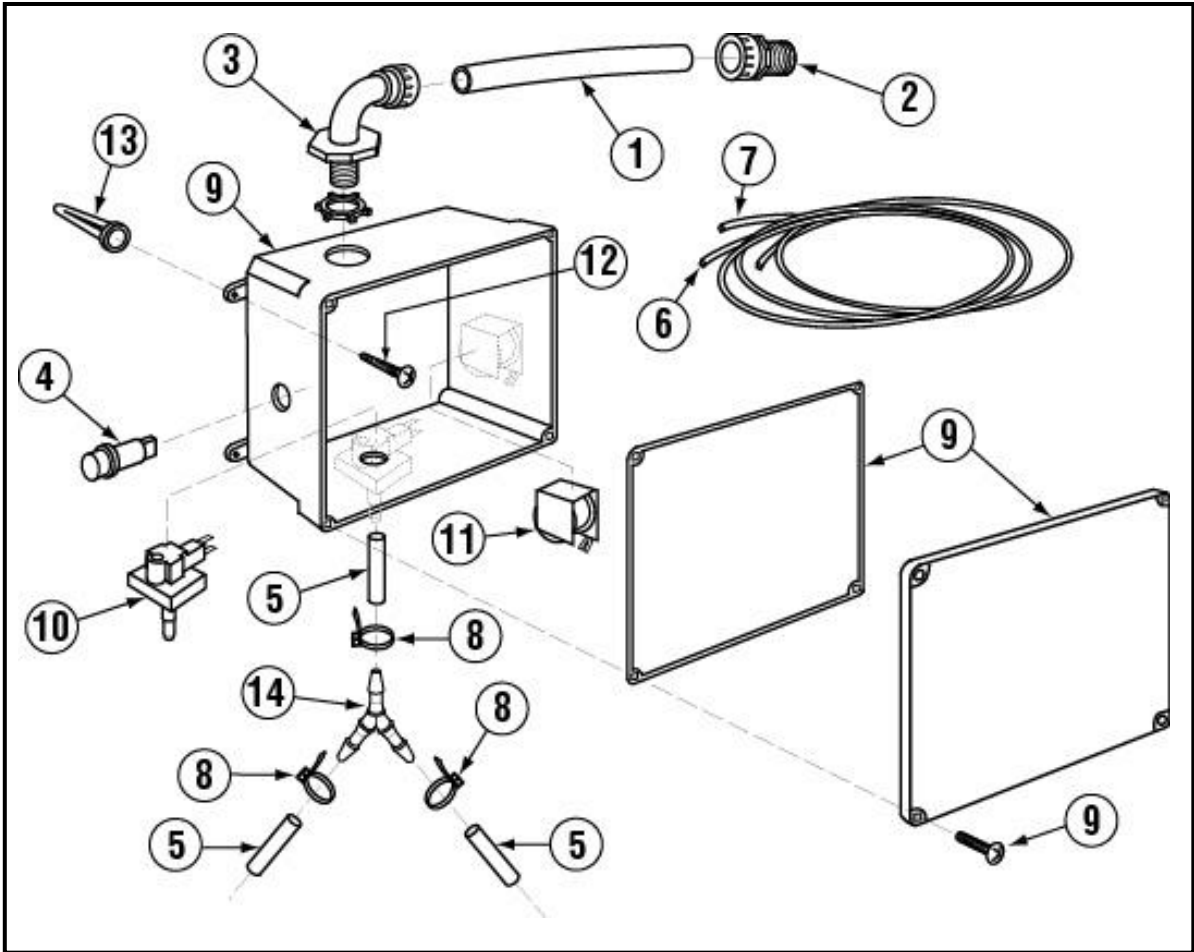
ITEM NO.	NO. REQ'D	P/N	DESCRIPTION
1	1	01503.20	Solid Bowl Control Box
2	1	01504.20	Solid Bowl Control Box Lid
3	1	01503.25	Solid Bowl Slideout Tray
4	1	18639.00	Detergent Bowl Kit
4A	1	18639.50	Rinse Bowl Kit
5	1	00407.80	Timer, 90-sec. 8-cam
6	1*	00404.82	Motor Contactor, 120V
7	1	00630.50	Solid Detergent/Rinse Timer Relay
8	1	00631.00	Ice Cube Relay
9	1	03408.50	Counter (Panel Mount, Small)
10	1	00416.00	Peri-Pump Motor
11	1	00417.10	Peri-Pump Block
12	1	00419.00	Peri-Pump Rotor
13	1	00418.00	Peri-Pump Cover
14	1	00421.40	Start/Fill Switch with Amber Light
15	1	00562.00	Roller Door Switch
16	2	41015.00	Water Solenoid Valve, 1/4", 120V
16A	2	41015.40	1/4" Water Solenoid Valve Repair Kit
16B	2	41015.60	1/4" Water Solenoid Valve Coil
17	1	00562.60	Connector for Roller Switch
18	1	00433.10	Master Switch, 20 Amp
19	1	03420.00	Electrical Bell Box

*No. Req'd for Model B is 2

ITEM NO.	NO. REQ'D	P/N	DESCRIPTION
20	1	00449.00	Lock and Key
21	1	00475.00	Delimer Switch
22	2	00470.10	Toggle Switch Rubber Boot
23	1	03470.00	Primer Switch
24	1	00546.00	18 AWG Switch Cord, 3 Feet
25	1	02257.00	Squeeze Tube
26	4	40112.00	1/4" Comp x 1/4" MIP Elbow
27	1	40116.10	1/4" TB x TB x TB Comp Tee
28	2	40118.00	1/4" Comp 1/8" MIP 90 Deg Elbow
29	1	00436.00	3/8" 90 Deg Comp x MIP
30	2	40114.00	77 Deg Elbow, Bulkhead
31	2	40111.00	7/8" to 1" Snap Hose Clamp
32	4	00401.50	3/8" Black Nylon Straight Connector
33	2	00402.00	St. 90 Deg 3/8" Connector
34	1	00400.50	3/8" Black Flex Tubing, 2 Feet
35	2	00919.00	10-32 x 1-1/2" Panhead Bolt
36	4	00911.00	8-32 x 1/2" Panhead Screw
37	1	40110.35	1/4" Water Line, Wtr Sol. To Vac. Brk (R)
38	1	40110.40	1/4" Water Line, Wtr Sol. To Vac. Brk (L)
39	1	41016.00	1/4" Water Line, Tee to Water Sol. (R)
40	1	41016.10	1/4" Water Line, Tee to Water Sol. (L)
41	1	04603.00	5/8 ID x 7/8 OD CV Tubing

1.5. Optional Sani Alarm (Exploded View)

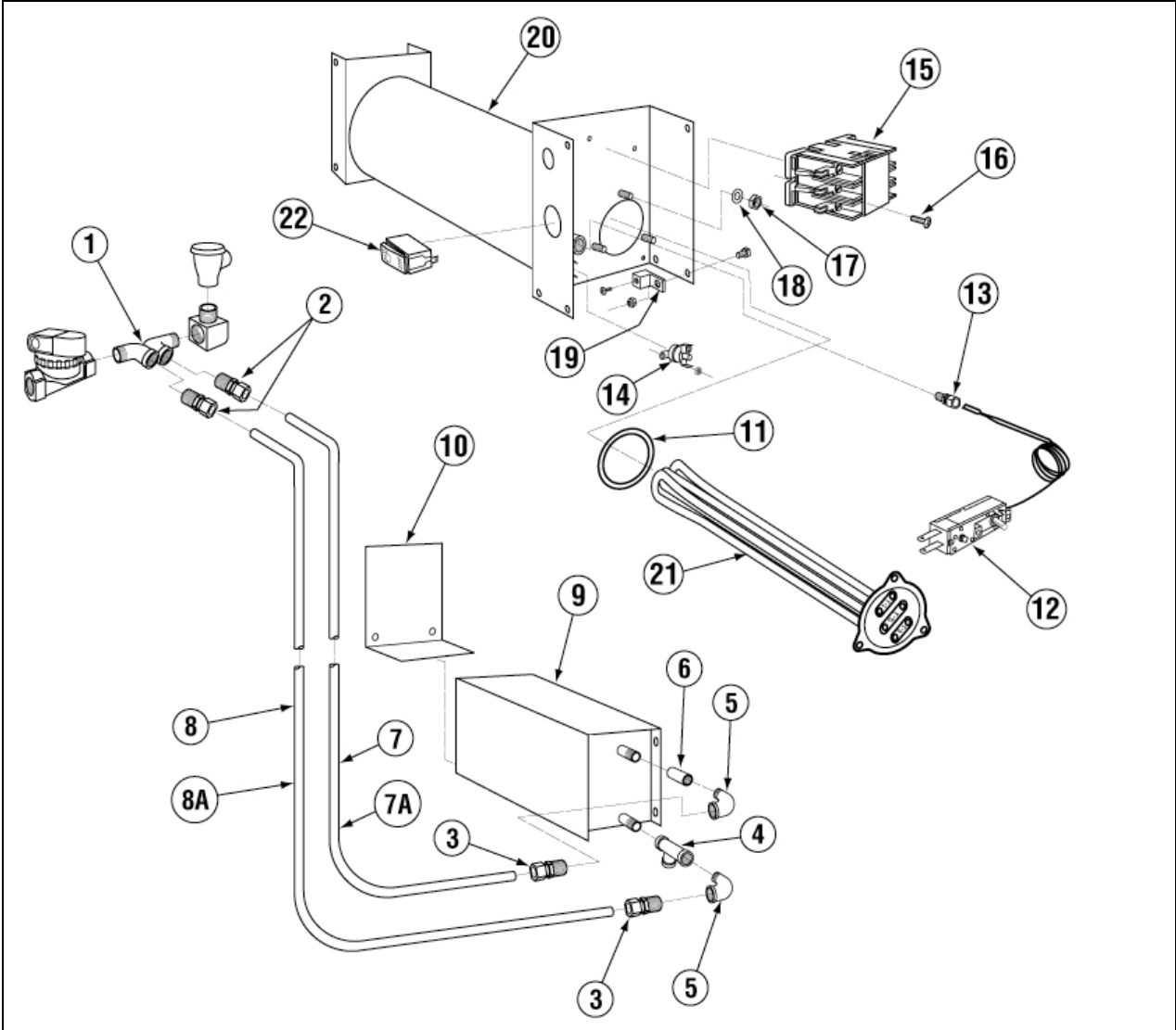
Part Number 12508.00



ITEM NO.	NO. REQ'D	P/N	DESCRIPTION
1	3	00400.00	Conduit, 3/8" Sealtite
2	1	00401.00	S.T. 3/8" Straight Connector
3	1	00402.00	S.T. 90 Degree 3/8" Connector
4	1	00406.00	Control Box Light, .5" Diameter, Red
5	1	00435.00	Squeeze Tube, 8"
6	1	00521.00	Wire, 18 Gauge, Orange, 6 ft.
7	1	00531.00	Wire, 18 Gauge, White, 6 ft.

ITEM NO.	NO. REQ'D	P/N	DESCRIPTION
8	5	00931.00	Wire Tie, Small
9	1	12510.00	Sanitizer Alarm Box Assembly
10	1	12511.50	Sanitizer Low Level Vacuum Switch
11	1	12512.00	Sanitizer Alarm Buzzer, 120 Volts
12	4	40126.10	#10 x 3/4" Sheet metal Screw
13	4	40127.00	Wall Anchors
14	1	00426.00	Y Hose Connector, 3/16"

1.6. Temp-Sure Heater.



ITEM NO.	NO. REQ'D	P/N	DESCRIPTION
1	1	13633.20	Booster Heater 3/4" in/out Adapter
2	2	00761.00	5/8" Comp. x 3/4" MIP Adapter
3	2	00760.00	5/8" Comp. x 1/2" MIP Adapter
4	1	00743.10	1/2" Tee FxFxF Brass
5	1	13620.00	1/2" S.S. Street Elbow
6	1	13618.00	1/2" S.S. Coupling
7	1	00793.00	Tempsure Discharge Line for AH
7A	1	00793.10	Tempsure Discharge Line for C
8	1	00794.00	Tempsure Intake Line for AH
8A	1	00794.10	Tempsure Intake Line for C
9	1	01594.20	3 Sided Heater Tank Shield
10	1	01594.10	Booster Heater Tank Access Cover

ITEM NO.	NO. REQ'D	P/N	DESCRIPTION
11	1	15518.11	Gasket for Triangular Flange Heater
12	1	13417.94	Thermostat for 12 KW Heater (EGO)
13	1	40116.00	1/4 Comp x 1/4 MIP Fitting
14	1	17523.51	Hi-Limit Switch 250 Deg.
15	1	13003.17	Contactor 60 Amp 3 Pole
16	2	00941.00	10-32x5/8" Panhead Screw
17	11	00912.00	1/4-20 Nylon Lock Nut
18	3	00924.00	1/4" S.S. Washer
19	1	13426.50	Ground Block
20	1	01595.40	Heater Tank for Tempsure
21	1	13422.71	240V 12KW Triangular Immersion Htr
22	1	00421.83	CMA-44 Rocker Switch Red