

INSTALLATION

- (1) Choose a mounting location within easy reach of the sink. Make sure the Sink Mate is at least 12 inches above the chemical supply container(s).
- (2) Mount the unit using the wall anchors provided.
- (3) Connect the water supply to the swivel garden hose connection. Optimum water pressure is 30 - 40 PSI (water pressure over 40 PSI may cause splash-out on Aire-Gap equipped units). It may be possible to use a saddle-clamp to plumb directly into the water line.

IMPORTANT

If proportioner is connected to a janitor's sink with an atmospheric vacuum breaker, a special connection kit is required by A.S.S.E. specification 1055. Failure to use this kit, or equivalent connection means, will invalidate the A.S.S.E. and I.A.P.M.O. (UPC) certification. Specify P/N 7600187 when ordering the kit.

NOTE:

Another possible connection is the Knight Faucet Plus Sink Adapter Kit (P/N 7114100). Contact your local Knight representative for details.

- (4) For 1 product units: Route the outgoing 3/4" vinyl tube up through the bottom of the unit and connect to the bottom of the mixing valve assembly. Flex-Gap equipped units have a "flow restrictor" inside the 3/4" tube — connect the tube so that the end with the flow restrictor is closest to the valve.

For 2 product units: A long 3/4" output hose is included so you can cut into needed lengths (many installations have one nearby sink tub, and the other is farther away). Flex-Gap equipped units have a "flow restrictor" inside both ends of the 3/4" tube. Cut the tube into the 2 lengths required for your installation, making sure that the end with the flow restrictor (if used) will be closest to the valve. Route the tubes up through the bottom of the unit and connect to the bottom of the mixing valve assemblies.

- (5) Route the discharge end of the 3/4" vinyl tube(s) to the sink, securing the tube(s) to the wall with the provided tie wraps (they have an "eyelet" for mounting hardware). Cut off any excess tube length not needed.
- (6) For 1 product units: Cut the 3/8" suction tube to a suitable length — the tube must reach from metering tip to bottom of chemical container.

For 2 product units: A long 3/8" suction tube is included with the unit, so you can cut into needed lengths. Cut the tube into the 2 lengths required for your installation — the tubes must reach from metering tips to bottom of chemical containers.

- (7) Insert the appropriate metering tip into the valve(s) — see the following page for tip selection.
- (8) Route the suction tube(s) up through the bottom of the unit and slide the tube(s) over the metering tip. Secure in place with a tie wrap.
- (9) Slide a ceramic weight onto the pickup end of the suction tube, then insert a footvalve into the tube.
- (10) Drop the suction tube(s) into the chemical container(s), ensuring that the ceramic weight pulls the footvalve(s) down to the bottom of the container(s).



CAUTION: Wear protective clothing and eyewear when dispensing chemicals or other materials. Observe safety handling instructions (MSDS) of chemical mfrs.



CAUTION: When installing any equipment, ensure that all national and local safety and plumbing codes are met.

OPERATION

Turn the "T" handle (on the ball valve) counter-clockwise to open the valve, and clockwise to close it. Check all connections for leaks and verify that chemical is being pulled up suction line. Make any necessary adjustments and the unit is then ready to go!

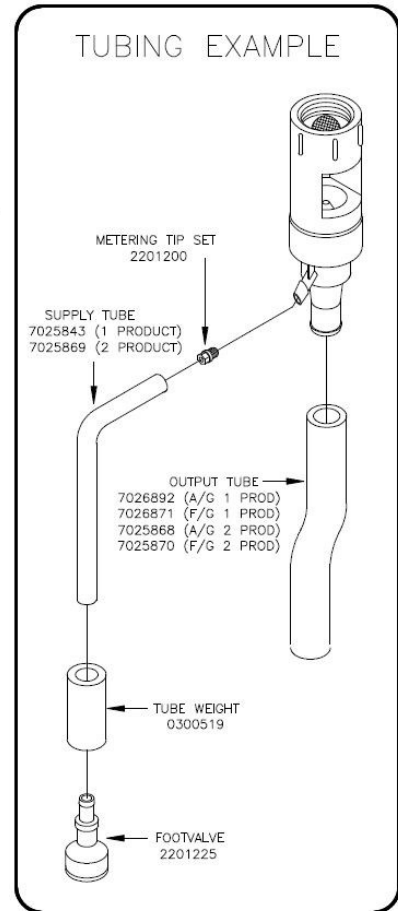
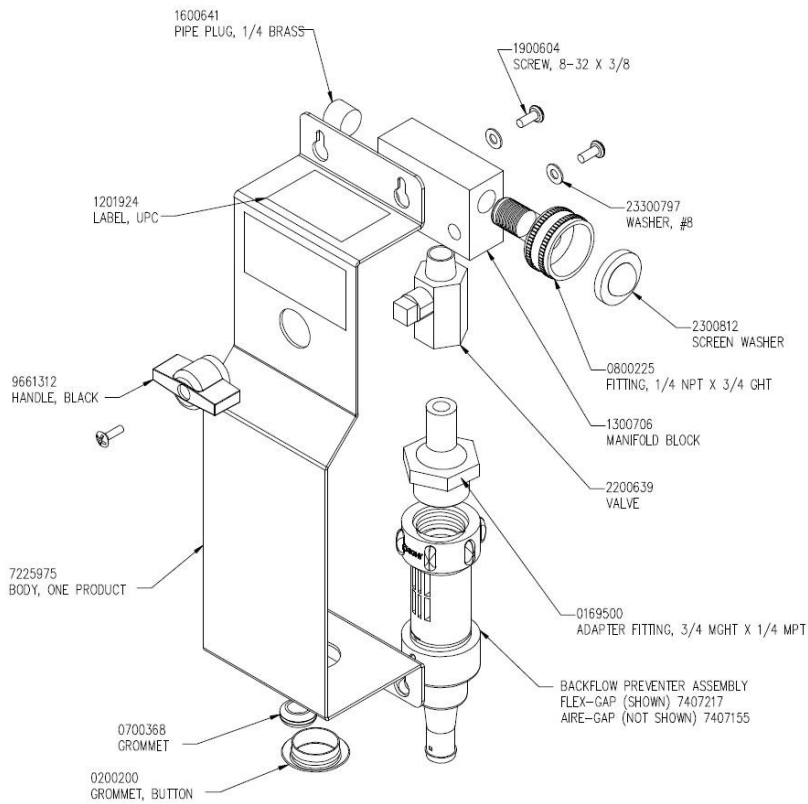
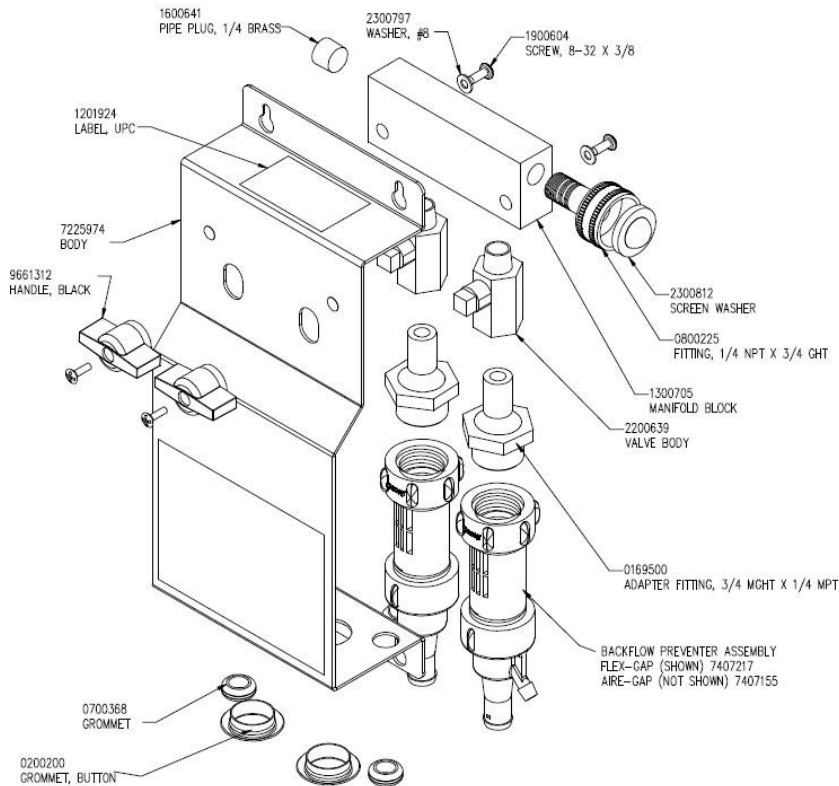
METERING TIP SELECTION

The chart below is based upon the chemical viscosity of water (CPS = 1.0) and should only be used as a guide. Actual ratios and flow rates may vary due to product viscosity, flow pressure, and tubing distance. To easily calculate the actual ounces per gallon for a specific product:

- (1) Fill graduated cylinder or spray bottle (that has ounce markings) with product.
- (2) Install metering tip closest to desired ounces per gallon from chart.
- (3) Drop chemical pick-up tube into the container holding the product.
- (4) Activate valve until chemical line is primed up to the metering tip.
- (5) Note how many ounces of product are in the container.
- (6) Activate valve again, filling a one gallon jug with water/product mix.
- (7) Note how many ounces of product were used — this is your actual ounce per gallon ratio.

TIP COLOR	AIRE-GAP (3 GPM)		FLEX-GAP (4 GPM)	
	OZ/GAL	RATIO	OZ/GAL	RATIO
NO INSERT	21	5.1:1	25	4.3:1
WHITE	20	5.4:1	20	5.4:1
YELLOW	18	6.1:1	18	6.1:1
PINK	16	7.0:1	16	7.0:1
GREEN	12	10:1	12	12:1
BLACK	10	12:1	10	15:1
BROWN	7	17:1	7	20:1
GRAY	5	25:1	5	31:1
BLUE	4	31:1	4	42:1
RED	3	42:1	3	63:1
PEACH	2	63:1	2	72:1
LT BLUE	1.5	84:1	1.5	101:1
PURPLE	1	127:1	1	127:1
LT GREEN	0.75	170:1	0.75	170:1
ORANGE	0.50	255:1	0.50	255:1
LT BROWN	0.25	511:1	0.25	511:1

SINK MATE ASSEMBLY DIAGRAM



FLEX-GAP ANNUAL CLEANING AND TEST PROCEDURES FOR UNITS INSTALLED IN CANADA

Each year, your chemical dispenser must be cleaned and its backflow prevention performance verified. As this device is an end-of-line device (versus an in-line device) and evidence of effective backflow prevention is determined visually, a two-minute pressure test is not necessary.

If the Flex-Gap device cannot readily be seen during the test procedure, the housing of the chemical dispensing unit must be removed during testing. Apply the appropriate test procedure below as applicable for your chemical dispensing unit.

4 GPM VENTURIS

1. Fill discharge hose with water by opening the valve.
2. When water begins to exit the discharge hose turn off the water and raise the end of the hose above the Flex-Gap.
3. Observe that water is exiting the Flex-Gap.
4. If the water is exiting the Flex-Gap it has passed the test.
5. If the water is not exiting from the Flex-Gap, replace the Flex-Gap sleeve as per the instruction manual and re-test.
6. If the water is not exiting from the Flex-Gap after replacing the sleeve and re-testing, replace the complete Flex-Gap assembly and re-test.
7. If the water is not exiting from the Flex-Gap after replacing the Flex-Gap assembly, disconnect the water supply and replace the complete unit.

1 GPM VENTURIS

1. Remove the Fill Tube Spout and replace with a 4-foot length of 1/2" ID hose.
2. Fill the discharge hose with water by opening the valve.
3. When water begins to exit the discharge hose, turn off the water and raise the end of the hose above the Flex-Gap.
4. Observe that water is exiting the Flex-Gap.
5. If the water is exiting the Flex-Gap, it has passed the test.
6. If the water is not exiting from the Flex-Gap, replace the Flex-Gap sleeve and re-test.
7. If the water is not exiting from the Flex-Gap after replacing the sleeve and re-testing, replace the complete Flex-Gap assembly and re-test.
8. If the water is not exiting from the Flex-Gap after replacing the Flex-Gap assembly, disconnect the water supply and replace the complete unit.

DISCLAIMER

Knight LLC does not accept responsibility for the mishandling, misuse, or non-performance of the described items when used for purposes other than those specified in the instructions. For hazardous materials information consult label, MSDS, or Knight LLC. Knight products are not for use in potentially explosive environments. Any use of our equipment in such an environment is at the risk of the user, Knight does not accept any liability in such circumstances.

WARRANTY

All Knight controls and pump systems are warranted against defects in material and workmanship for a period of ONE year. All electronic control boards have a TWO year warranty. Warranty applies only to the replacement or repair of such parts when returned to factory with a Knight Return Authorization (KRA) number, freight prepaid, and found to be defective upon factory authorized inspection. Bearings and pump seals or rubber and synthetic rubber parts such as "O" rings, diaphragms, squeeze tubing, and gaskets are considered expendable and are not covered under warranty. Warranty does not cover liability resulting from performance of this equipment nor the labor to replace this equipment. Product abuse or misuse voids warranty.

FOOTNOTE

The information and specifications included in this publication were in effect at the time of approval for printing. Knight LLC reserves the right, however, to discontinue or change specifications or design at any time without notice and without incurring any obligation whatsoever.

KNIGHT LLC www.knightequip.com

Knight Headquarters
USA Toll Free

Tel: 949.595.4800
Tel: 800.854.3764

Fax: 949.595.4801
Fax: 800.752.9518