

DEMA 5801V.BV & DEMA 5801V.BV.B

MANUAL SOLID BOWL FEEDER INSTALLATION INSTRUCTIONS



Overview

The DEMA® Manual Solid Bowl Feeder is for use with a solid product being put into a reservoir. The Bowl features a bypass line to allow the proper dilution of product from the bowl to put into the three-compartment sink or another container. It is operated by the ball valve on the inlet which controls the flow to the product and the bypass line.

Warnings



All installations must conform to local plumbing codes and use approved backflow prevention devices. A pressure indicating tee is to be installed with existing faucets according to local plumbing codes in the state of Wisconsin and any other state that requires the use of a pressure indicating tee.



ALWAYS WEAR PROTECTIVE CLOTHING AND EYEWEAR WHEN WORKING WITH CHEMICAL PRODUCTS.

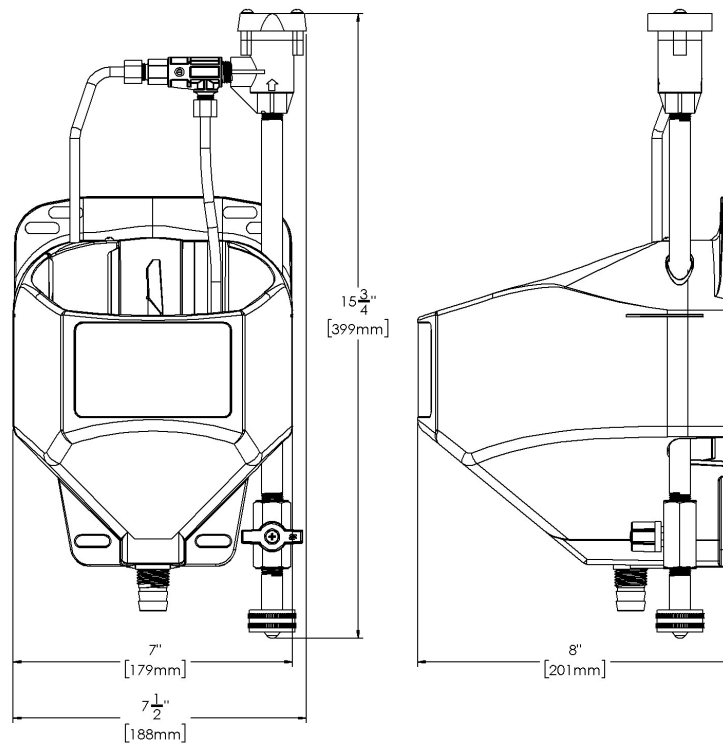
Specifications

Operational Requirements

- Max./Min. Pressure 80 PSI, 30 PSI
- Max./Min. Temperature 160 DEG F, 110 DEG F

Water temperature should be kept between 120°F - 140°F. [Water Temperature should ***NEVER*** exceed 160°F]

Overall Size



Installation & Operation

Wall Mounting

1. Use mounting holes to pick mounting position on wall.
2. Mount the bowl on the wall using mounting hardware.

Connection to Water Supply

1. Attach hose from water supply to inlet side of the ball valve.

Installation & Operation Continued...

Chemical Dilution Adjustment

Chemical dilution can be adjusted using a metering screw located just above the bowl. Turning the screw clockwise decreases the amount of chemical and turning it counterclockwise increases the amount. Turn the screw clockwise until it stops to use the chart below and the number of turns from closed to determine the amount of product needed. No noticeable adjustment will occur past four turns out. Seven full turns out will completely loosen the screw. The chart below is for reference only. Test and adjust as required.

	Bypass @ 20 PSI	Bypass @ 30 PSI	Bypass @ 40 PSI	Bypass @ 50 PSI
Approx. bypass water at all settings	.99 GPM	1.27 GPM	1.48 GPM	1.71 GPM

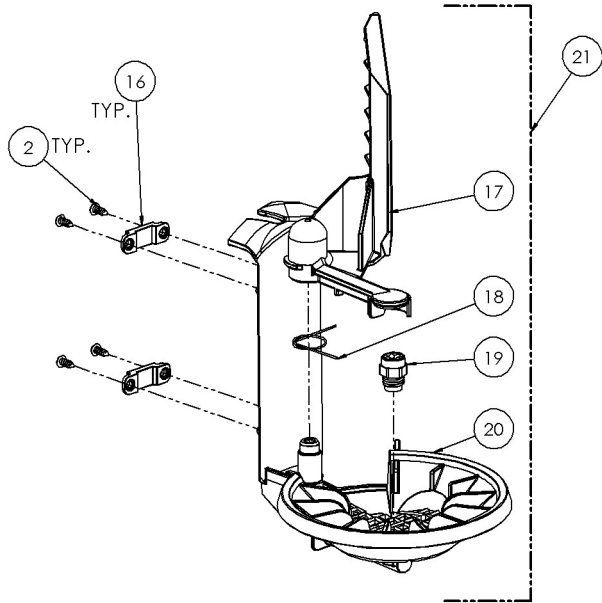
# of Turns from Closed	Oz/min @ 20 PSI	Oz/min @ 30 PSI	Oz/min @ 40 PSI	Oz/min @ 50 PSI
1 turn	7.1	9.1	11.4	12.4
2 turns	19.6	24.7	28.9	32.5
3 turns	44.4	56.3	66.6	74.1
4 turns	62.9	77.4	91.6	103.9

**Note: The numbers listed are only the water that passes through the spray arm.
This does not include the bypass water.**

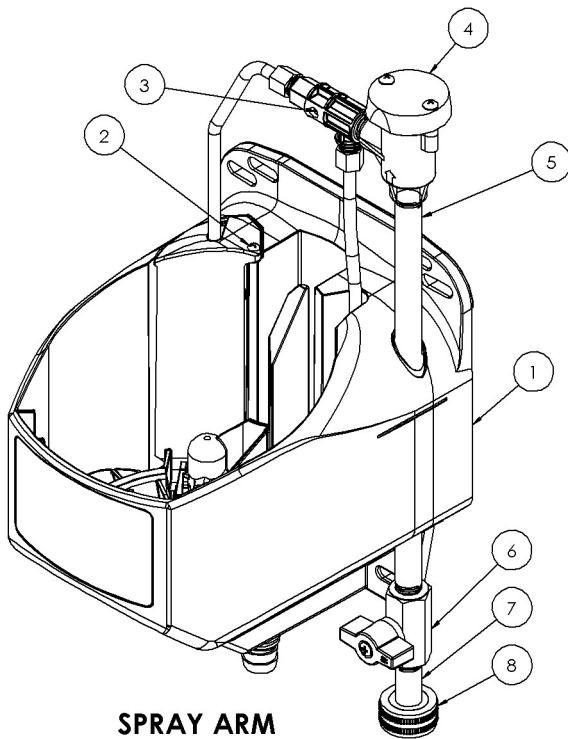
Troubleshooting

Symptom	Probable Cause	Remedy
Too much product is getting into the container/Too little product is getting into the container.	1. Set screw not set properly.	1. Check to make sure the set screw is in the unit and is tightened down properly using the table above.
	2. Bypass clogged or not working.	2. Look at the tubing to see if any clogs appear, watch the outlet tubing to be sure water is coming out of it. Remove clog if found.

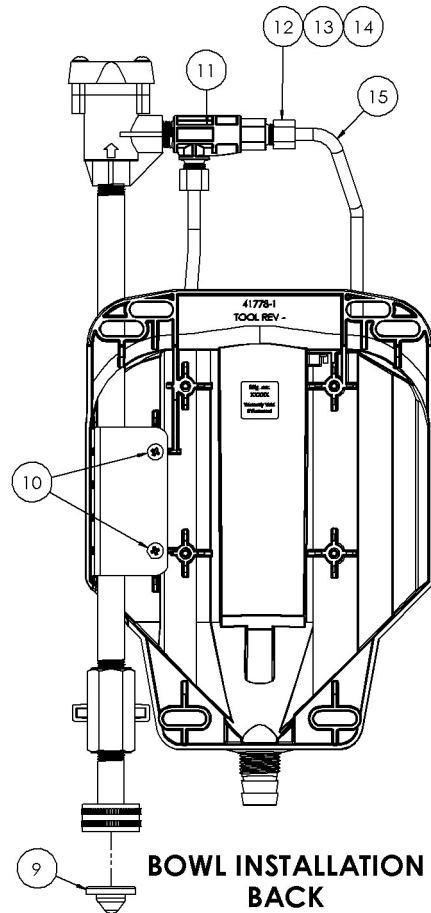
5801 SERIES VIKING BOWL PARTS LIST – MANUAL BOWL		
ITEM NO.	DEMA NO.	DESCRIPTION
1	41778-1	BOWL BODY
2	81-18-1	#6 x 3/8' HI-LO SCREW, SS [QTY. 5]
3	100-24	METERING SCREW W/ O-RING
4	58-2C	VACUUM BREAKER [JACO]
	58-2B	VACUUM BREAKER [METAL]
	58-2	VACUUM BREAKER [JG]
5	41774-1	VACUUM BREAKER BRACKET WELDMENT
6	16-11	BALL VALVE 1/4" NPT-FEMALE X FEMALE
7	65-10-2	COUPLING, NICKEL PLATED
8	65-17-3	G.H. SWIVEL ADAPTER 1/4 NPT PLATED
9	100-38	STRAINER WASHER
10	44-116-1	#8 HI-LO SCREW X 1/2" LONG [QTY. 2]
11	41781-1	BOWL DIVERTER VALVE
12	33-34	COMPRESSION NUT [QTY. 2]
13	40-980-1	TUBE SUPPORT FOR 1/4" O.D. PLASTIC COMP. TUBE FITTING [QTY. 2]
14	33-32	COMPRESSION SLEEVE [QTY. 2]
15	64-13-1	1/4" TUBING, PVC, 15" LONG [QTY. 2]
16	41782-1	BOWL TUBING CLAMP [QTY. 2]
17	41780-1	BOWL DIVERTER ARM
18	41789-1	TORSION SPRING
19	58-311	STANDARD NOZZLE [POWDER & SOLID]
	58-315	POWDER NOZZLE [POWDER ONLY]
	58-316	CONE NOZZLE [POWDER & SOLID]
	58-317	NBD NOZZLE [FOR LOW PRESSURE]
20	41779-1	SPRAY ARM
21	58-324	COMPLETE SPRAY ARM ASSEMBLY KIT
22	58-7-5	5' LENGTH OF 5/8" ID X 7/8" OD TUBING [OUTLET]
23	58-318	ELBOW [BULKHEAD] FITTING COMPLETE
24	58-319	STANDARD HARDWARE BAG



**SPRAY ARM
PARTS [AS LISTED]**



**SPRAY ARM
BOWL INSTALLATION
ISOMETRIC/FRONT**



**BOWL INSTALLATION
BACK**

Warranty

Merchandise Returns

***No Merchandise will be Returned for Credit Without DEMA'S Written Permission.
Returned Merchandise Authorization Number is Required in Advance of Return.***

Product Warranty

DEMA® products are warranted against defective material and workmanship under normal use and service for one year from the date of manufacture. This limited warranty does not apply to any products that have a normal life shorter than one year or failure and damage caused by chemicals, corrosion, physical abuse, or misapplication. Rubber and synthetic rubber parts such as "O"-rings, diaphragms, PVC tubing, and gaskets are considered expendable and are not covered under warranty. This warranty is extended only to the original buyer of DEMA products. If products are altered or repaired without prior approval of DEMA, this warranty is void.

Defective units or parts should be returned to the factory with transportation prepaid. If inspection shows them to be defective, they will be repaired or replaced without charge, F.O.B. factory. DEMA assumes no liability for damages. Return merchandise authorization number must be granted in advance of returned units for repair or replacement (See "Merchandise Returns" above).