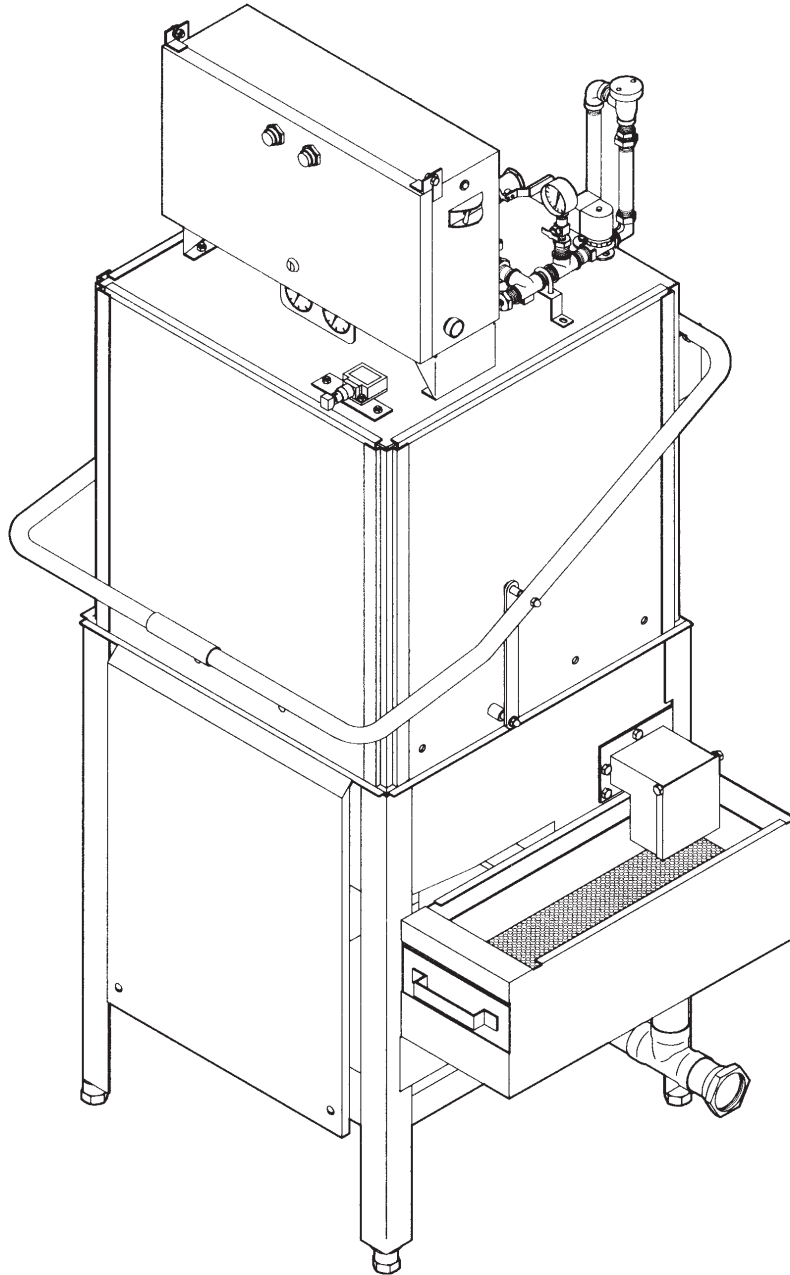


EFFECTIVE: MAY 1, 2018

American Dish Service

ADS HIGH TEMP SINGLE RACK DISHMACHINE
MODELS: HT-25 4 WIRE 220 Volt Control System



PARTS MANUAL

900 Blake Street
Edwardsville, Kansas 66111
(913)-422-3700

© 05/2018

The **American Dish Service** part numbers contained in this publication are replacement parts for equipment listed with governmental and regulatory agencies and are specified to maintain the regulatory mark and certification. These parts must only be replaced by those who are trained in the operation and service of commercial dishmachines. Aftermarket parts or modified parts are not compliant or listed with the standards of governmental and regulatory agencies; aftermarket parts are not authorized by ADS for replacement repairs. ADS will not be responsible for any liability if parts are used in the repair of the machine that are not ADS-specified, by those installing non-certified replacement parts or attempts to change the machine's cycle or operation other than as designed and certified. **Read the warnings and cautions provided below before working on or replacing parts on any ADS equipment.**



DANGER

The installation of electrical parts contained in this publication require the following precautions:

The electrical power supplied to this machine is an imminent hazard to life that could result in severe bodily injury or death if not properly installed or connected correctly. When working in the control box or on electrical parts, always disconnect power and perform the appropriate lock-out/tag-out procedure before servicing. Replace the cover to the control box and other protective covers when finished with servicing this equipment before returning the machine to normal operation.

LOOSE ELECTRICAL CONNECTIONS: Damage to the equipment can occur if the following precautions are not observed. Before connecting power to the machine, check all electrical terminals in the control box. Screws can loosen in transit. Loose connections on high amp load terminals such as the pump motor and tank heaters will cause wire burning and component damage during operation and will not be covered under ADS warranty.

"CLEAN CIRCUIT" means the electrical circuit breaker for the dishmachine supplies no other outlets, machines, or lights. GFCI outlets are not recommended for commercial dishmachines; ADS recommends that a single-rack machine be installed with the wire connection (hard-wired) directly from the circuit breaker. All high temp and conveyor equipment must be hard wired. If a plug and socket are used to provide electrical power to a dishmachine in a commercial kitchen, then according to electrical code it must be a GFCI, but not all GFCIs are the same. They must be rated for the Amp draw for the designed circuit.

For Reference: The NEC Article 210.8 regarding GFCI Protection (B) Other Than Dwelling Units (2) Commercial and Institutional Kitchens. All 15 and 20A, 125V receptacles installed in kitchens, even those that do not supply the countertop surface, must be GFCI protected.



WARNING

The chemical feeders and controls contained in this publication require the following precautions:

READ Manufacturer's Manual before Using this Product. For your safety read and observe all warnings in these instructions. While performing installation of parts described in this booklet, wear approved Personal Protective Equipment, including chemically resistant gloves and Safety Eye-Wear.

CHEMICALS: There are potentially hazardous situations when working with industrial cleaning chemicals for dishmachines. See chemical manufacturer's safe practices and SDS or MSDS sheets for handling and installing chemicals and supply containers.

Chemicals can damage or corrode plumbing and stainless parts of the dishmachine. Do not run chemical lines over controls or plumbing. Always secure chemical lines and check regularly for leaks. **If not properly handled, chemicals can cause serious bodily injury.** In the event of chemical contact to skin or eyes; wash immediately with fresh water and seek medical attention.

DE-LIMING THE MACHINE: Because of potential hazards resulting from the combination of chlorine with acid solution, only authorized trained individuals must be allowed to de-lime a commercial dishmachine.

CONTAINERS: The ADS chemical delivery system is designed for 5 gallon pails of industrial low-energy chemical products. Always use chemical resistant safety gloves and safety goggles (indirect-vented or non-vented) when changing chemical

CONTAINERS: The ADS chemical delivery system is designed for 5 gallon pails of industrial low-energy chemical products. Always use chemical resistant safety gloves and safety goggles (indirect-vented or non-vented) when changing chemical buckets. Immediately report spills and refer to your chemical suppliers SDS safety data sheet or MSDS material safety data sheet for information if chemical comes in contact with skin or eyes.

Any modifications to the chemical delivery system for smaller containers must include Closed Loop Chemical Containers (spill proof bottles) in a secured racking system. It is the responsibility of the user of the machine to purchase chemicals in spill proof containers. **FAILURE CAN RESULT IN SERIOUS INJURY.** Never place chemicals in open containers or containers that can be easily tipped over when moving or changing product. Failure to do so will void your ADS warranty.

Chemical supplies must be kept in closed delivery containers to avoid spills or contamination. Do not place chemical solutions in open containers or containers that can be easily tipped over in moving or changing.

Do not open the doors while the machine is in operation. Doing so could result in serious bodily injury from spraying hot water and chemicals.



CAUTION

The door lever arm parts in this publication are installed under spring tension and caution is needed whenever parts are changed. Wear safety glasses when working on the doors and lever. Care should be taken when moving, installing, or replacing any door lever arm parts. Use the ADS lever arm tool to unload the door spring during replacement or adjustment. The spring tension suddenly released can result in pinch or blunt trauma, and puncture wounds. If a wound occurs from the release of spring tension, wash the wound area immediately because of the soils that can accumulate on the metal parts and seek medical attention.

NOTICE

BEFORE YOU BEGIN: American Dish Service provides this information as a service to our customers. **Keep all instructions for future reference.** ADS reserves the right to alter or update this information at any time. Should you desire to make sure that you have the most up-to-date information, we would direct you to the appropriate document on our web site: www.americandish.com. **It is your obligation as the customer to ensure that the replacement parts for the machine are installed safely and properly, and when completed, the machine is left in proper and safe working order.** Electrical, Plumbing, and Chemical hookup must be performed by a qualified professional who will ensure that the equipment is installed in accordance with all applicable Codes, Ordinances, and Safety requirements. Failure to follow the installation instructions will void the warranty. **ADS assumes no liability or control over the installation of the equipment or replacement parts. Product failure due to improper installation is not covered under the ADS Warranty.**

Plumbing parts:

When working on the water inlet manifold, first relieve the water line pressure by turning off the water supply to the machine then energize the machine's fill valve. By doing this the manifold will empty of water. Turn off the electrical power and lock out/tag out the machine. It will then be safe to open the plumbing inlet manifold.

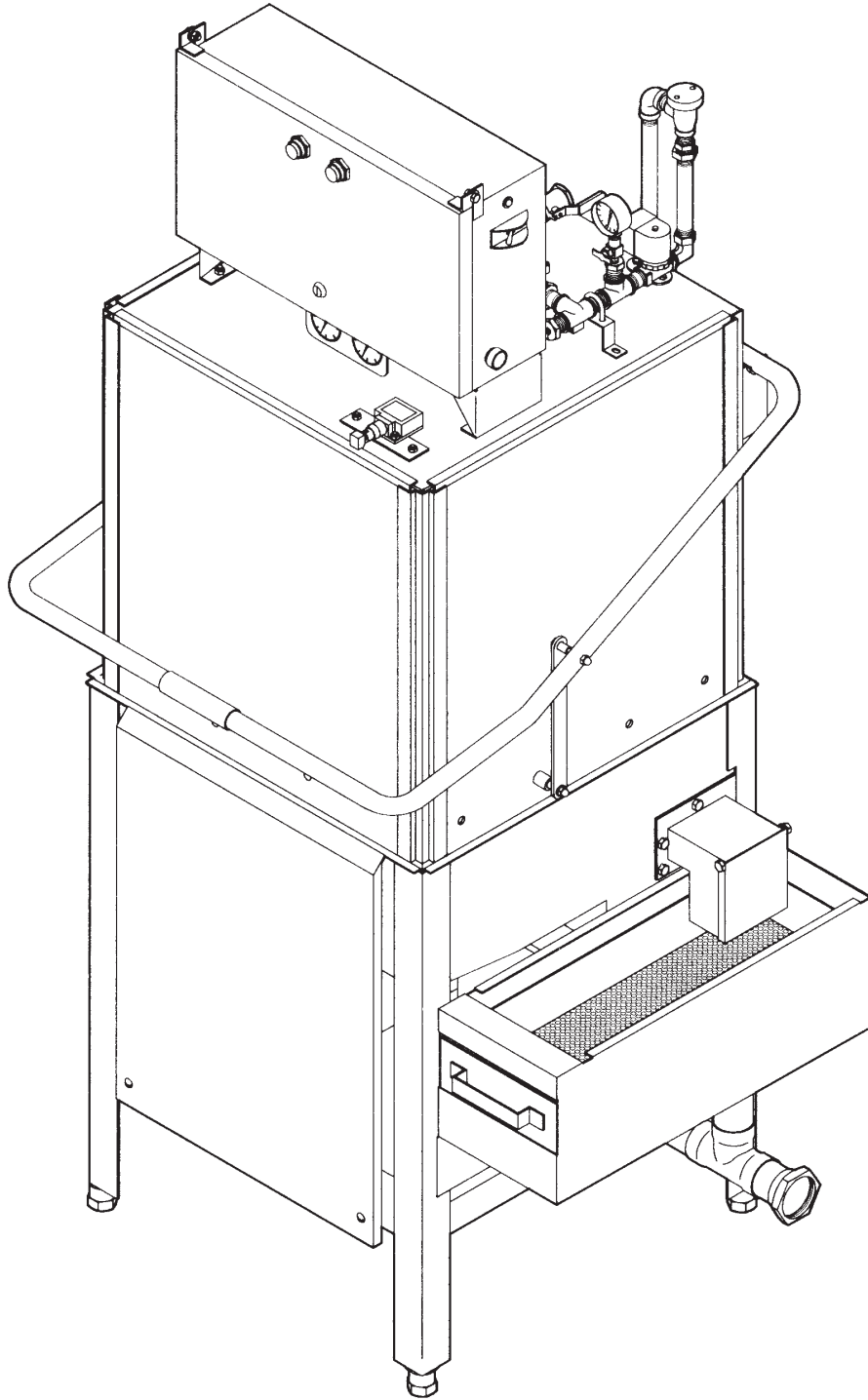
TANKLESS WATER HEATERS have shown to be problematic for commercial dishmachines. It has been the experience of ADS that tankless supply systems require multiple units plumbed in sequence with a recirculation loop to achieve proper pressure and temperature.

Check with the tankless water heater manufacturer, they may recommend a storage tank to guarantee proper flow and line pressure to the machine. **Failure to provide adequate water quantity, pressure and temperature to the machine will cause the machine to function improperly and is not the responsibility of ADS. Improperly installing ADS equipment or parts in this manner could void the warranty.** All costs associated with providing an adequate water supply to the machine is the sole responsibility of the user.

Drain replacement parts should not be reduced in size, all drain lines should remain the same size as it exits the dishmachine or larger. If you have questions, call 800-922-2178 or visit our website at www.AmericanDish.com

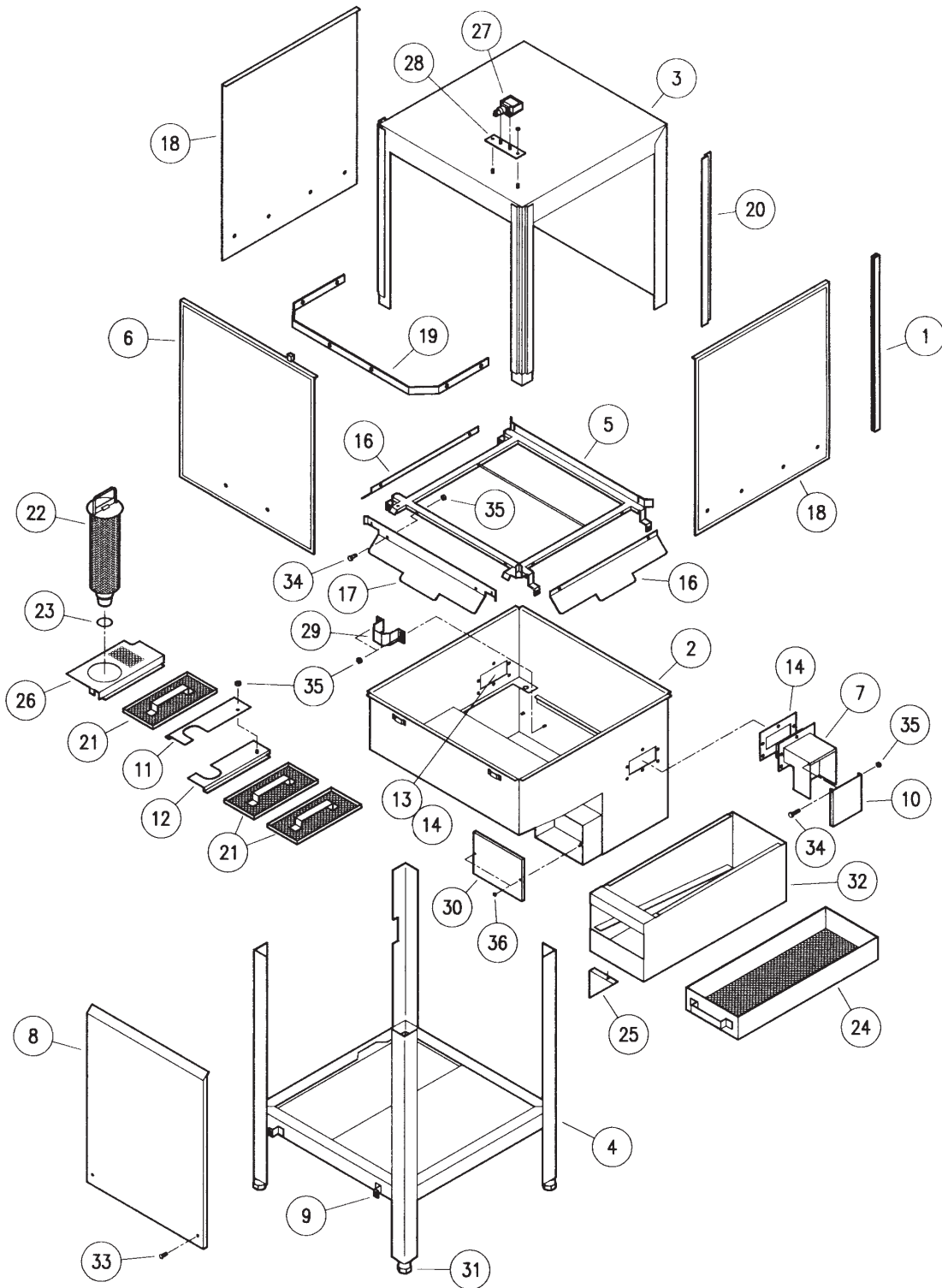
311-0080
HT-25 4 WIRE
High Temp Dishwasher

American Dish Service



361-0100
Cabinet Assembly
HT-25

American Dish Service



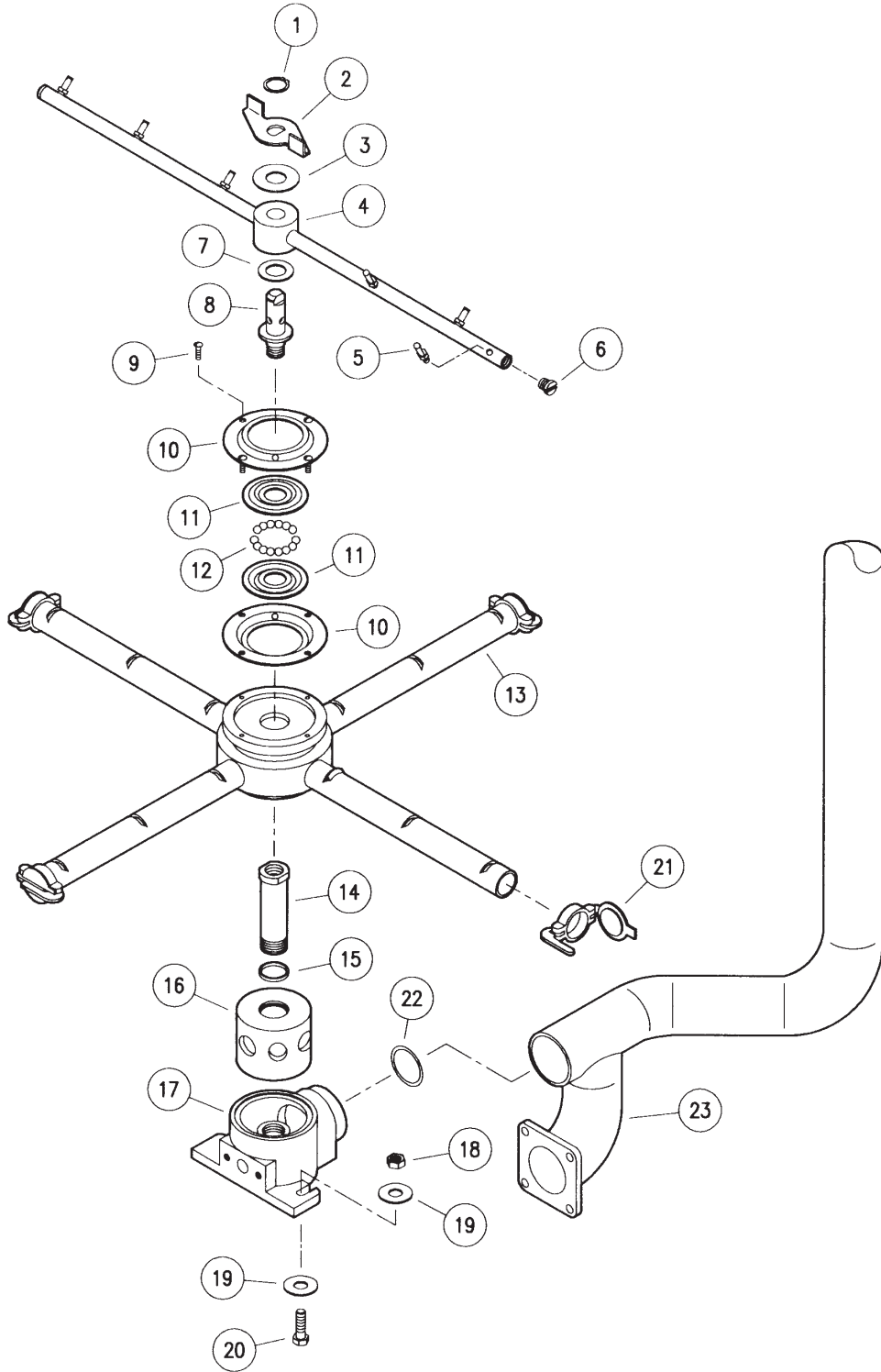
361-0100
Cabinet Assembly
HT-25

American Dish Service

Ref. No.	Part No.	No. Req.	Description
1	083-6108	6	Door Strip, Clear
2	385-6101	1	Tank Weldment
3	385-6102	1	Hood Weldment
4	385-6103	1	Frame Weldment
5	385-6104	1	Tray Track Weldment
6	385-6116	1	Door, Front, Weldment
7	385-6120	1	Scrap Trap Chute Weldment
8	385-6123	1	Panel Weldment, Lower
9	385-6127	2	Mount Weldment, Lower Panel
10	386-6014	1	Lid, Scrap Trap Chute
11	386-6016	1	Manifold Cover, LH
12	386-6017	1	Manifold Cover, RH
13	386-6028	1	Dummy Plate, Scrap Trap
14	289-6602	3	Gasket, Scrap Trap Spacer, Cork
14	289-6623	Opt.	Gasket, Scrap Trap Spacer, Teflon
16	387-6009	2	Tray Track Baffle
17	387-6010	1	Tray Track Conversion Bar
18	387-6012	2	Door, Side
19	387-6013	1	Door Brace
20	387-6018	2	Door Guide, SS, (Bolt-On)
21	285-6122	3	Screen Weldment, Wash, Small(10 3/4" x 5 1/4")
22	281-6211	1	Filter Weldment, Wash Pump, W/O Ring
23	289-6611	Rep.	Gasket, O-Ring, Wash Taper
24	289-9109	1	Tray, Scrap Trap, Complete
25	289-9114	2	Support, Scrap Trap
26	286-6197	1	Plate, Wash Pump Filter
27	099-4502	1	Switch, Cut-Off
28	285-6103	1	Bracket, Door Cut-Off
29	286-6199	1	Bracket, Float Retainer
30	286-6175	1	Heater Box Cover
31	099-1024	4	Bullet Feet
32	389-9103	1	Scrap Trap Weldment, With Out Tray
33	098-1414	20	Bolt, 1/4-20 x 1/2", Truss Head, SS
34	098-1423	30	Bolt, 1/4-20 x 1/2", HH, SS
35	098-2507	50	Locknut, 1/4-20, SS
36	098-2201	6	Locknut, 8-32, SS
N/S	384-6151	2	Spacer, Hood Upright
N/S	385-6126	Rep.	Tray Track Assembly, Complete

362-0300
Lower Spray System
Assembly
HT-25

American Dish Service



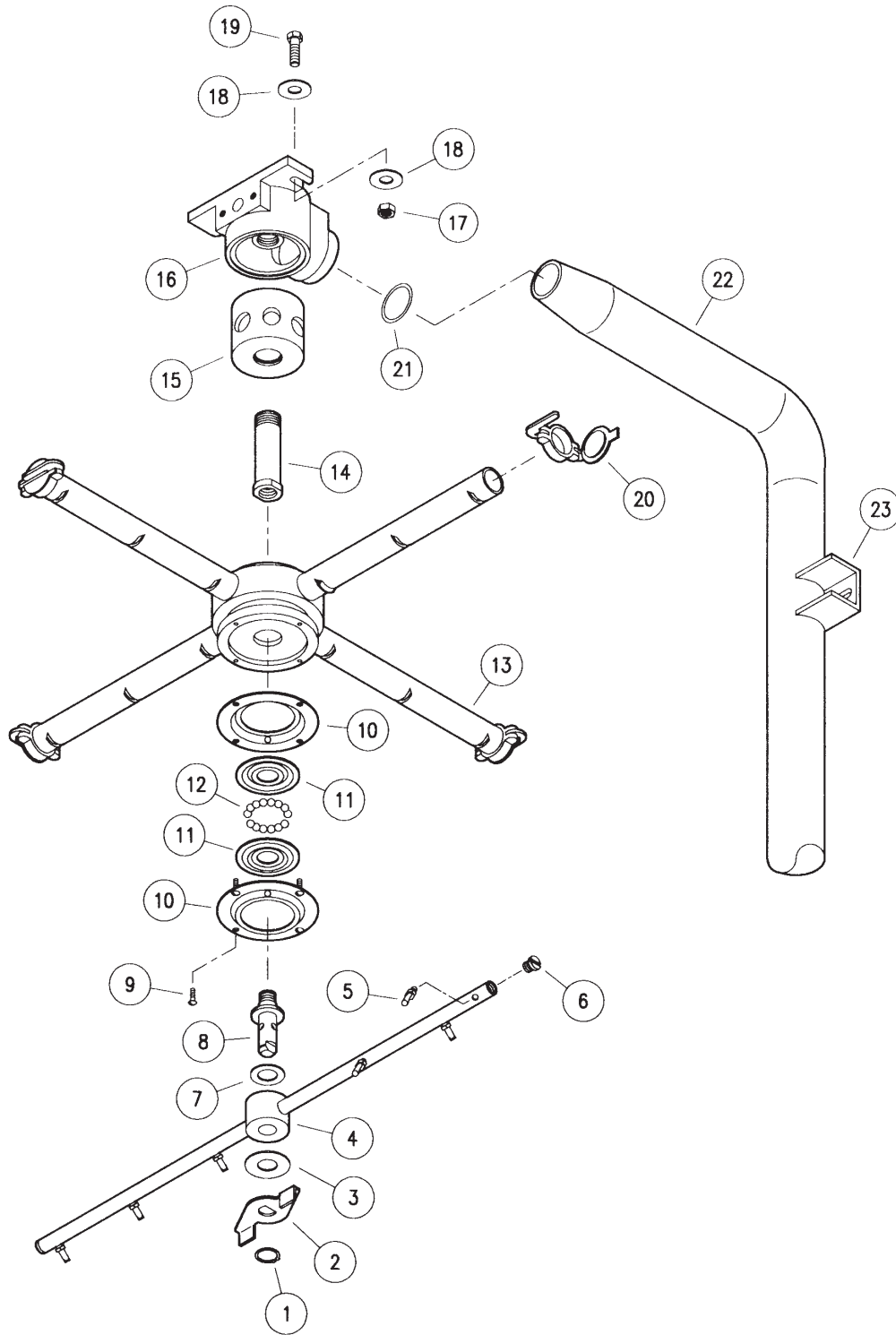
362-0300
 Lower Spray System
 Assembly
 HT-25

American Dish Service

Ref. No.	Part No.	No. Req.	Description
1	098-4008	1	Snap Ring
2	386-6023	1	Twist Grip, Final Rinse Arm
3	384-6116	1	Friction Washer, Large, Rinse Arm
4	385-6114	1	Spray Arm Weldment, Rinse
5	384-6121	6	Spray Jets, Final Rinse, SS
6	384-6120	2	Endcaps, Final Rinse Spray Arm
7	384-6117	1	Friction Washer, Small, Rinse Arm
8	384-6115	1	Pivot, Rinse Arm
9	098-1324	4	Screw, 10-32 x 3/8", TH, SS
10	386-6019	2	Bearing Shell, Wash Arm
11	386-6018	2	Bearing Race, Wash Arm
12	098-4007	17	Ball Bearings, 1/4" SS
13	385-6113	1	Spray Arm Weldment, Wash
14	384-6126	1	Transfer Tube
15	384-6129	1	Spacer Ring, Transfer Tube
16	382-6306	1	Spray Base Dome
17	382-6304	1	Spray Base
18	098-2507	2	Locknut, 1/4-20, SS
19	098-2416	4	Washer, 1/4", SS
20	098-1427	2	Bolt, 1/4-20 x 7/8", HH, SS
21	285-6158	-	Spray Arm Endcap Weldment (Welded To Wash Arm)
22	289-6608	1	Gasket, O-Ring
23	385-6105	1	Wash Manifold, Lower
N/S	381-6201	Rep.	Spray Arm Assembly, Wash, Complete
N/S	381-6202	Rep.	Spray Arm Assembly, Rinse, Complete
			Bolts for Lower Wash Manifold
N/S	098-1510	4	Bolt, 5/16-18 x 1 1/4" HH SS
N/S	098-2501	4	Locknut, 5/16-18, SS
N/S	098-2510	4	Washer, 5/16", SS, Neobond
N/S	098-2509	4	Washer, 5/16", SS

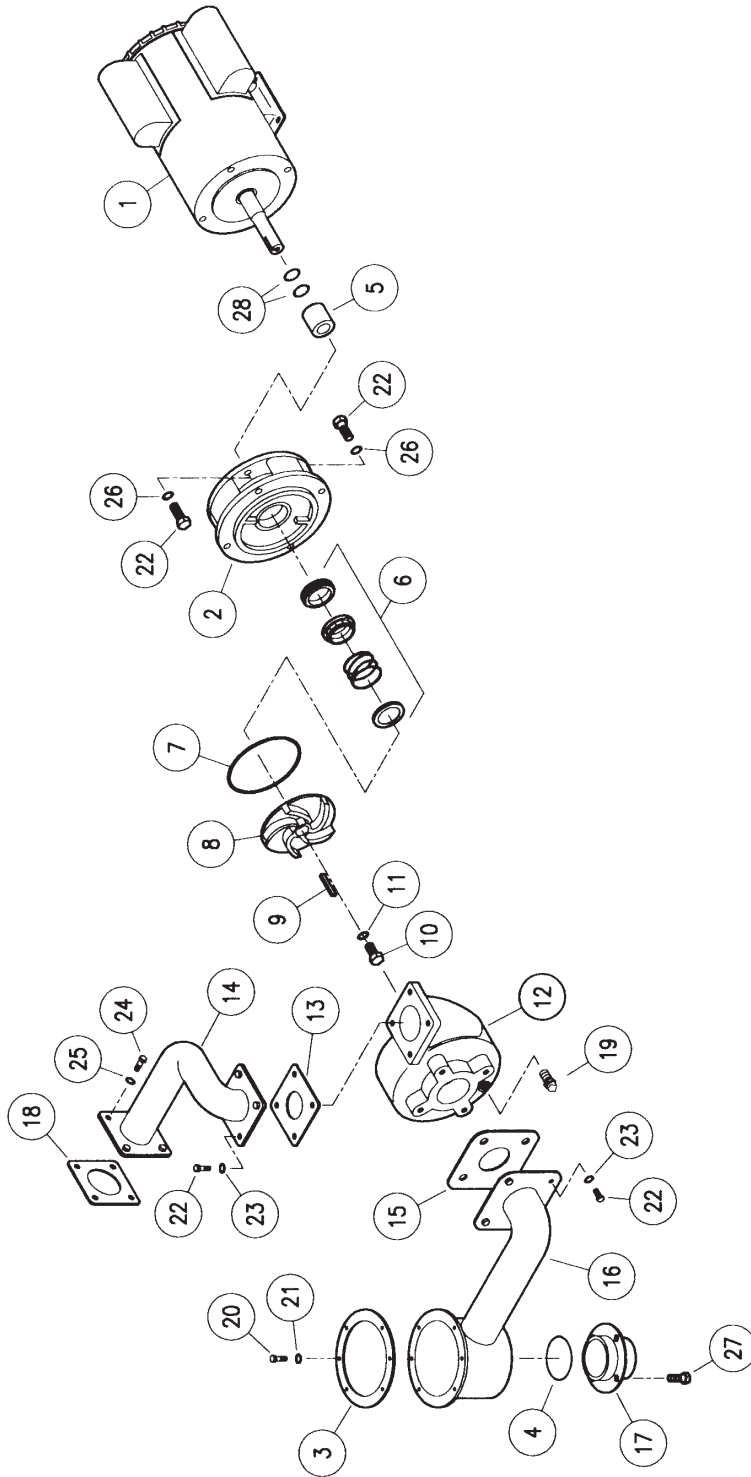
362-0400
Upper Spray System
Assembly
HT-25

American Dish Service



263-0100
Wash Pump Assembly
HT-25 4 Wire

American Dish Service



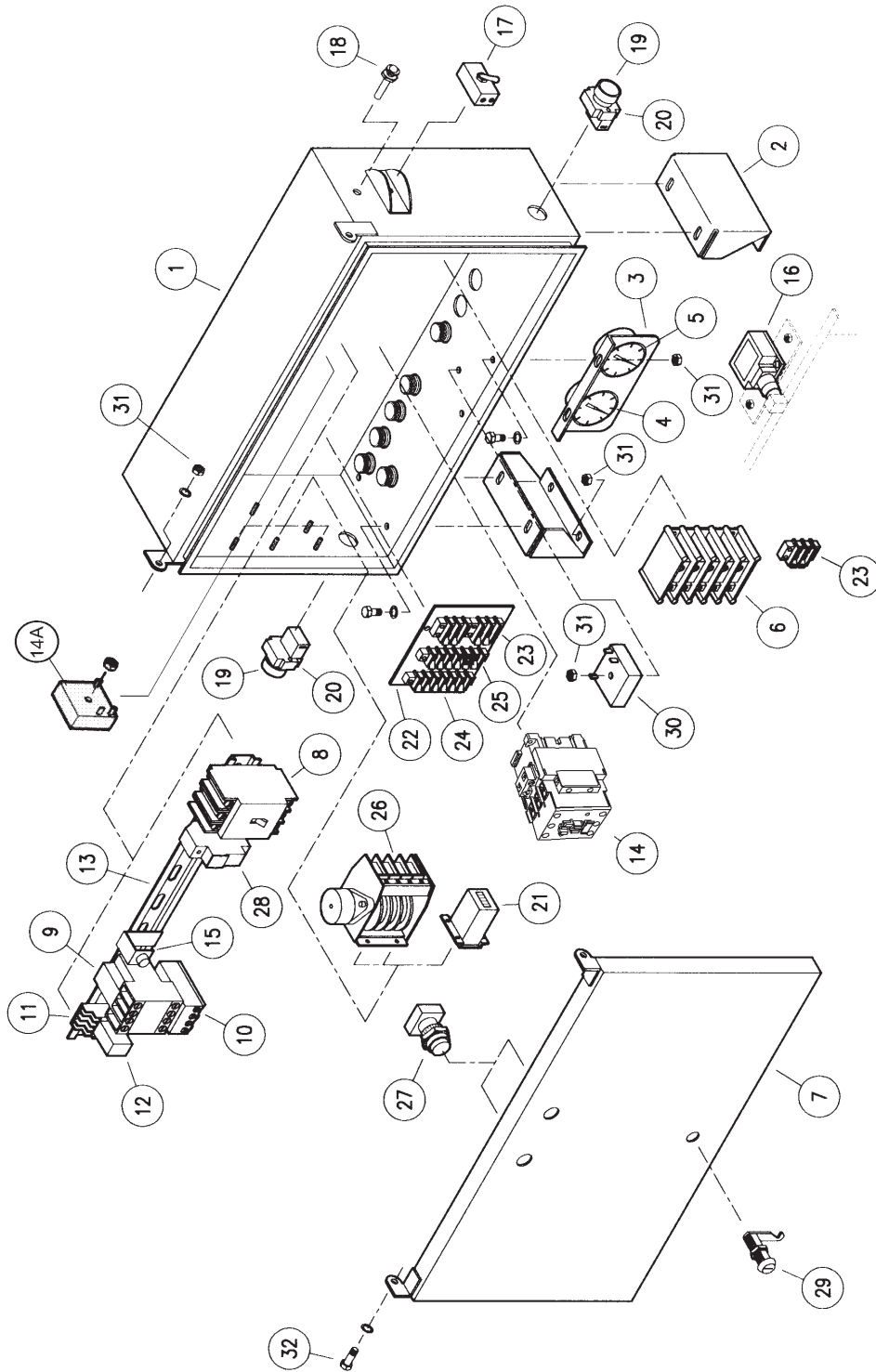
263-0100

Wash Pump Assembly
HT-25 4 Wire**American Dish Service**

Ref. No.	Part No.	No. Req.	Description
1	291-1002	1	Motor, 3HP, 3 Phase w/Shaft Sleeve
2	282-6301	1	Housing, Rear, Wash
3	089-6601	1	Gasket, Sump, Cork
3A	289-6621	Opt.	Gasket, Sump, Teflon
4	289-6606	1	Gasket, 'O' Ring Drain Socket Flange
5	284-6203	Rep.	Sleeve, Wash Pump Shaft
6	292-2001	1	Seal, Wash Pump
7	289-6603	1	Gasket, Wash Pump 'O' Ring
8	282-6303	1	Impeller, Wash Pump
9	284-6151	1	Key, Wash Pump Impeller
10	098-1613	1	Bolt, 3/8-16 x 1" Lg HH SS w/Lock Strip
11	098-2711	1	Washer, 3/8" ID x 1" OD x .103 Thick SS
12	282-6302	1	Cover, Wash Pump
13	289-6604	1	Gasket, Wash Pump Discharge Flange
14	285-6153	1	Discharge Tube Weldment, Wash Pump
15	289-6605	1	Gasket, Wash Pump Intake Flange
16	285-6154	1	Intake Tube / Sump Weldment, Wash Pump
17	285-6157	1	Drain Socket Weldment, Wash
18	289-6607	2	Gasket, Wash Tank Flange, Cork
18A	289-6622	Opt.	Gasket, Wash Tank Flange, Teflon
19	092-1158	1	Plug, 1/4" MPT, SS
20	098-1423	6	Bolt, 1/4-20 x 1/2" Lg HH SS
21	098-2416	6	Washer, 1/4" SS
22	098-1614	16	Bolt, 3/8-16 x 1" LG HH SS
23	098-2711	8	Washer, 3/8" IDX .103 Thick SS
24	098-1510	4	Bolt, 5/16-18 x 1 1/4" Lg HH SS
25	098-2509	8	Washer, 5/16 SS
26	098-2710	8	Washer, 3/8" Split SS
27	098-1502	4	Bolt, 5/16-18 x 1/2" HH SS
28	289-6618	Rep.	O-Ring, Wash Pump Shaft
N/S	288-1048	Rep.	Pump Assy. Less Cover, Wash 3 HP, 3 PH

364-0500
Control System
Assembly
HT-25 4 Wire
220 Volt Control System

American Dish Service



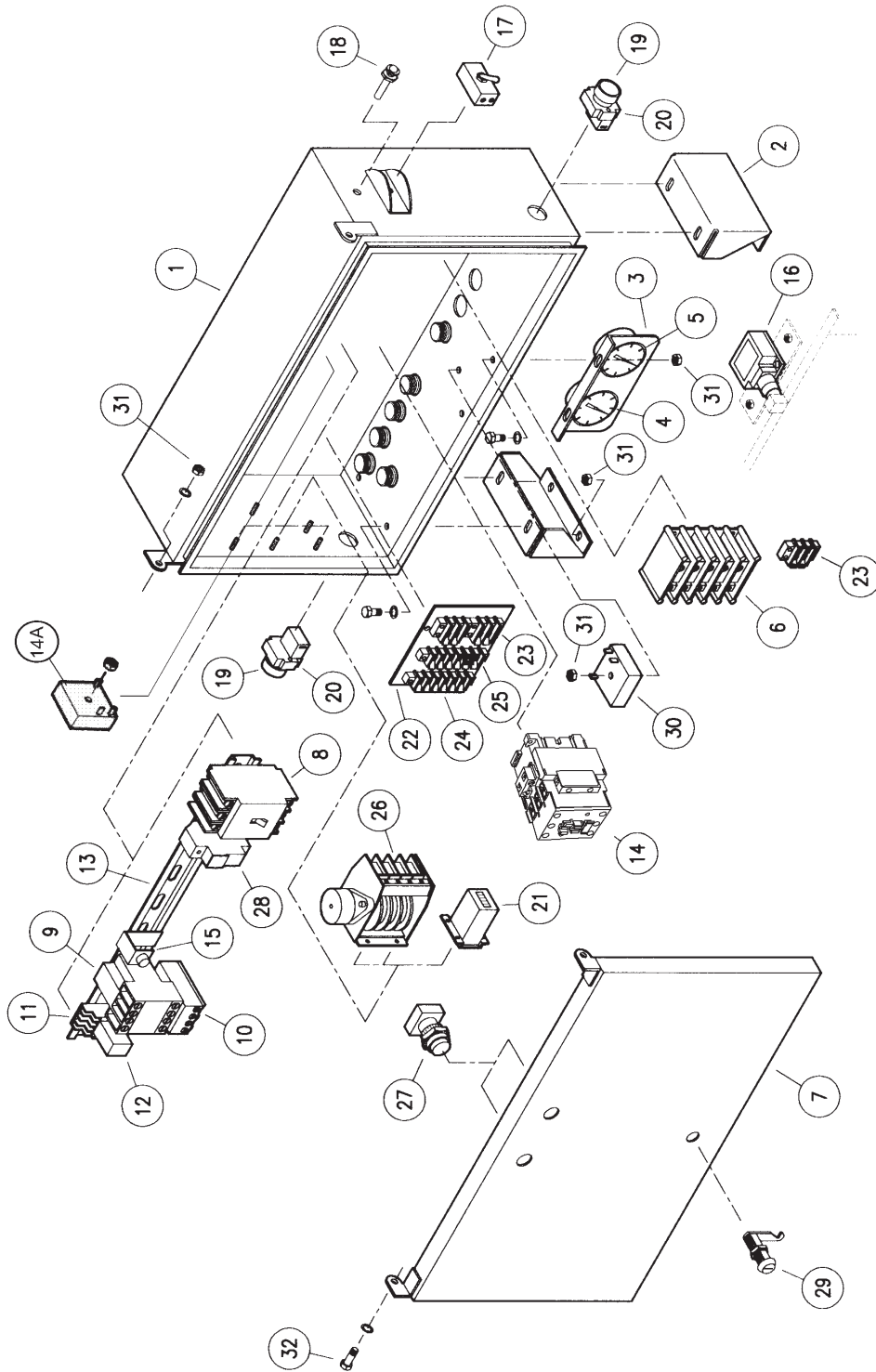
364-0500
Control System
Assembly
HT-25 4 Wire
220 Volt Control System

American Dish Service

Ref. No.	Part No.	No. Req.	Description
1	385-6157	1	Control Box Weldment (4 Wire)
2	386-6021	2	Control Box Mounts
3	386-6015	1	Bracket, Temperature Gauge
4	299-1005	1	Gauge, Temperature, Wash Tank
5	299-1004	1	Gauge, Temperature, Final Rinse
6	291-5101	1	Terminal Block (Main 4 Pole)
7	385-6110	1	Cover Weldment, Control Box
8	291-3010	1	Circuit Breaker, 50 Amp., 3 Pole
9	291-3033	1	Contactor, Wash, 220 Volt
10	291-3002	1	Overload, 3 HP, 3 Phase
11	291-3009	2	Socket, Relay
12	291-3029	2	Relay, 220 V, Double Pole
13	391-9103	1	Din Rail
14	291-3043	1	Contactor, Wash Heater, 220 Volt (4 Wire)
14A	291-3031	1	Relay, Heater Contactor Delay, 6 Terminal, 220 Volt
15	391-7104	1	Light, Heater, 220 Volt
16	099-4502	1	Switch, Door Cut-Off
17	091-3008	1	Switch, Master
N/S	291-9105	1	Boot, Master Switch Cover
18	391-7104	1	Light, Indicator, 220 Volt
19	091-3067	1	Switch, Push Button, Black
20	091-3065	1	Switch, Contactor
21	391-3013	1	Counter, Electric, 220 Volt
22	286-6107	1	Plate, Terminal Block
23	291-5104	3	Terminal Block, Chemical Dispenser, 2 Pole
24	091-5010	1	Terminal Block, 6 Pole(Red Wires)
25	291-5106	1	Terminal Block, 6 Pole(Black Wires)
26	391-3011	1	Timer 60 Sec., 220 Volt
27	391-7106	2	Indicator Light, Wash/Rinse, 220 Volt
28	391-9101	2	Fuse Holder
N/S	391-3012	Rep.	Motor, Timer, 60 Sec. 220 Volt (4 Wire)
N/S	391-9102	2	Fuse, 10 Amp.
29	096-1002	1	Control Box Lock

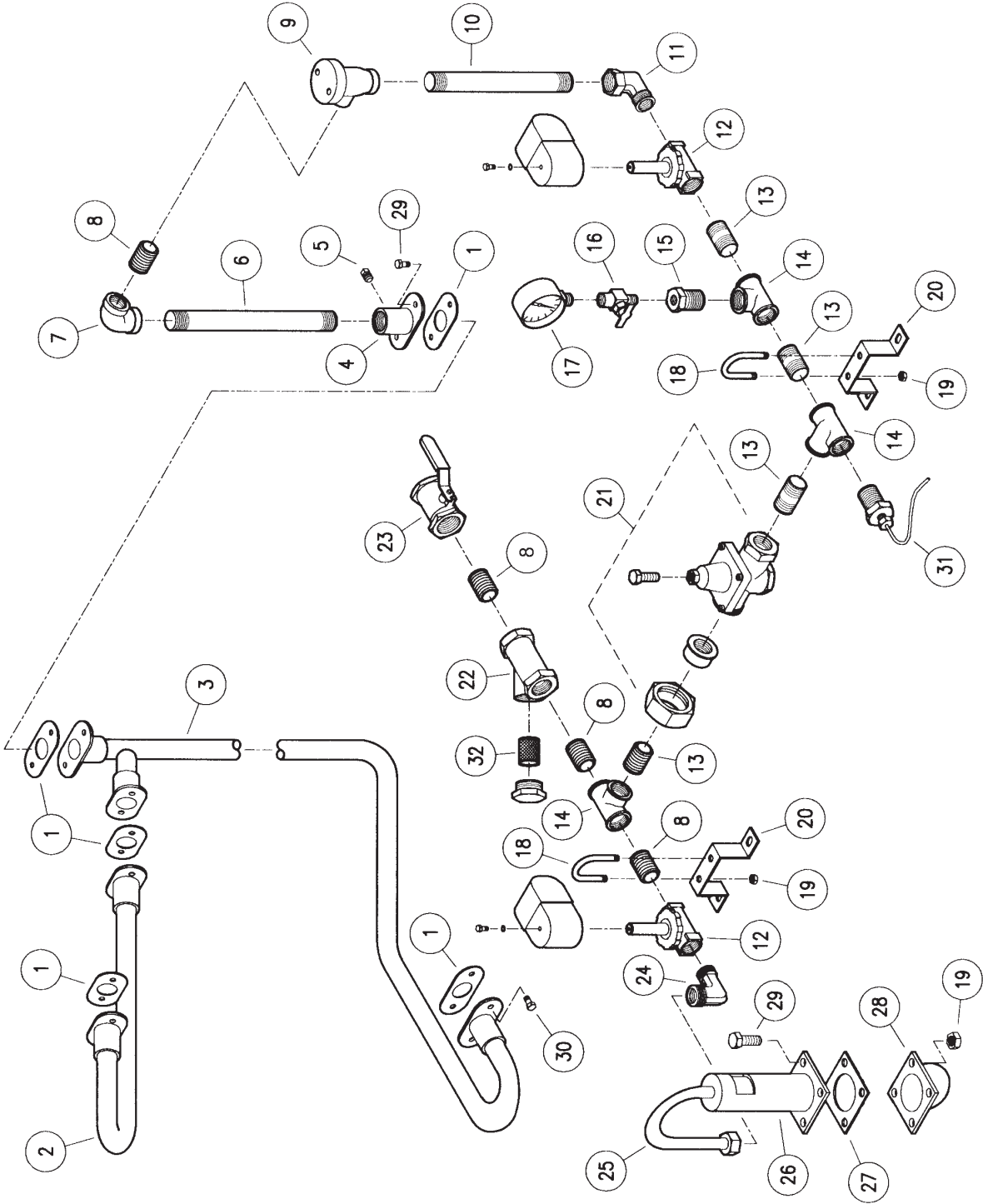
364-0500
Control System
Assembly
HT-25 4 Wire
220 Volt Control System

American Dish Service



365-0400
Inlet Plumbing
Assembly
HT-25 4 Wire

American Dish Service



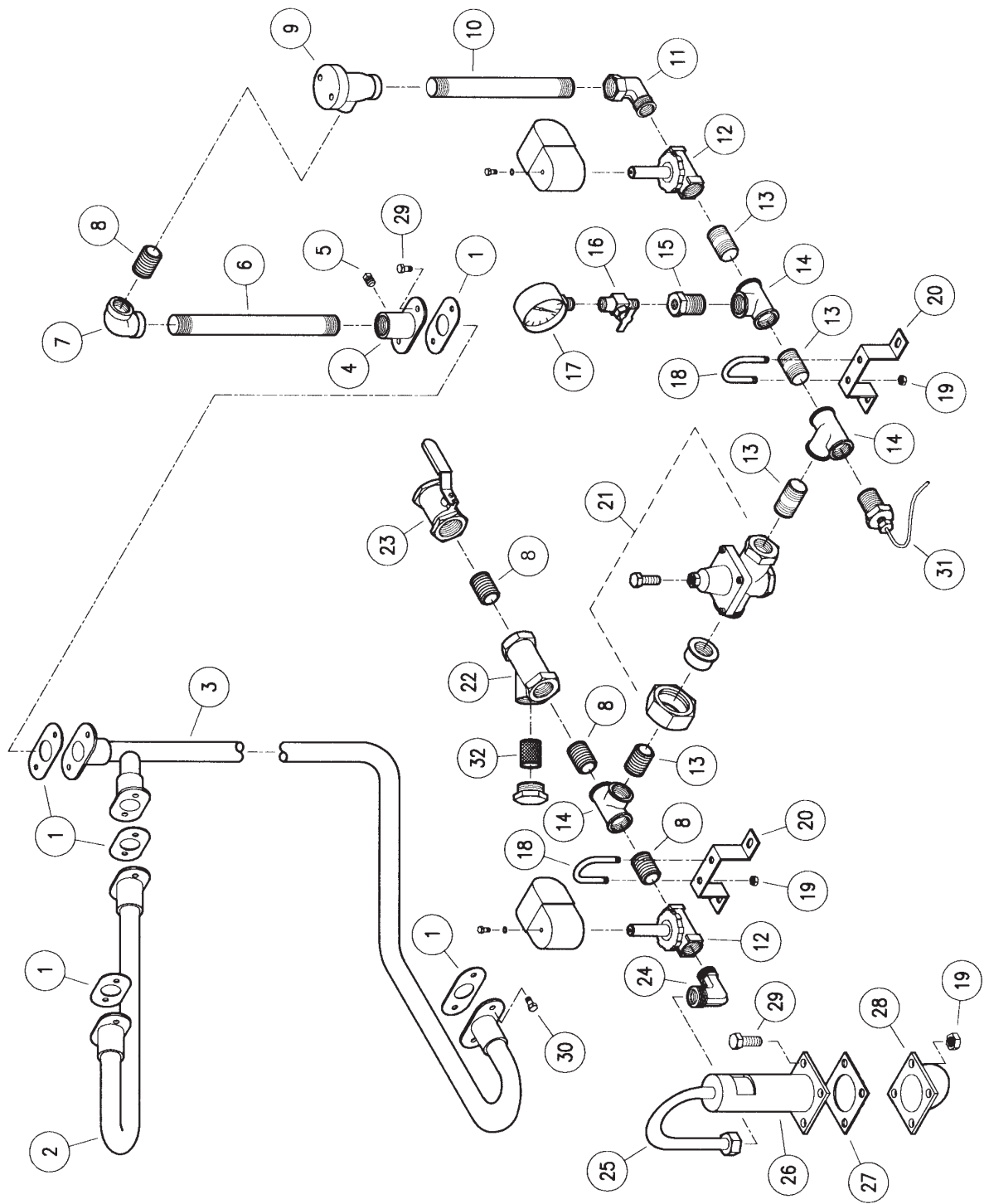
365-0400
 Inlet Plumbing
 Assembly
 HT-25 4 Wire

American Dish Service

Ref. No.	Part No.	No. Req.	Description
1	389-6601	5	Gasket, Final Rinse Flange
2	385-6108	1	Manifold, Rinse, Upper
3	385-6107	1	Manifold, Rinse, Lower
4	385-6128	1	Mixing Chamber (2 Chemical Ports)
5	092-1145	1	Plug, 1/8" NPT, SS
6	292-3008	1	Nipple, 1/2" x 6" Lg., SS
7	292-1003	1	Fitting, Elbow, 1/2" FPT, SS
8	292-3001	4	Nipple, 1/2" x 1 1/2" Lg., SS
9	092-5045	1	Vacuum Breaker, 1/2"
10	392-3001	1	Nipple, 1/2" x 4 1/2" Lg., SS
11	092-1006	1	Fitting, Elbow, 1/2" Street 90 Deg.
12	092-5068	2	Valve, Water Solenoid, 1/2", 4 Wire, 220 Volt
13	292-3003	4	Nipple, 1/2" Close, SS
14	292-1002	3	Fitting, Tee, 1/2" x 1/2" x 1/2", SS
15	292-1005	1	Reducer Bushing, 1/2" MPT x 1/4" FPT, Brass
16	292-5002	1	Service Cock
17	299-1003	1	Pressure Gauge
18	098-9027	2	U-Bolt, 1/4-20, SS
19	098-2507	18	Locknut, 1/4-20, SS
20	386-6012	2	Bracket, Plumbing
21	292-5001	1	Pressure Regulator, 1/2"
22	092-9001	1	Line Strainer, 1/2"
23	092-5054	1	Ball Valve, 1/2"
24	092-1062	1	Fitting, 1/2" MPT x 1/2" Comp., 90 Deg. Elbow
25	384-6123	1	Fresh Water Supply Tube
26	385-6121	1	Air Gap Weldment
27	389-6603	1	Gasket, Air Gap
28	385-6124	1	Air Gap Flanged Outlet Elbow Weldment
29	098-1426	8	Bolt, 1/4-20 x 3/4" Lg., HH, SS
30	098-1423	4	Bolt, 1/4-20 x 1/2" Lg., HH, SS
31	299-1004	1	Temperature Gauge, Final Rinse
32	092-9002	Repair	Screen, Line Strainer, 1/2"
N/S	092-5025	Repair	Valve, Less Coil, Water Solenoid, 1/2"
N/S	092-5047	Repair	Kit, Vacuum Breaker Repair, Watts, 1/2"
N/S	092-5049	Repair	Cap, Vacuum Breaker, 1/2"
N/S	099-1030	Repair	Cover, Gray Water Solenoid, Vinyl

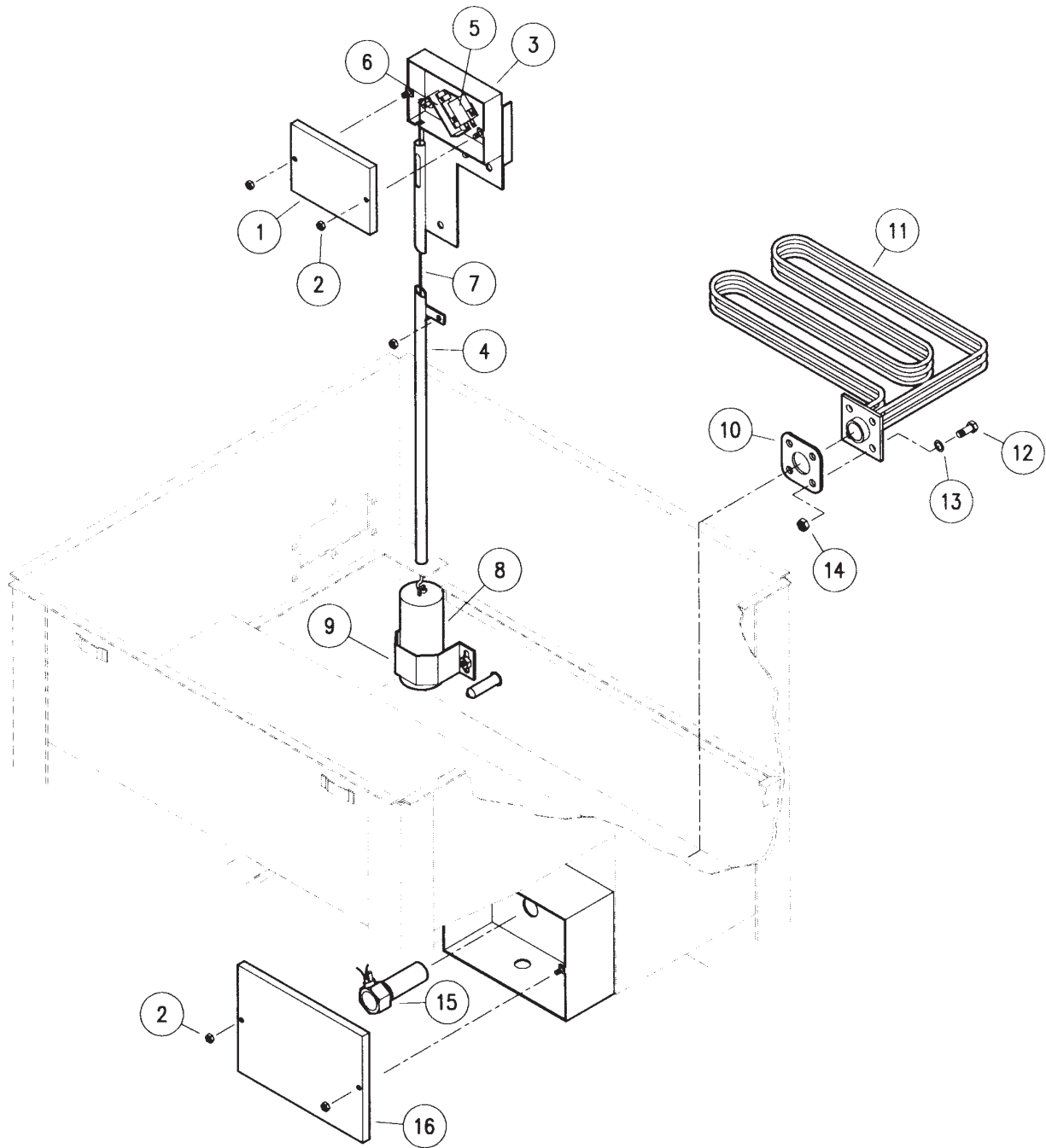
365-0400
Inlet Plumbing
Assembly
HT-25 4 Wire

American Dish Service



368-0100
Heater & Water Level
Control Assembly
HT-25 4 Wire

American Dish Service



368-0100

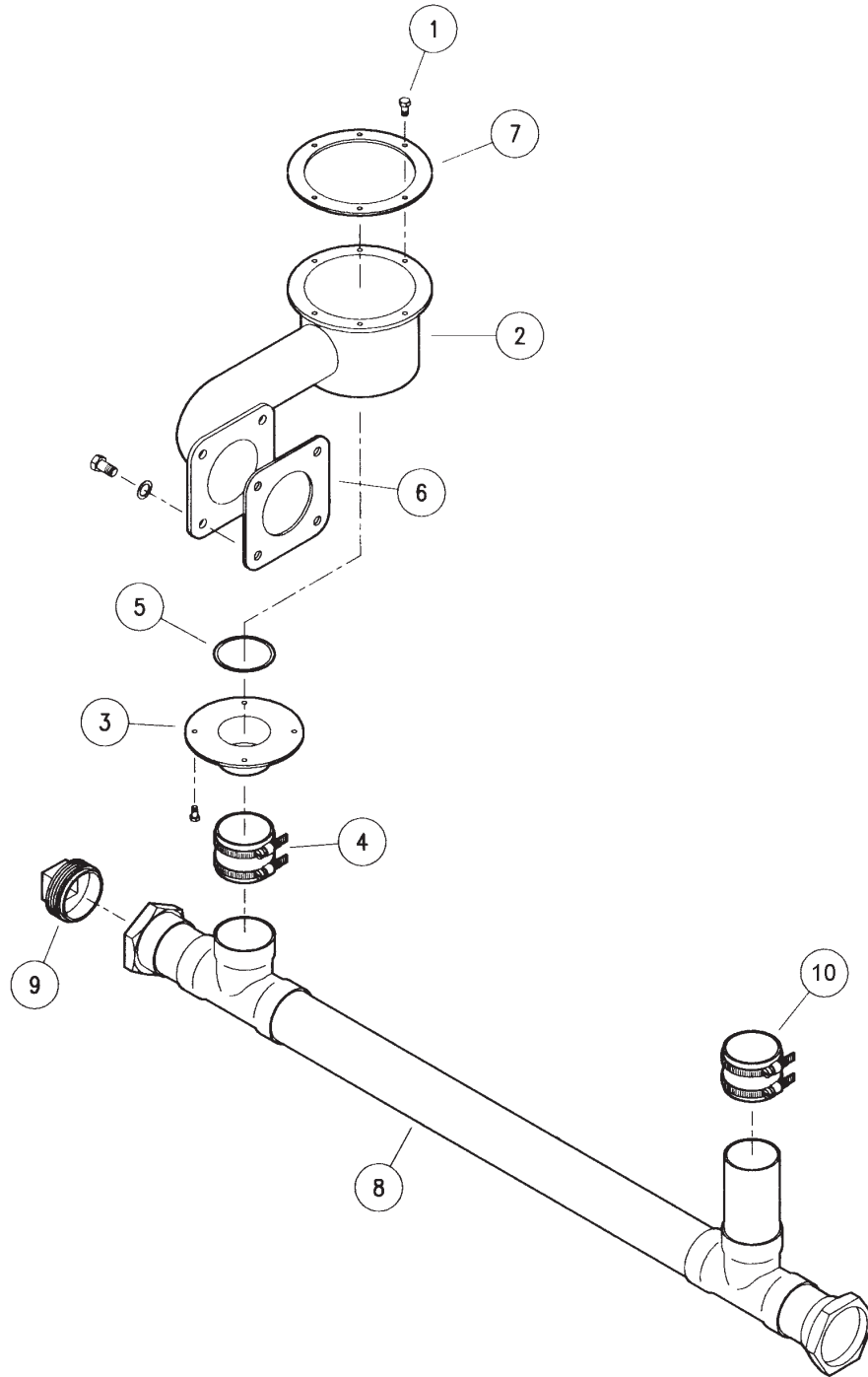
Heater & Water Level
Control Assembly
HT-25 4 Wire

American Dish Service

Ref. No.	Part No.	No. Req.	Description
1	286-6246	1	Cover, Float Box
2	098-2201	4	Locknut, 8-32, SS
3	385-6118	1	Float Box/Lever Arm Bracket Weldment
4	385-6122	1	Float Rod Tube Weldment, HT-25
5A	291-3014	1	Float Switch, W/Holder And Button
5B	291-3013	Repair	Float Switch, Switch Only
5C	291-9109	Repair	Float Switch Holder
5D	291-9110	Repair	Float Switch Holder Button
6	285-6179	1	Float Switch Flipper Weldment
7	386-6027	1	Float Rod, HT-25
8	285-6176	1	Float Weldment
9	286-6199	1	Bracket, Float Retainer
10	289-6613	1	Gasket, Heater
11A	391-9001	1	Heater, 8KW, 3 Phase
12	098-1516	4	Bolt, 5/16-18 x 1" Lg., HH, SS
13	098-2510	8	Washer, Neo-Bond, 5/16", SS
14	098-2501	4	Locknut, 5/16-18, SS
15	291-3012	1	Thermostat, 1/2"
16	286-6175	1	Cover, Heater Box
N/S	286-6231	1	Flange, Heater Sandwich (1 1/2" Hole)
N/S	091-5256	Rep.	Connector, Heater Barrel End, Copper
N/S	388-1010	Rep.	Harness, Heater Wires, 3 Phase
N/S	091-6160	1	Conduit, 3/4" x 7', Heater Wire
N/S	091-4140	2	Conduit Elbows, 3/4"
N/S	286-6241	1	Washer, Float Switch Rod

366-0100
Sump & Drain
Manifold Assembly
HT-25

American Dish Service



American Dish Service

*Manufacturer of low and high temperature
Commercial Dishwashers and Glasswashers*

900 Blake Street
Edwardsville, Kansas 66111
Phone: (913)-422-3700
Fax: (913)-422-6630