

EFFECTIVE: May 2018

American Dish Service

ADS GLASSWASHER

MODEL: ASQ II



PARTS MANUAL

900 Blake Street
Edwardsville, Kansas 66111
(913)422-3700

© 5/2018

American Dish Service

The **American Dish Service** part numbers contained in this publication are replacement parts for equipment listed with governmental and regulatory agencies and are specified to maintain the regulatory mark and certification. These parts must only be replaced by those who are trained in the operation and service of commercial dishmachines. Aftermarket parts or modified parts are not compliant or listed with the standards of governmental and regulatory agencies; aftermarket parts are not authorized by ADS for replacement repairs. ADS will not be responsible for any liability if parts are used in the repair of the machine that are not ADS-specified, by those installing non-certified replacement parts or attempts to change the machine's cycle or operation other than as designed and certified. **Read the warnings and cautions provided below before working on or replacing parts on any ADS equipment.**



DANGER

The installation of electrical parts contained in this publication require the following precautions:

The electrical power supplied to this machine is an imminent hazard to life that could result in severe bodily injury or death if not properly installed or connected correctly. When working in the control box or on electrical parts, always disconnect power and perform the appropriate lock-out/tag-out procedure before servicing. Replace the cover to the control box and other protective covers when finished with servicing this equipment before returning the machine to normal operation.

LOOSE ELECTRICAL CONNECTIONS: Damage to the equipment can occur if the following precautions are not observed. Before connecting power to the machine, check all electrical terminals in the control box. Screws can loosen in transit. Loose connections on high amp load terminals such as the pump motor and tank heaters will cause wire burning and component damage during operation and will not be covered under ADS warranty.

"CLEAN CIRCUIT" means the electrical circuit breaker for the dishmachine supplies no other outlets, machines, or lights. GFCI outlets are not recommended for commercial dishmachines; ADS recommends that a single-rack machine be installed with the wire connection (hard-wired) directly from the circuit breaker. All high temp and conveyor equipment must be hard wired. If a plug and socket are used to provide electrical power to a dishmachine in a commercial kitchen, then according to electrical code it must be a GFCI, but not all GFCIs are the same. They must be rated for the Amp draw for the designed circuit.

For Reference: The NEC Article 210.8 regarding GFCI Protection (B) Other Than Dwelling Units (2) Commercial and Institutional Kitchens. All 15 and 20A, 125V receptacles installed in kitchens, even those that do not supply the countertop surface, must be GFCI protected.



WARNING

The chemical feeders and controls contained in this publication require the following precautions:

READ Manufacturer's Manual before Using this Product. For your safety read and observe all warnings in these instructions. While performing installation of parts described in this booklet, wear approved Personal Protective Equipment, including chemically resistant gloves and Safety Eye-Wear.

CHEMICALS: There are potentially hazardous situations when working with industrial cleaning chemicals for dishmachines. See chemical manufacturer's safe practices and SDS or MSDS sheets for handling and installing chemicals and supply containers.

Chemicals can damage or corrode plumbing and stainless parts of the dishmachine. Do not run chemical lines over controls or plumbing. Always secure chemical lines and check regularly for leaks. **If not properly handled, chemicals can cause serious bodily injury. In the event of chemical contact to skin or eyes; wash immediately with fresh water and seek medical attention.**

DE-LIMING THE MACHINE: Because of potential hazards resulting from the combination of chlorine with acid solution, only authorized trained individuals must be allowed to de-lime a commercial dishmachine.

CONTAINERS: The ADS chemical delivery system is designed for 5 gallon pails of industrial low-energy chemical products.

CONTAINERS: The ADS chemical delivery system is designed for 5 gallon pails of industrial low-energy chemical products. Always use chemical resistant safety gloves and safety goggles (indirect-vented or non-vented) when changing chemical buckets. Immediately report spills and refer to your chemical suppliers SDS safety data sheet or MSDS material safety data sheet for information if chemical comes in contact with skin or eyes.

Any modifications to the chemical delivery system for smaller containers must include Closed Loop Chemical Containers (spill proof bottles) in a secured racking system. It is the responsibility of the user of the machine to purchase chemicals in spill proof containers. **FAILURE CAN RESULT IN SERIOUS INJURY.** Never place chemicals in open containers or containers that can be easily tipped over when moving or changing product. Failure to do so will void your ADS warranty.

Chemical supplies must be kept in closed delivery containers to avoid spills or contamination. Do not place chemical solutions in open containers or containers that can be easily tipped over in moving or changing.

Do not open the doors while the machine is in operation. Doing so could result in serious bodily injury from spraying hot water and chemicals.



CAUTION

The door lever arm parts in this publication are installed under spring tension and caution is needed whenever parts are changed. Wear safety glasses when working on the doors and lever. Care should be taken when moving, installing, or replacing any door lever arm parts. Use the ADS lever arm tool to unload the door spring during replacement or adjustment. The spring tension suddenly released can result in pinch or blunt trauma, and puncture wounds. If a wound occurs from the release of spring tension, wash the wound area immediately because of the soils that can accumulate on the metal parts and seek medical attention.

NOTICE

BEFORE YOU BEGIN: American Dish Service provides this information as a service to our customers. **Keep all instructions for future reference.** ADS reserves the right to alter or update this information at any time. Should you desire to make sure that you have the most up-to-date information, we would direct you to the appropriate document on our web site: www.americandish.com. **It is your obligation as the customer to ensure that the replacement parts for the machine are installed safely and properly, and when completed, the machine is left in proper and safe working order.** Electrical, Plumbing, and Chemical hookup must be performed by a qualified professional who will ensure that the equipment is installed in accordance with all applicable Codes, Ordinances, and Safety requirements. Failure to follow the installation instructions will void the warranty. **ADS assumes no liability or control over the installation of the equipment or replacement parts. Product failure due to improper installation is not covered under the ADS Warranty.**

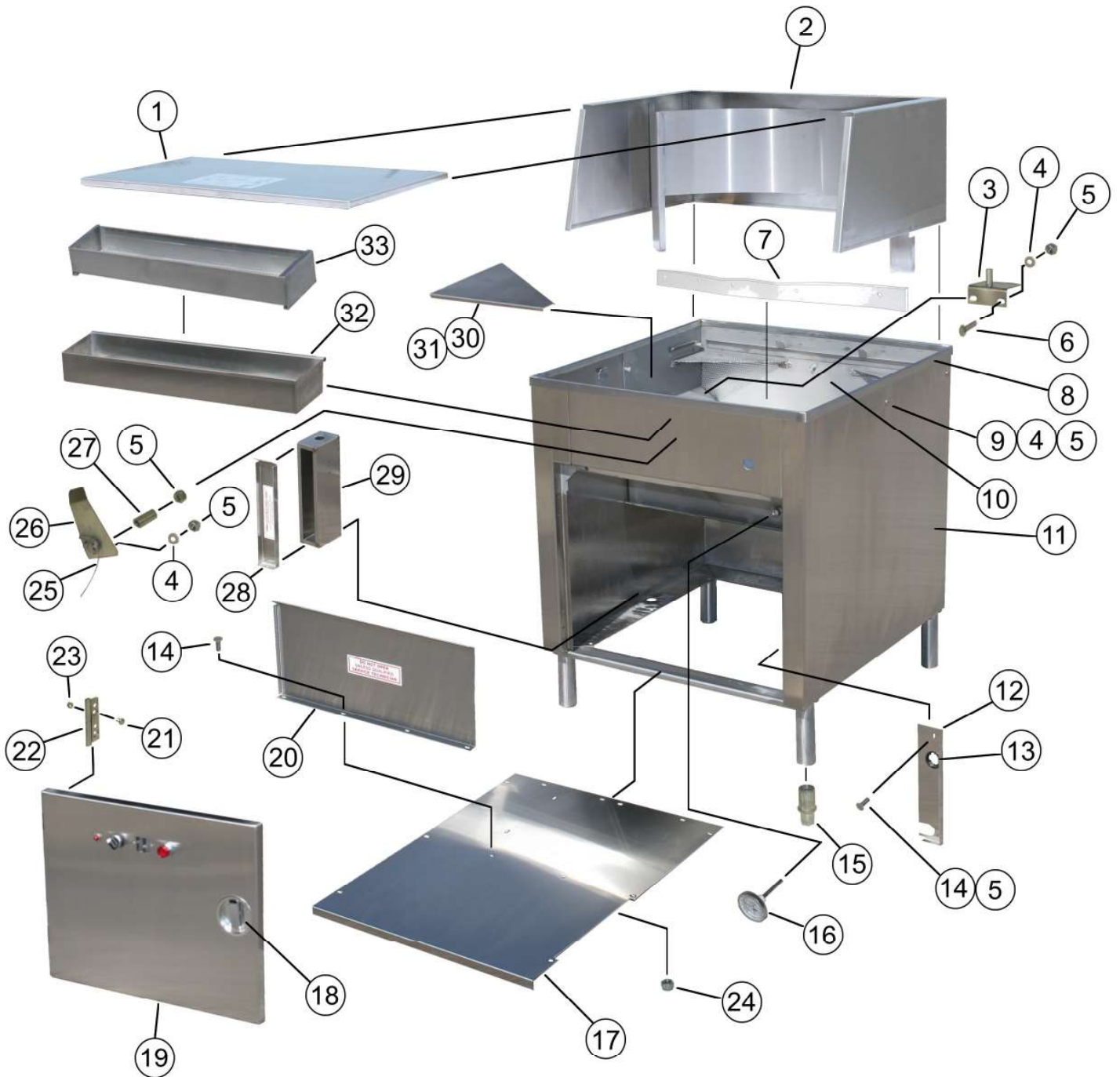
Plumbing parts:

When working on the water inlet manifold, first relieve the water line pressure by turning off the water supply to the machine then energize the machine's fill valve. By doing this the manifold will empty of water. Turn off the electrical power and lock out/tag out the machine. It will then be safe to open the plumbing inlet manifold.

TANKLESS WATER HEATERS have shown to be problematic for commercial dishmachines. It has been the experience of ADS that tankless supply systems require multiple units plumbed in sequence with a recirculation loop to achieve proper pressure and temperature.

Check with the tankless water heater manufacturer, they may recommend a storage tank to guarantee proper flow and line pressure to the machine. Failure to provide adequate water quantity, pressure and temperature to the machine will cause the machine to function improperly and is not the responsibility of ADS. Improperly installing ADS equipment or parts in this manner could void the warranty. All costs associated with providing an adequate water supply to the machine is the sole responsibility of the user.

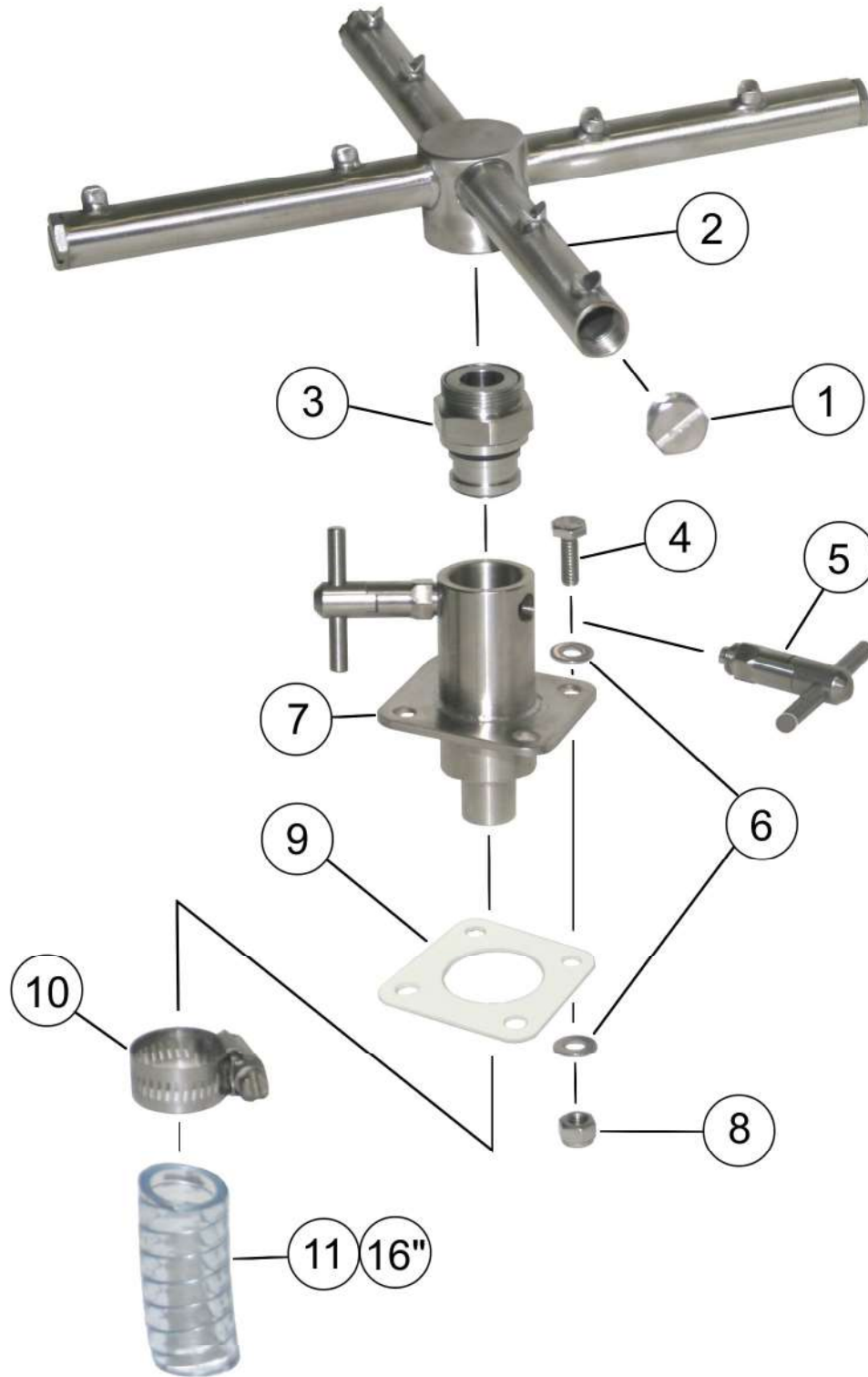
Drain replacement parts should not be reduced in size, all drain lines should remain the same size as it exits the dishmachine or larger. If you have questions, call 800-922-2178 or visit our website at www.AmericanDish.com

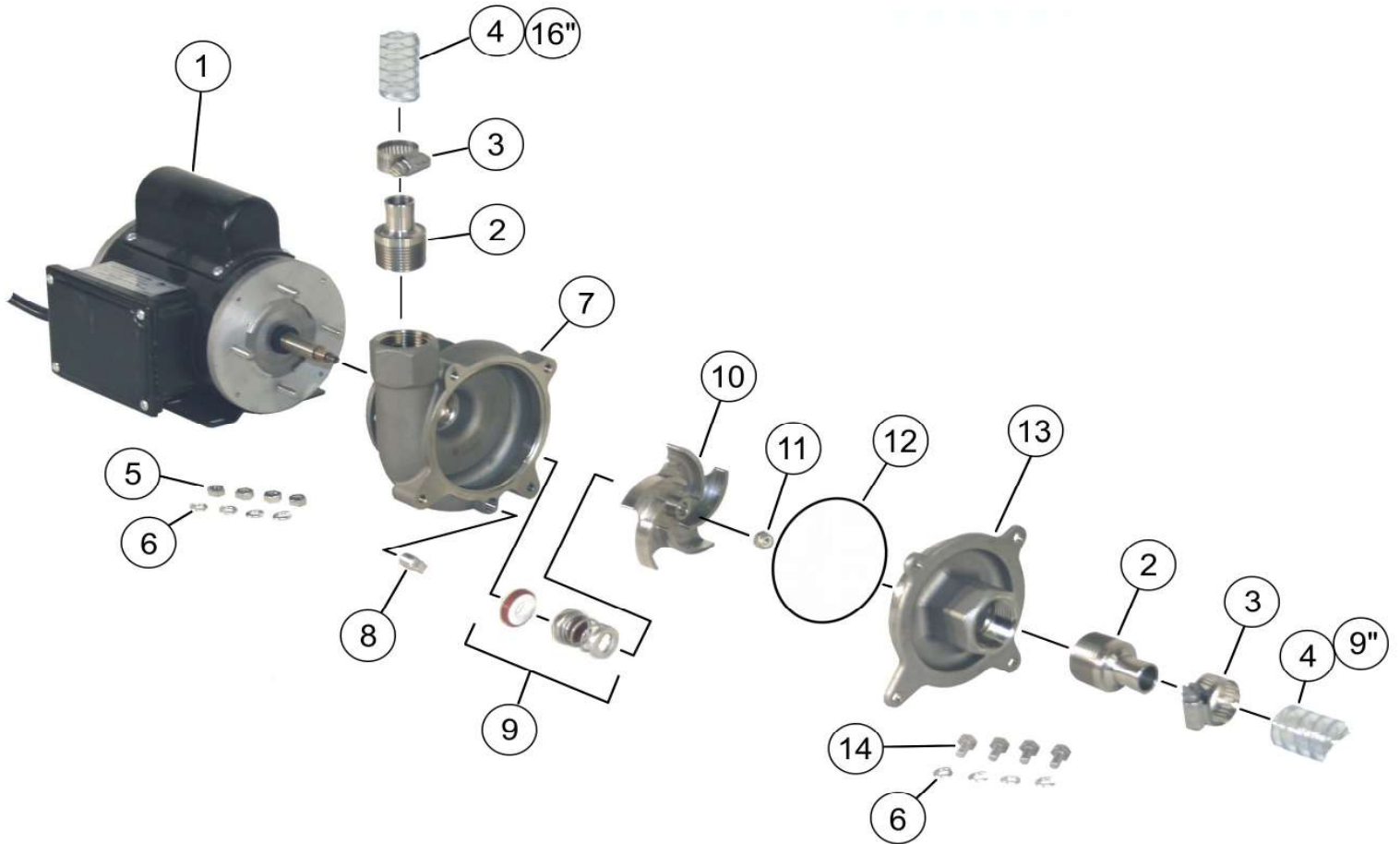


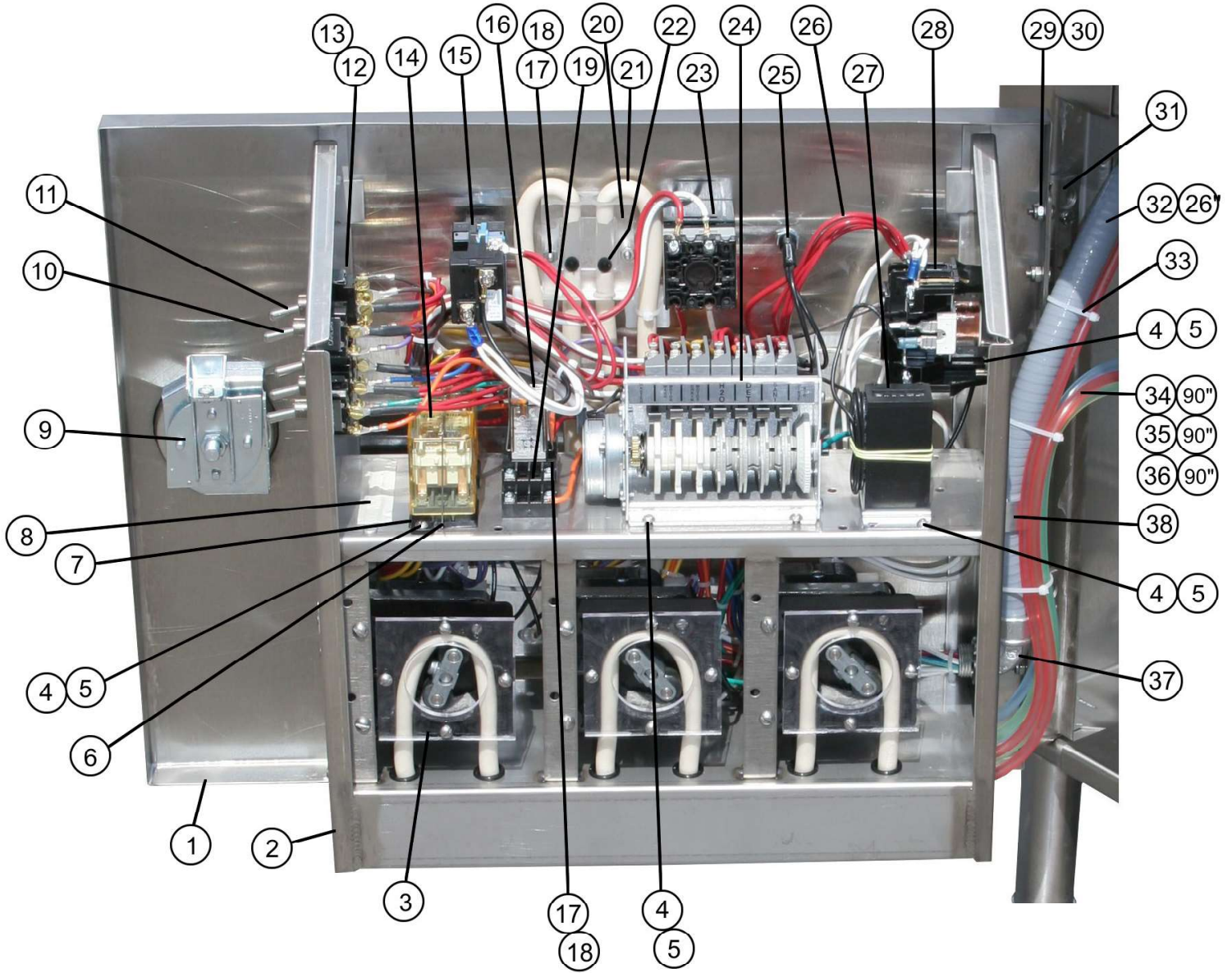
**061-2700 Cabinet Assembly
ASQ II**

American Dish Service

Ref. No.	Part No.	No. Req.	Description
1	081-6102	1	Hood Top
2	081-6113	1	Hood Wrapper
3	085-6122	1	Pivot, Carousel
4	098-2416	12	Washer, ¼" Flat SS
5	098-2507	14	Nut, Lock, ¼-20 With Nylon Insert
6	098-1426	2	Bolt, ¼-20 x ¾" HH SS
7	089-6315	1	Gasket, Sump To Drain Pan, Teflon
8	085-6169	1	Trim Strip, Stainless Steel Trim
9	098-1414	5	Screw, ¼-20 x ½" Truss Head SS
10	085-6233	1	Sump Weldment, Bolt in
11	085-6240	1	Cabinet, Weldment
12	086-6839	1	Divider Gusset
13	091-4007	1	Grommet, 7/8" ID
14	098-1423	23	Bolt, ¼-20 x ½" HH SS
15	099-1003	4	Bullet Foot, Metal 1 ¼"
16	099-1001	1	Gauge, Temperature
17	087-6135	1	Floor
18	096-1003	1	Latch, Door
19	081-6112	1	Door
20	087-6194	1	Panel, Motor Compartment
21	098-1314	8	Screw, 10-32 x ½" Pan Head Slotted SS
22	081-6109	2	Hinge, Door
23	098-2301	8	Nut, Lock, 10-32 SS
24	098-2401	16	Nut, ¼-20 Hex SS
25	098-3009	1	Spring, Detent
26	081-6111	1	Detent Lever
27	084-6110	1	Roller, Detent
28	086-6842	1	Cover, Field Wiring Box
29	085-6822	1	Box, Field Wiring
30	081-6105	1	Splash Shield, LH
31	081-6106	1	Splash Shield, RH
32	085-6820	1	Sink, Dump
33	085-6821	1	Tray, Dump Sink
NS	089-6205	1	Gasket, ASQ Plumbing
NS	098-2912	1	Washer, 7/8" SS
NS	292-1006	1	Nut, ½" FPT
NS	288-1065	OPT.	Plug Assembly, (Used To Cover Dump Sink Hole)







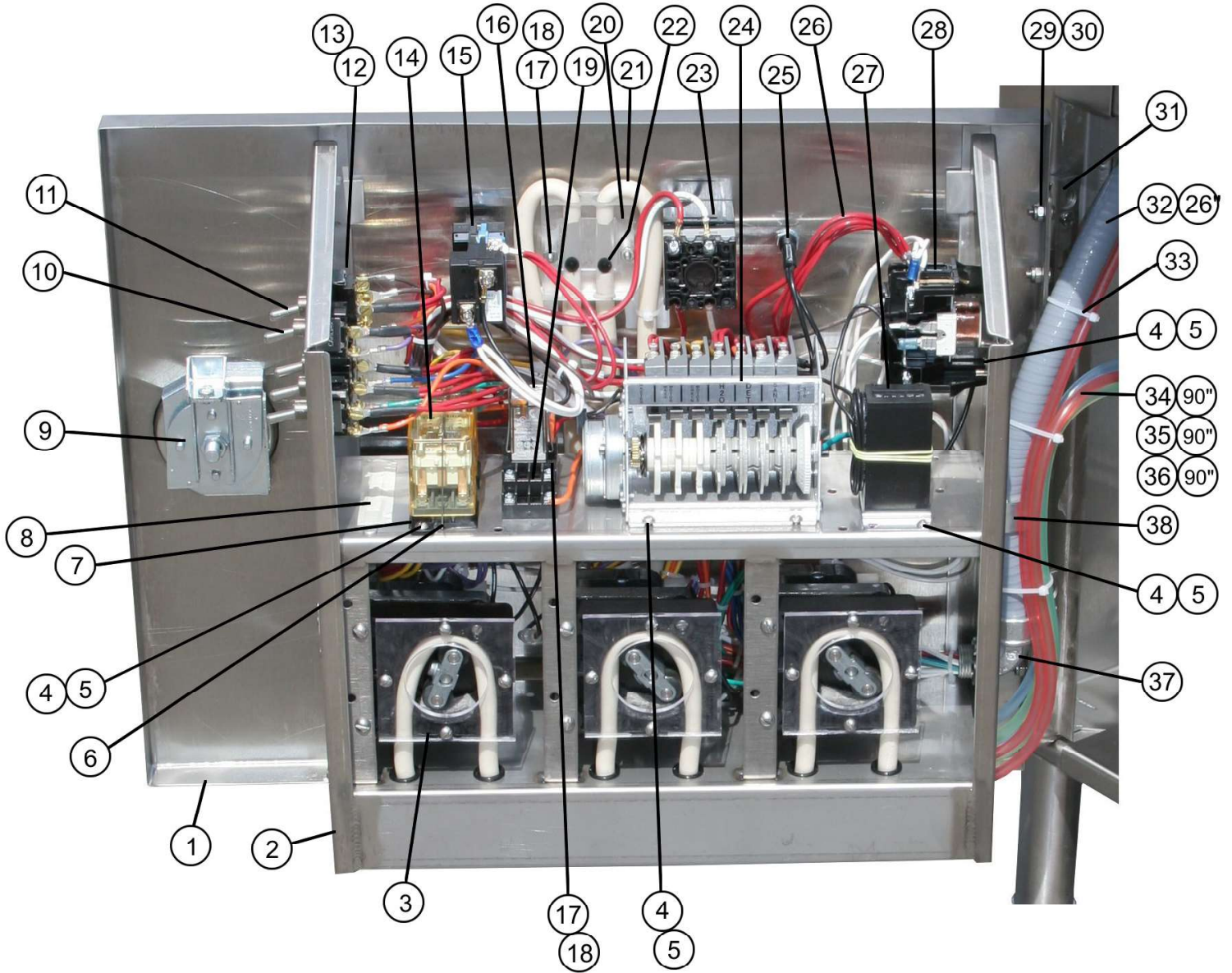
064-3400

Control System Assembly

ASQ II

American Dish Service

Ref. No.	Part No.	No. Req.	Description
1	081-6112	1	Door
2	081-6410	1	Control Box
3	064-0033	3	Chemical Pump, Complete
4	098-1204	12	Screw, 8-32 x 1/2" RH Slotted SS
5	098-2202	12	nut, 8-32 Hex
6	091-3088	2	Relay Retaining Wire
7	091-3011	2	Socket, Relay
8	099-1004	1	Key, Timer Adjustment
9	096-1003	1	Latch, Door
10	091-3009	4	Switch, Toggle
11	091-3024	1	Switch, Toggle Drain
12	098-1423	5	Bolt, 1/4-20 x 1/2" HH SS
13	098-2507	5	Nut, Lock, 1/4-20 With Nylon Insert
14	091-3030	2	Relay, Cube, DPDT
15	091-3041	1	Switch Assembly, Start
16	291-3005	1	Relay, Cube, DPDT
17	098-1106	4	Screw, 6-32 x 1 1/8" Pan Head SS
18	098-2101	4	Nut, 6-32 Hex SS
19	291-3009	1	Socket, Relay
20	084-6403	1	Housing, Flow Indicator
21	092-2000	1	Tube, Squeeze, Norprene (Sold By The Foot)
22	099-1008	2	Ball, Flow Indicator
23	091-3077	1	Switch Assembly, Power
24	091-3093	1	Timer, (7 Cam), 72 Second
25	291-7101	1	Light, Indicator
26	091-5038	1	Harness, Wiring
27	091-3049	1	Counter, Electric, 110 Volt
28	091-3083	1	Contactor
29	098-1314	8	Screw, 10-32 x 1/2" Pan Head Slotted SS
30	098-2301	8	Nut, Lock, 10-32 SS
31	081-6109	2	Hinge, Door
32	091-5156	26"	Conduit, 1/2" (Sold By The Foot)
33	091-5236	15	Cable Tie



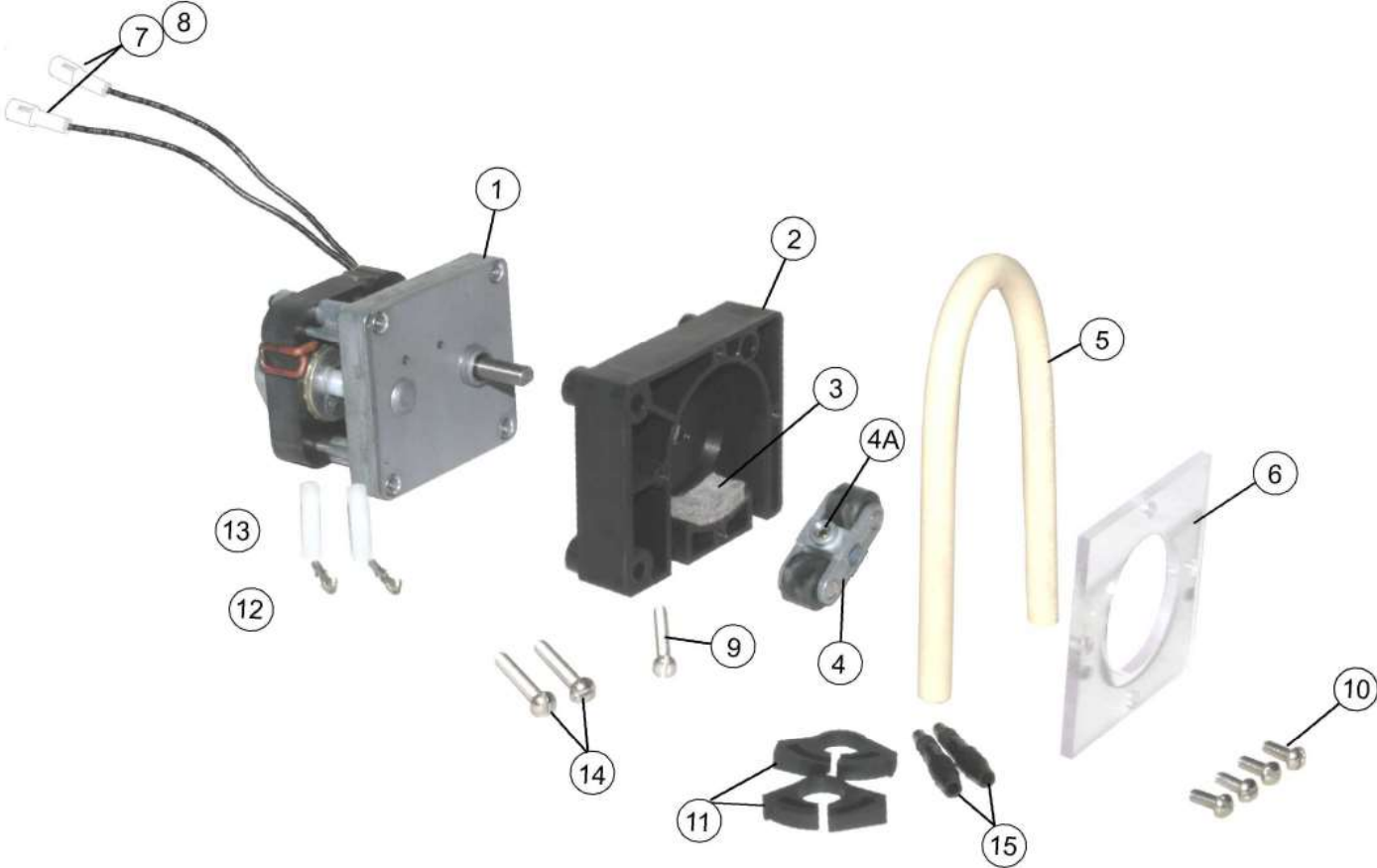
064-3400

Control System Assembly

ASQ II

American Dish Service

Ref. No.	Part No.	No. Req.	Description
34	093-1061	90"	Tubing, Chemical Line, ¼" Blue, (Polymer-By The Foot)
35	093-1062	90"	Tubing, Chemical Line, ¼" Green, (Polymer-By The Foot)
36	093-1063	90"	Tubing, Chemical Line, ¼" Red, (Polymer-By The Foot)
37	091-4142	1	Conduit Fitting, ½" 90° Elbow
38	091-4146	1	Clamp, Conduit ½"
NS	091-4141	1	Conduit Fitting, ½" Straight
NS	091-5235	2	Cable Tie Mount, Adhesive Back
NS	098-1606	10	Clamp, Tube
NS	091-4019	2	Grommet, Switch Hole
NS	091-4001	6	Grommet, ¼"
NS	091-4010	4	Grommet, 3/8" ID
NS	098-1211	4	Screw, 4-40 x ¼" RH SS
NS	098-2001	4	Nut, Lock, 4-40
NS	087-6415	1	Cover, Control Box
NS	096-1002	1	Lock, Control Box
NS	089-9479	1	Decal Set
NS	091-3025	Rep.	Switch Holder, Timer
NS	089-0001	1	Nameplate
NS	091-3022	Rep.	Switch, Timer
NS	091-3080	Opt.	Switch, Vacuum, Low Level Alarm
NS	092-1137	Opt.	Fitting, Hose Barb ¼" 'T'

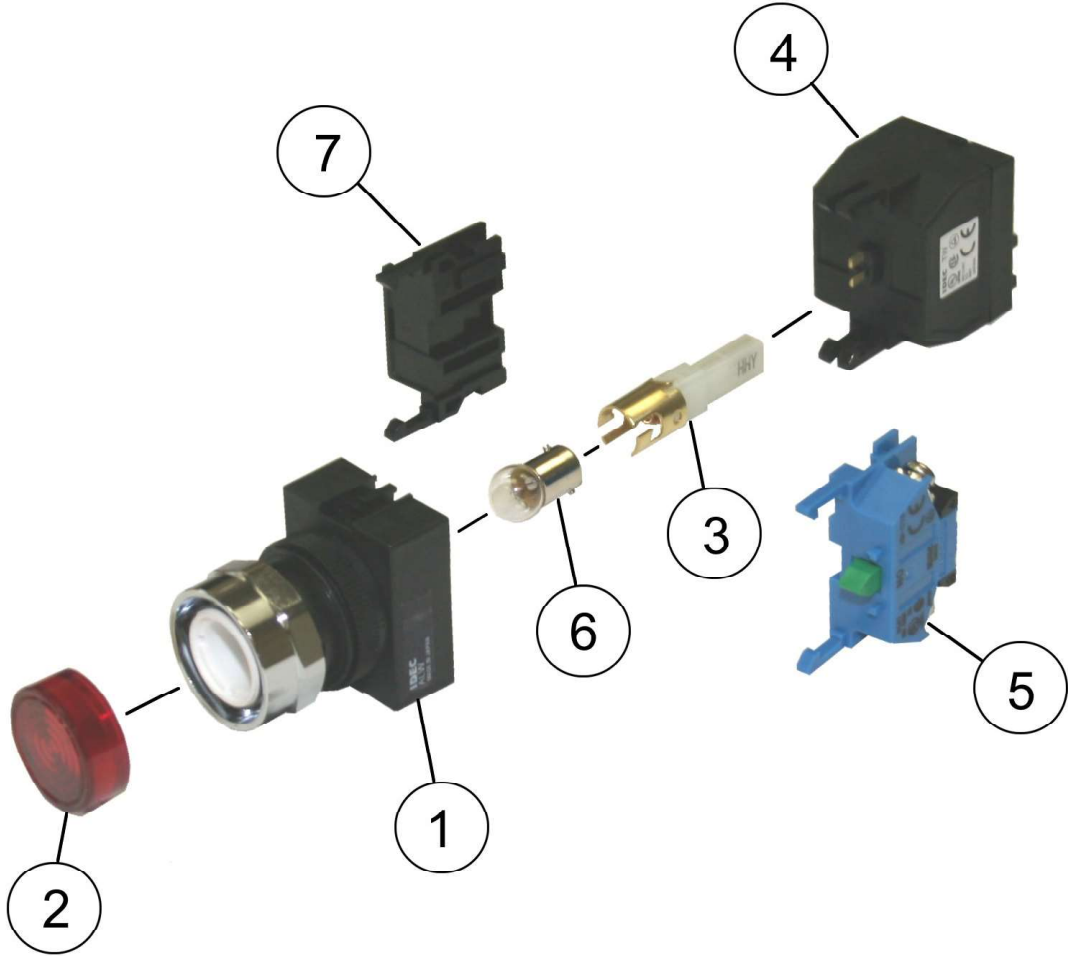


Chemical Pump Assembly

ASQ II

American Dish Service

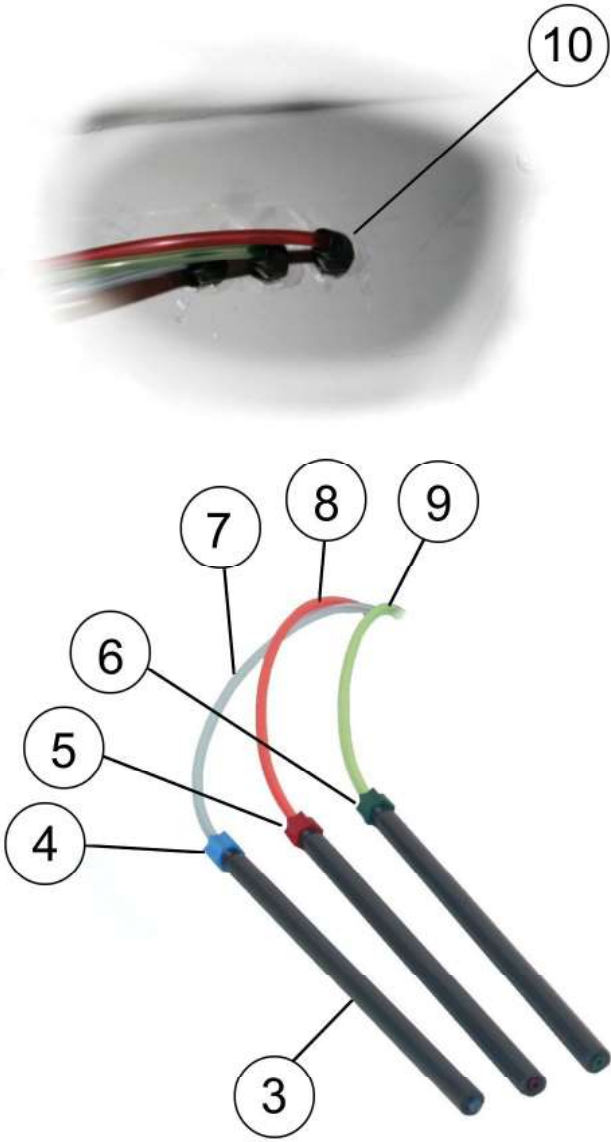
Ref. No.	Part No.	No. Req.	Description
1	091-1023	1	Gear Motor, 25 RPM
2	083-6701	1	Chemical Pump Housing
3	089-6701	1	Lubrication Pad
4	067-6701	1	Rotor Assembly
4A	098-1401	1	Set Screw, 1/4-20 x 1/4"
5	087-6700	1	Chemical Pump Tube (Squeeze)
6	083-6702	1	Cover
7	091-5224	2	Molex Male Pin
8	091-5223	2	Molex Cover
9	098-1310	1	Screw, FH, SS, 10-32 x 1 1/2"
10	098-1204	4	Screw, RH, SS, 8-32 x 1/2"
11	098-1606	2	Clamp (Squeeze Tube to Chem Tube Connection)
12	091-5222	Rep.	Molex Female Pin (Service Only)
13	091-5221	Rep.	Cover (Service Only)
14	098-1305	2	Screw, RH, SS, 10-32 x 1 1/2"
15	092-1146	2	Hose Barb, 1/4" x 3/16" (Squeeze Tube to Chem Tube Connection)
N/S	092-2000	Rep.	Squeeze Tubing (Bulk, Sold by the Foot)
N/S	091-1002	Opt.	Gear Motor, 50 RPM



091-3041
Start Switch Assembly
ASQ II

American Dish Service

Ref. No.	Part No.	No. Req.	Description
1	091-3042	1	Operator
2	091-3043	1	Red Lens
3	091-3034	1	Lamp Holder
4	091-3035	1	Transformer
5	091-3036	1	Contacts
6	091-3037	1	Lamp, LED
7	091-3048	1	Dummy Block



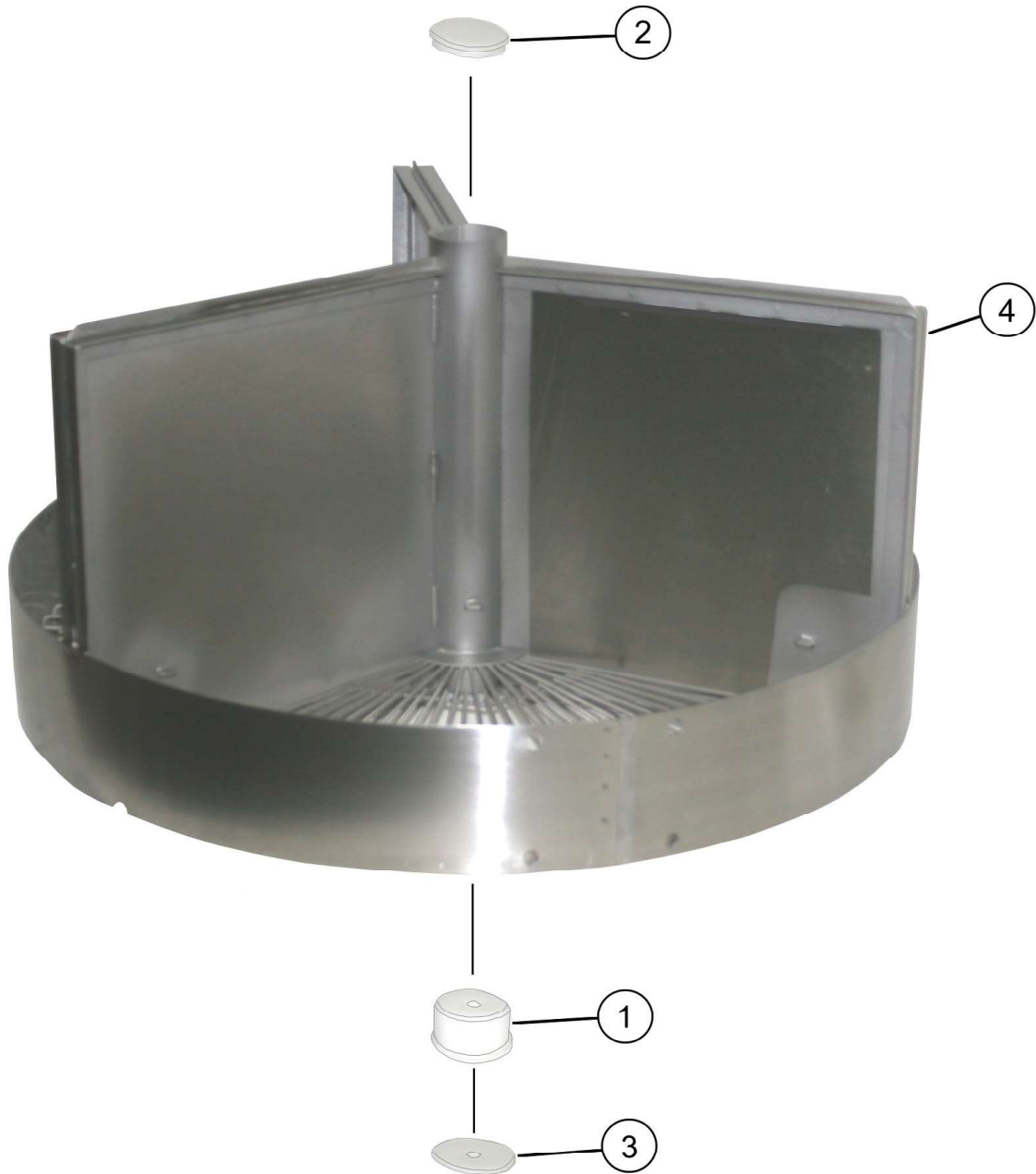
064-3401

Control System Accessories

ASQ II

American Dish Service

Ref. No.	Part No.	No. Req.	Description
1	087-6415	1	Cover, Control Box
2	096-1002	1	Lock, Control Box
3	083-6451	3	Tube Stiffener, Threaded
4	091-4158	1	Nut, Threaded Blue, Tube Stiffener
5	091-4157	1	Nut, Threaded Red, Tube Stiffener
6	091-4159	1	Nut, Threaded Green, Tube Stiffener
7	093-1061	90"	Tubing, Chemical Line, 1/4" Blue, (Polymer-By The Foot)
8	093-1063	90"	Tubing, Chemical Line, 1/4" Red, (Polymer-By The Foot)
9	093-1062	90"	Tubing, Chemical Line, 1/4" Green, (Polymer-By The Foot)
10	091-4135	3	Fitting, Chemical Discharge
		REP	For Decal Numbers See Decal Set Page



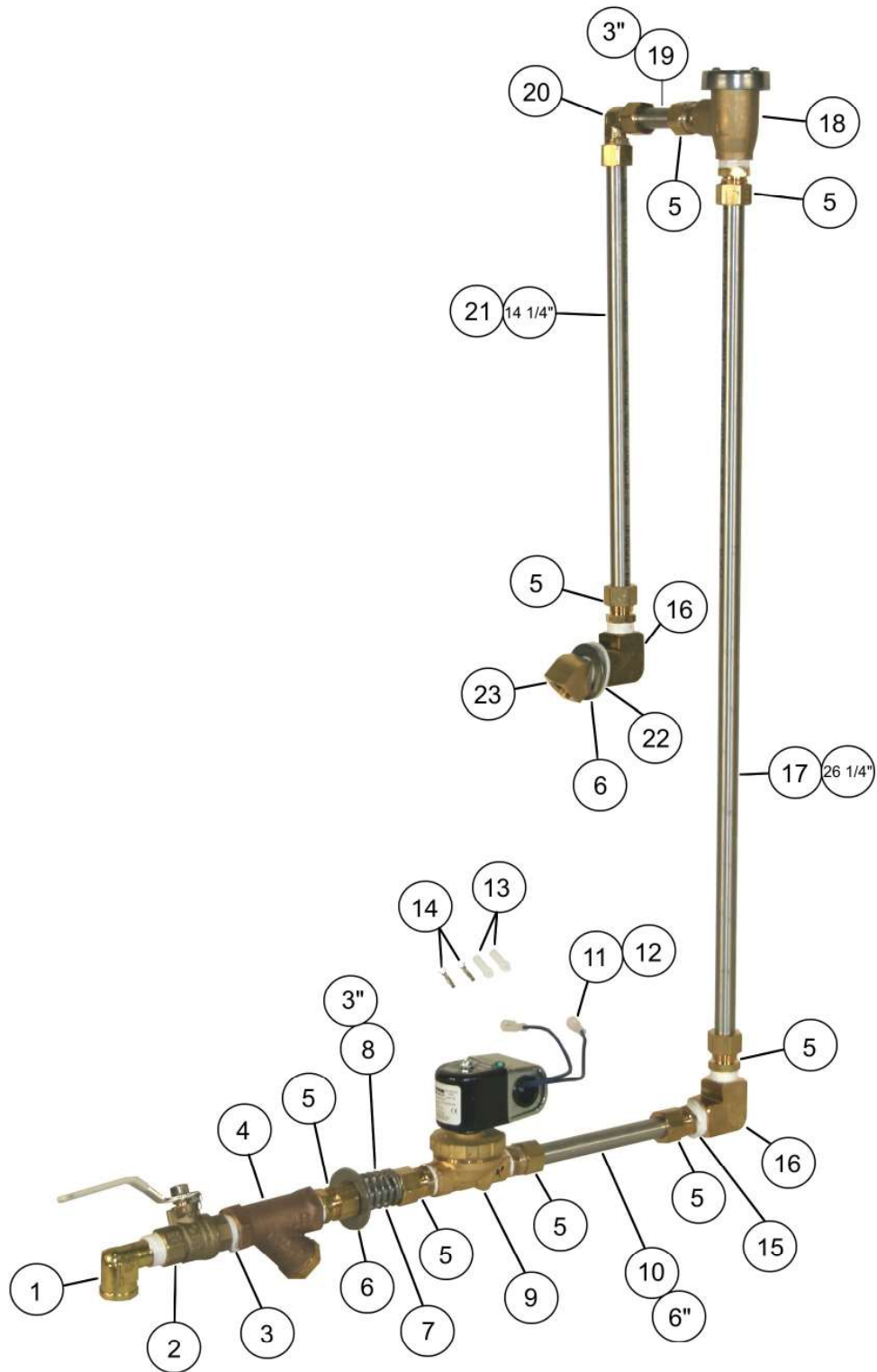
068-0200

Carousel Assembly

ASQ II

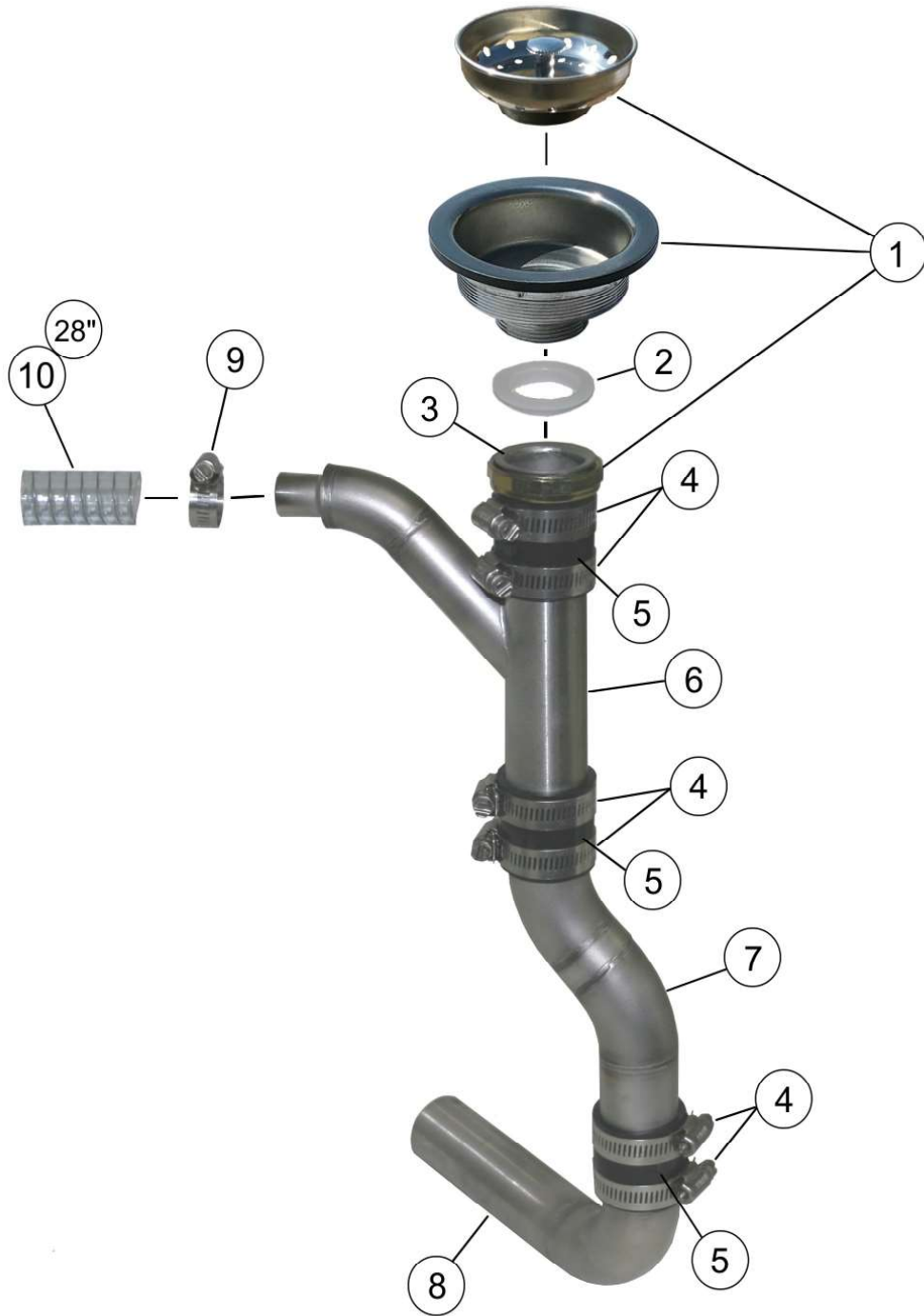
American Dish Service

Ref. No.	Part No.	No. Req.	Description
1	084-6803	1	Center Post Bushing
2	084-6802	1	Center Post Cap
3	084-6801	1	Center Post Spacer
4	085-6806	1	Carousel Weldment



American Dish Service

Ref. No.	Part No.	No. Req.	Description
1	092-1006	1	Fitting, Plumbing Street "L" 1/2" 90°
2	092-5054	1	Valve, Ball 1/2"
3	292-3003	1	Nipple, 1/2" X Close, SS
4	092-9001	1	Line Strainer, 1/2" Y Type
5	092-1058	8	Fitting, Plumbing 5/8" Compression X 1/2" MPT
6	098-2912	2	Washer, 7/8" SS
7	098-3005	1	Spring, Carousel Gusset
8	094-1040	1	Tubing, Plumbing 5/8" OD SS (Sold By The Inch)
9	092-5015	1	Valve, Water Solenoid, Complete 1/2"
10	094-1040	1	Tubing, Plumbing 5/8" OD SS (Sold By The Inch)
11	091-5223	2	Housing, Wiring, Molex Male
12	091-5224	2	Pin, Wiring, Molex Connector Male
13	091-5221	Rep.	Housing, Wiring, Molex Female
14	091-5222	Rep.	Pin, Wiring, Molex Connectors Female
15	091-4144	1	Conduit, Locknut
16	092-1059	2	Fitting, Plumbing 1/2" FPT X 1/2" FPT 90° Elbow
17	094-1040	1	Tubing, Plumbing 5/8" OD SS (Sold By The Inch)
18	092-5045	1	Valve, Vacuum Breaker 1/2"
19	094-1040	1	Tubing, Plumbing 5/8" OD SS (Sold By The Inch)
20	092-1101	1	Fitting, Plumbing 5/8" Comp. X 1/2" MPT 90° Elbow
21	094-1040	1	Tubing, Plumbing 5/8" OD SS (Sold By The Inch)
22	089-6205	1	Gasket, ASQ/ASQ II Plumbing
23	092-1031	1	Fitting, Plumbing Street Elbow 1/2" 45°



066-2300

Drain System Assembly

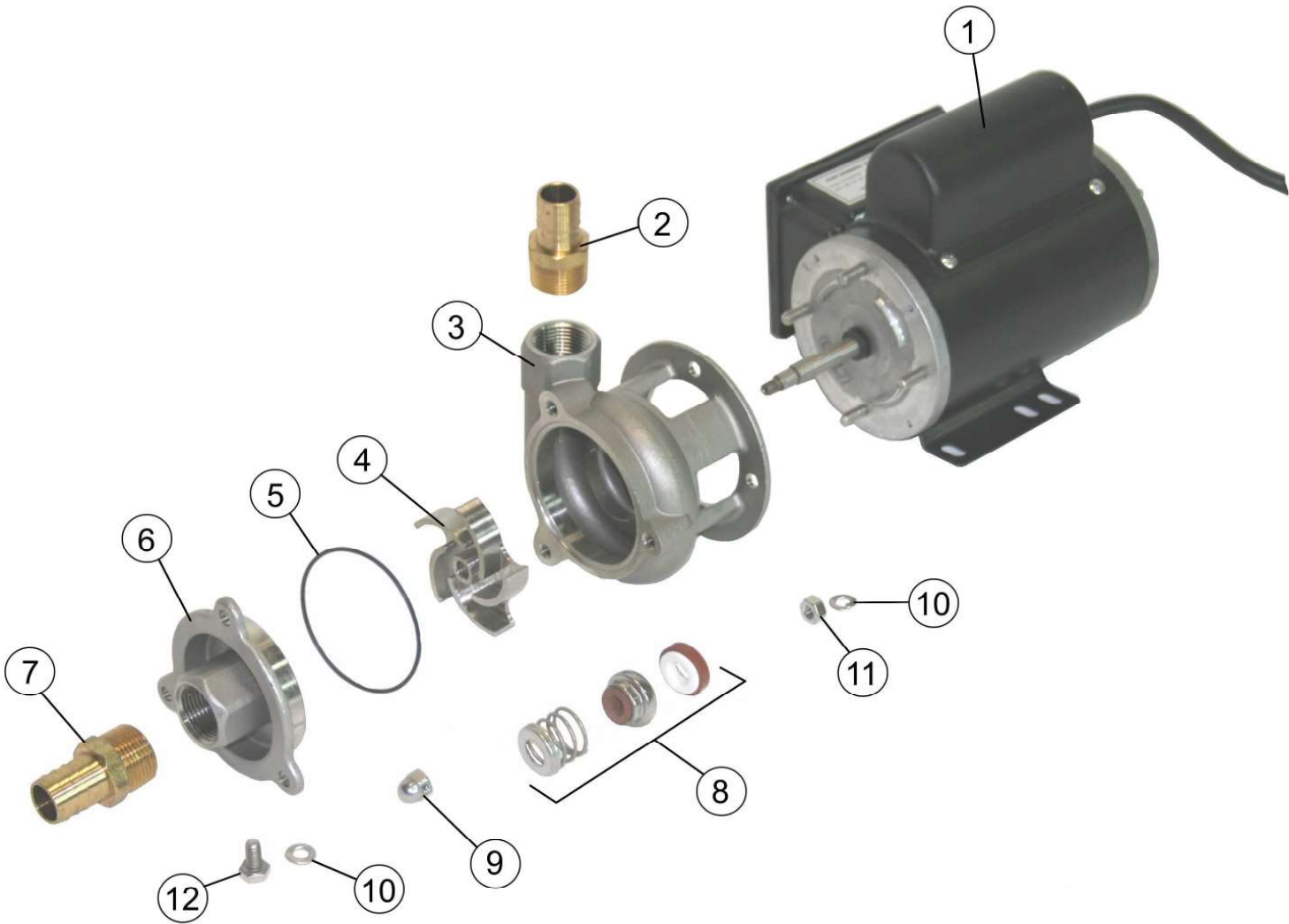
ASQ II

American Dish Service

Ref. No.	Part No.	No. Req.	Description
1	092-9003	1	Drain, Basket Strainer
2	092-1099	1	Gasket, 1 1/2" Slip nut
3	085-6236	1	Fitting, Sink Tail Piece, 1 1/2", SS
4	098-9037	6	Clamp, Tube Sleeve, 1 1/2"
5	093-1049	3	Sleeve, Rubber Tube
6	085-6237	1	Fitting, Hi-Line Tailpiece, 1 1/2"
7	085-6238	1	Pipe Weldment, 1 1/2" 'S'
8	085-6239	1	Plumbing, Fitting, 1 1/2" SS Waste Elbow
9	098-9009	1	Clamp, Hose 7/8" Screw Type
10	093-1051	Bulk	Hose, 3/4" ID Reinforced Vinyl (Sold By The Inch)

063-2900
Drain Pump Assembly
ASQ II

American Dish Service

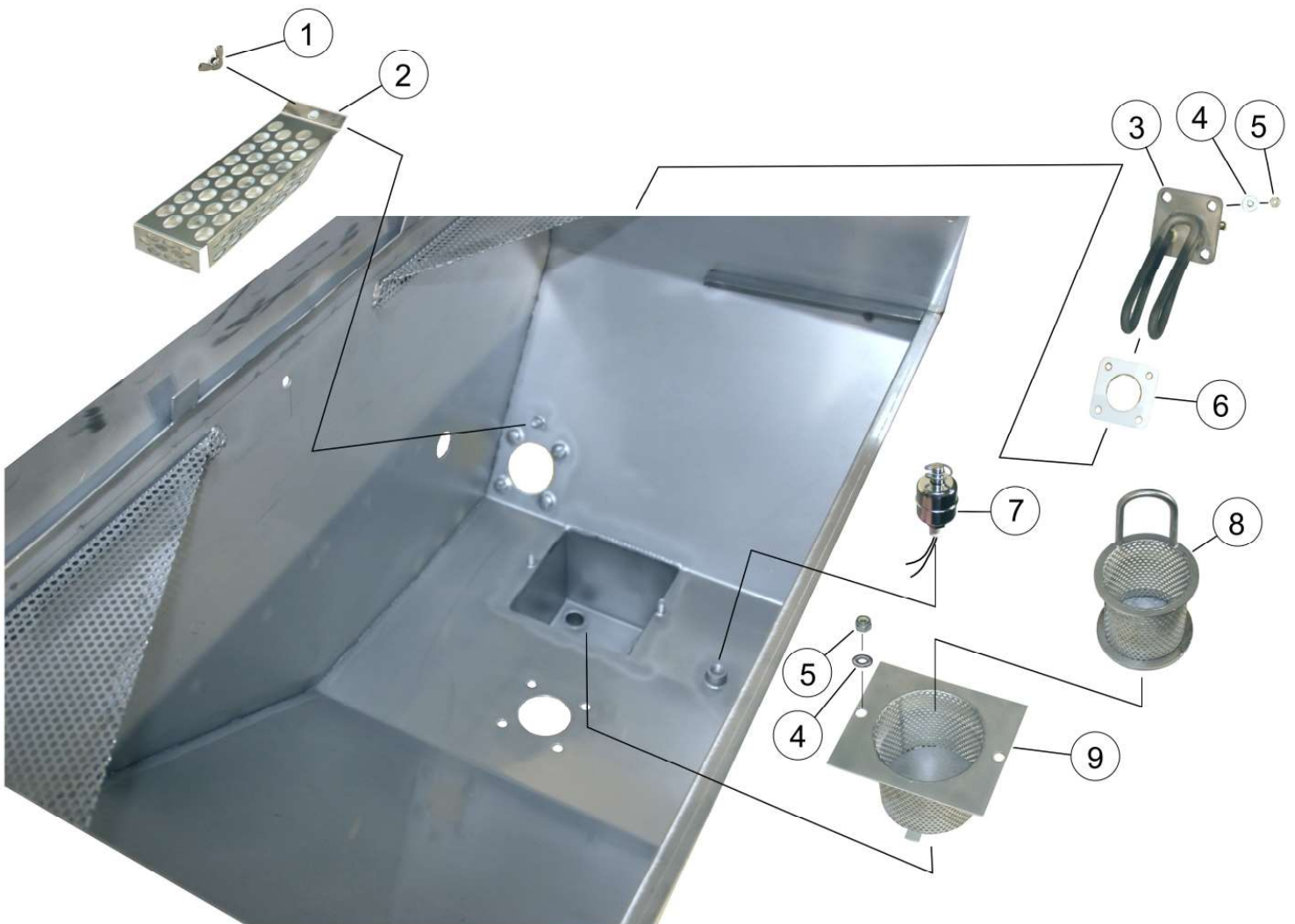


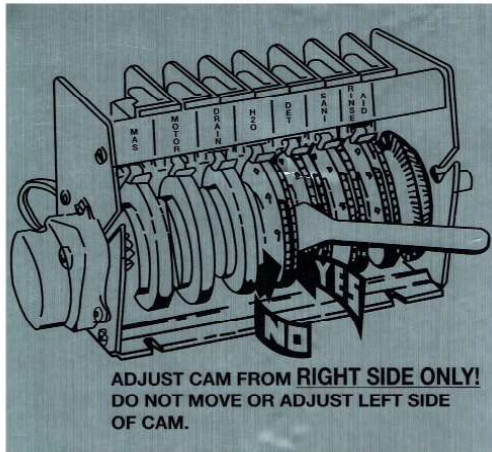
063-2900

Drain Pump Assembly ASQ II

American Dish Service

Ref. No.	Part No.	No. Req.	Description
1	091-1025	1	Motor, Pumped Drain Pump 1/6 HP
2	092-1151	1	Hose Barb,
3	082-6315	1	Rear Housing, Pumped Drain Pump
4	082-6317	1	Impeller, Pumped Drain Pump
5	089-6311	1	O-Ring
6	082-6316	1	Pump Cover, Pumped Drain Pump
7	092-1151	1	Hose Barb
8	092-2005	1	Seal Assembly
9	098-2405	1	Cap Nut
10	098-2417	7	Lockwasher
11	098-2401	4	Nut, 1/4-20, HH, SS
12	098-1423	3	Bolt, 1/4-20 x 1/2" HH, SS
N/S	098-9009	Rep	Clamp, Hose
N/S	093-1051	Rep	Hose, Sold by the Foot





1

4

**DO NOT OPEN
UNLESS QUALIFIED
SERVICE TECHNICIAN**

10

**DO NOT
LEAVE ON WITHOUT WATER
WILL VOID WARRANTY**

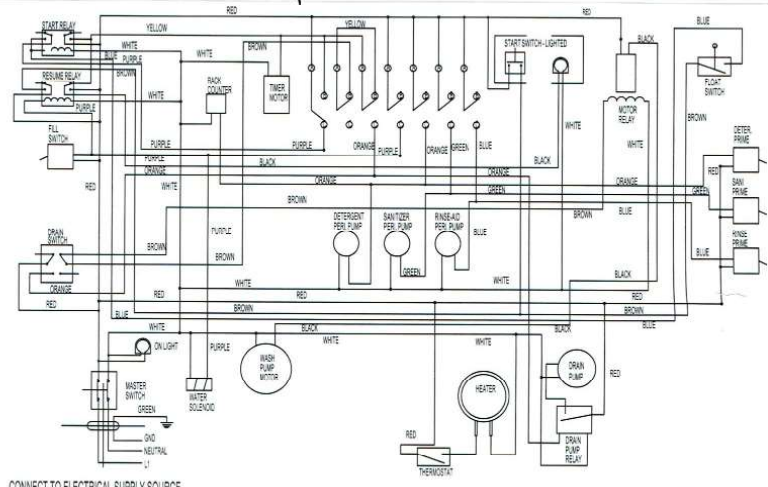
9

CONNECT TO ELECTRICAL SUPPLY SOURCE
USING 14-12 AWG COPPER WIRE
CIRCUIT PROTECTION: 15 AMP CIRCUIT BREAKER
OR FUSE WITH A 15 AMP RATING

3

5

**RINSE
PRIME SAN.
PRIME DET.
PRIME**



CONNECT TO ELECTRICAL SUPPLY SOURCE
USING 14-12 AWG COPPER WIRE
CIRCUIT PROTECTION: 15 AMP CIRCUIT BREAKER
OR FUSE WITH A 15 AMP RATING

WIRING DIAGRAM
MODEL ASQ

6

DAILY CLEANING INSTRUCTIONS
NECESSARY TO MAKE MACHINE FUNCTION PROPERLY

INSPECT SPRAY ARM JETS EACH SHIFT

- REMOVE END PLUG
- USE TOOTHPICK AND PUNCH TRASH INTO ARM
CAUTION: ARM WILL NOT TURN, IF JETS ARE PLUGGED
- FLUSH TRASH FROM ARM, BY RINSING UNDER FAUCET - REPLACE PLUGS

CLEAN PUMP SCREEN EVERY SHIFT

- SPLASH GUARDS MUST BE REMOVED BEFORE SCREENS ARE TAKEN OUT
- REMOVE SCREENS
- THOROUGHLY CLEAN SCREENS UNDER FAUCET
- REINSTALL PARTS CORRECTLY IN REVERSE ORDER

7

DRAIN FILL

8

H A U T H E R W A S H D R A I N H 2 O D E T S A N I R I N S E

2

MODEL ASQ or ASQ II Warewashing Machine
NSF Operational Requirements
as manufactured by American Dish Service

Wash Temperature: 120° F minimum
Rinse Temperature: 150° F minimum
Wash Time: 45 seconds per cycle
Dwell Time: (Drain/Dwell/Fill) 16 seconds per cycle
Rinse Time: 14 seconds per cycle
Chlorine Required: 50 ppm free chlorine
Total Water Demand: 1.27 gallons per cycle

American Dish Service

*Manufacturer of low and high temperature
Commercial Dishwashers and Glasswashers*

900 Blake Street
Edwardsville, Kansas 66111
Ph:(913) 422-3700
Fax:(913) 422-6630