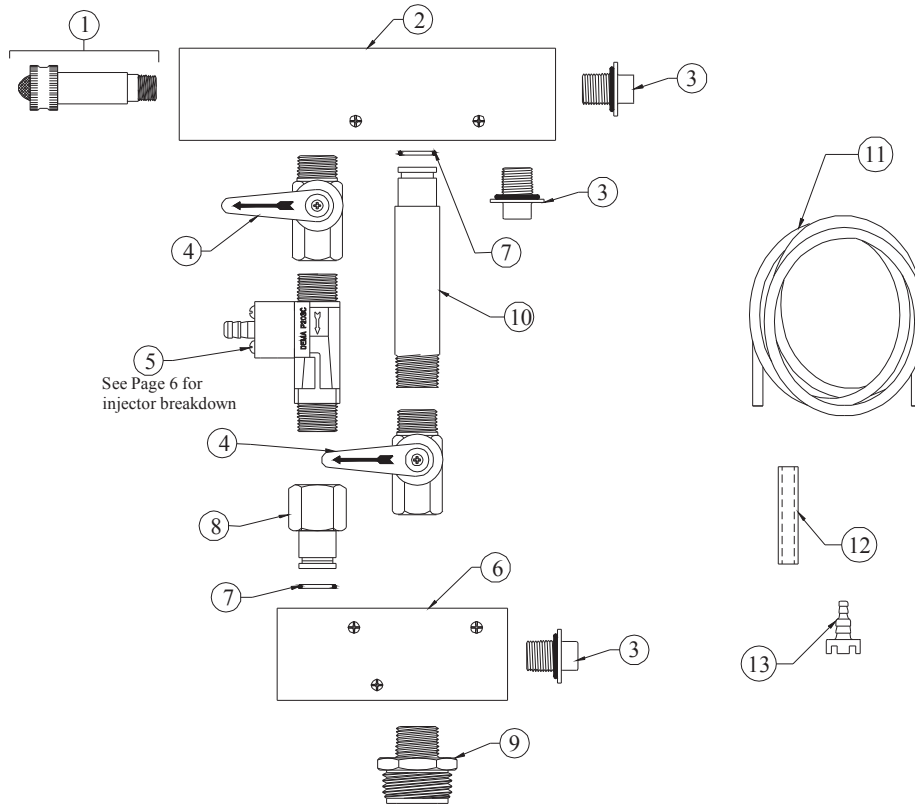
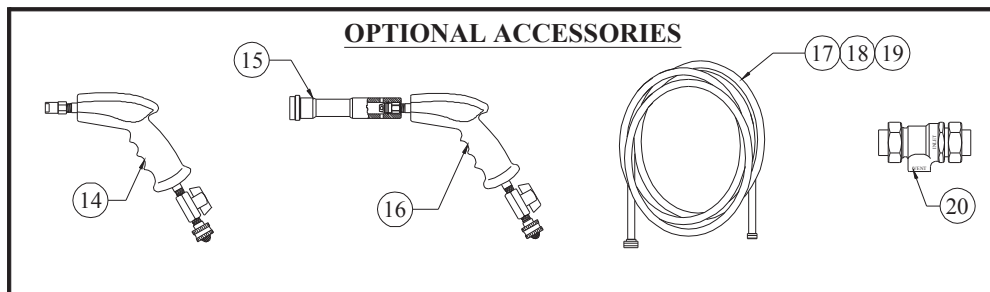


DEMA[®] SPRAY CLEAN DISPENSERS MODEL 605T



See Page 6 for injector breakdown



NO.	PART NO.	DESCRIPTION
1	63-32-2	Water Inlet
2	69-8-1	Top Manifold
3	66-153	Pipe Plug & O-Ring Assy.
4	60-60 65-2	Ball Valve w/Handle or Ball Valve 3/8" NPT
5	P203CTC	Injector
6	69-5-1	Bottom Manifold
7	30-5-14	O-Ring (EP)
8	69-9-1	Adapter
9	65-18-1	Outlet Fitting
10	58-83-1	Pipe Adapter
11	100-12	Vinyl Tubing 1/4 ID X 8' Lg.
12	61-107-2	Ceramic Weight
13	24-11MP	Foot Strainer

OPTIONAL ACCESSORIES		
NO.	PART NO.	DESCRIPTION
14	40-14HD	Heavy Duty Spray Gun
15	292QD	Foam Wand W/ Disconnect
16	40-14QD	Heavy Duty Spray Gun W/ Disconnect
17	44-3	1/2 ID X 25' Hose (Black)
18	44-3RW	1/2 ID X 25' Spring Garden Hose (Red)
19	44-3W	1/2 ID X 25' Hose (White)
20	44-89	Backflow Preventer (A.S.S.E. 1012)