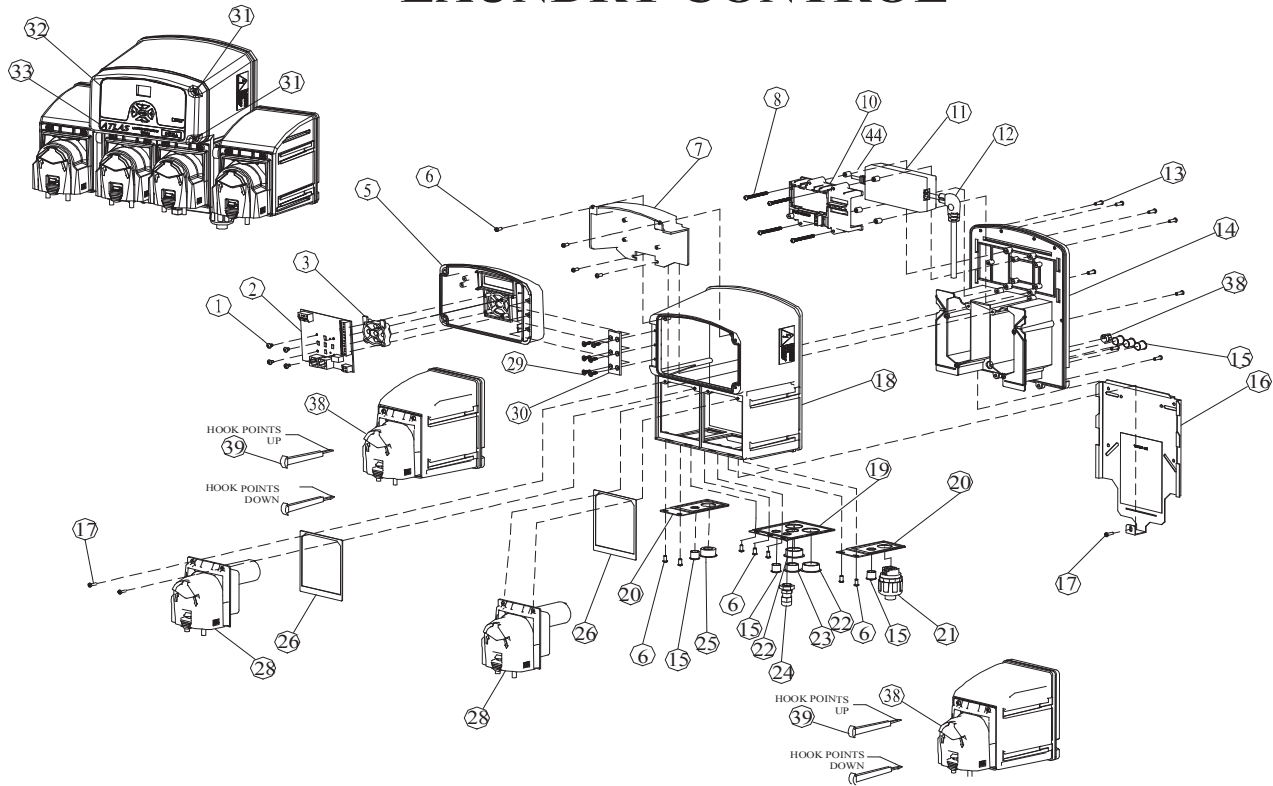


DEMA ATLAS 844P™ SERIES LAUNDRY CONTROL



NO.	QTY.	DEMA NO.	DESCRIPTION
1	4	81-20-1	#4 HI-LO SCREW
2	1	84-153-1	CONTROL BOARD AND DISPLAY ASSY.
3	1	81-147-1	KEY PAD
5	1	81-139-1	CONTROL COVER
6	11	44-116-2	#8 X 3/8" HI-LO SCREW
7	1	81-137-1	FIREWALL
8	4	41-63-10	#8-32 X 1 3/4 PHIL. SS SCREW
10	1	81-138-1	POWER SUPPLY BRACKET
11	1	84-154-1	POWER SUPPLY (includes 84-xxx-x power supply cable)
12	1	84-125-1	POWER SUPPLY CABLE
13	8	44-116-1	#8 X 1/2 HI-LO SCREW
14	1	81-170-1	ENCLOSURE ASSY. BACK
15	7	81-47-1	1/2" HOLE PLUG
16	1	81-187-1	MOUNTING BRACKET
17	5	41-40-2	#6-32 X 1/2 PHIL SS SCREW
18	1	81-168-1	ENCLOSURE ASSY.
19	1	81-186-11	LARGE ACCESS PANEL ASSY.
20	1	81-186-5	SMALL ACCESS PANEL ASSY. W/TWO HOLE PLUGS
	1	81-186-7	SMALL ACCESS PANEL ASSY. W/CONDUIT FITTING
21	1	81-148-3	CONDUIT FITTING
22	2	81-47-6	1" HOLE PLUG
23	1	81-47-5	3/4" HOLE PLUG
24	1	81-16	LIQUID-TIGHT FEED THROUGH
25	1	81-47-4	7/8" HOLE PLUG
26	2	81-159-1	GASKET - PUMP BASE
28	2 - 6	81-173-5	PUMP 2 SPRING 1/4" ID - 105RPM
	2 - 6	81-173-1	PUMP 2 SPRING 1/4" ID - 60RPM
29	6	81-19-7	#8 SCREW (HINGE SCREW)
30	1	81-140-1	HINGE
31	2	81-29-2	CAPTIVE SCREW
32	1	L942	DISPLAY LABEL
33	1	L941	ATLAS LABEL
35	2	81-32-44	RED CABLE ASSEMBLY
36	2	81-32-43	BLACK CABLE ASSEMBLY
38	1	81-198-4	PUMP MODULE ASSY. W / 2 SPRING 1/4" ID 105 RPM PUMP
39	2	81-144-1	SIDE MODULE JOINT
40	1	81-173-1	DETERGENT PUMP - 60 RPM (SEE BREAKOUT DRAWING)
44	4	81-193-1	SPACER