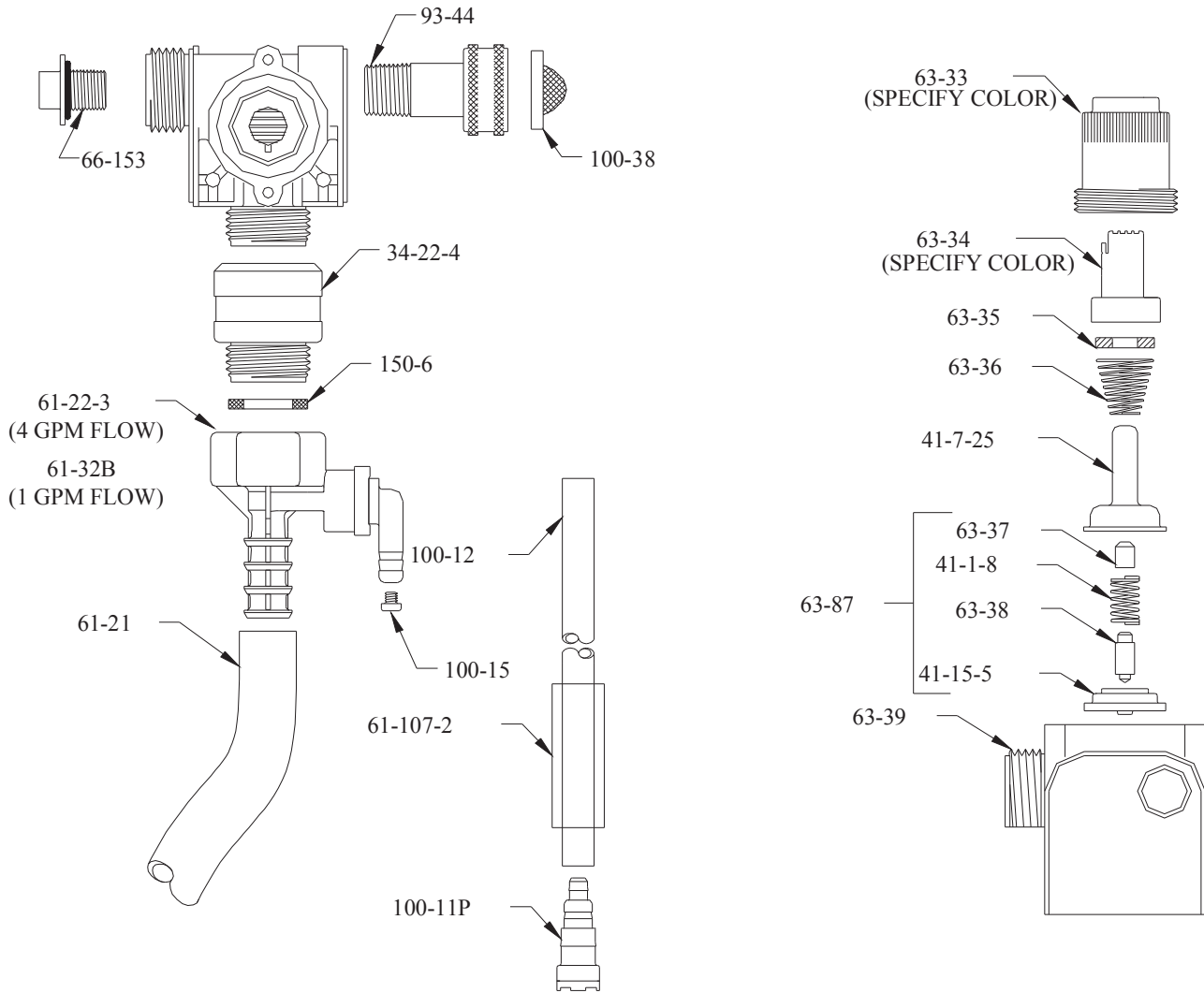


# BLEND CENTER, MODEL 681-1



PART NO.	DESCRIPTION
34-22-4	SIPHON BREAKER
41-1-8	KICK-OFF SPRING
41-7-25	ENCLOSING TUBE
41-15-5	DIAPHRAGM
61-21	VINYL TUBE (1/2 ID X 6' LG.)
61-22-3	PROPORTIONER
61-107-2	CERAMIC WEIGHT
63-33	MAGNET HOUSING (SPECIFY COLOR)
63-34	PUSH BUTTON (SPECIFY COLOR)
63-35	MAGNET
63-36	SPRING
63-37	SPACER
63-38	PLUNGER
63-39	VALVE BODY

PART NO.	DESCRIPTION
63-87	VALVE REPAIR KIT
66-153	PIPE PLUG & O-RING
93-44	PIPE TO GARDEN HOSE ADAPTOR
100-11P	FOOT VALVE
100-12	VINYL TUBE (1/4 ID X 8' LG.)
100-38	INLET SCREEN
150-6	GARDEN HOSE RUBBER WASHER

## ACCESSORIES

61-25-5	FRESH WATER OUTLET KIT
61-32B	1 GPM PROPORTIONER
100-15K	METERING TIP KIT (13 SIZES)
163CB	MEDIUM CAPACITY PROPORTIONER
163CH	HIGH CAPACITY PROPORTIONER