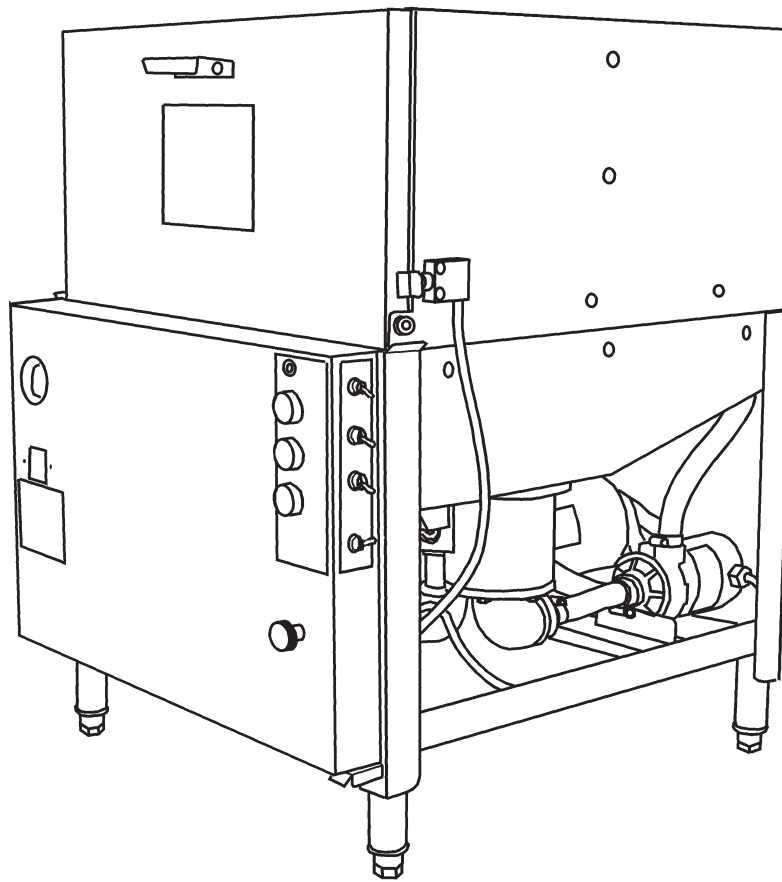


EFFECTIVE: October 2011

# *American Dish Service*

ADS UNDERCOUNTER DISHWASHER

**MODEL: ET-PD-H**



# PARTS MANUAL

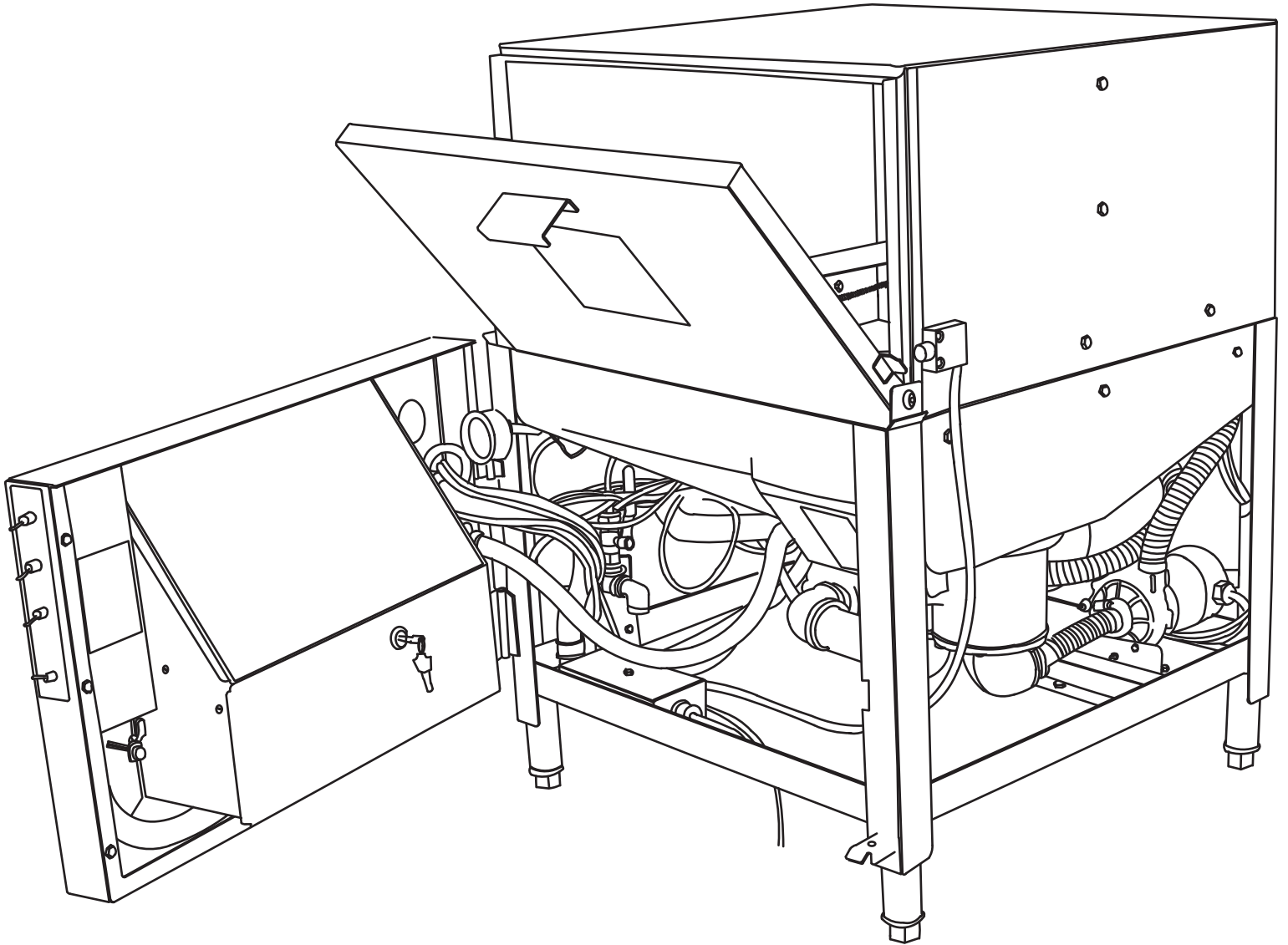
900 Blake Street  
Edwardsville, Kansas 66111  
(913)422-3700

017-0090 / 018-0090 / 022-0090

Models:

ETAF / ETAF-3 / ETAF-M

**American Dish Service**



017-0090 / 018-0090 / 022-0090

Models:

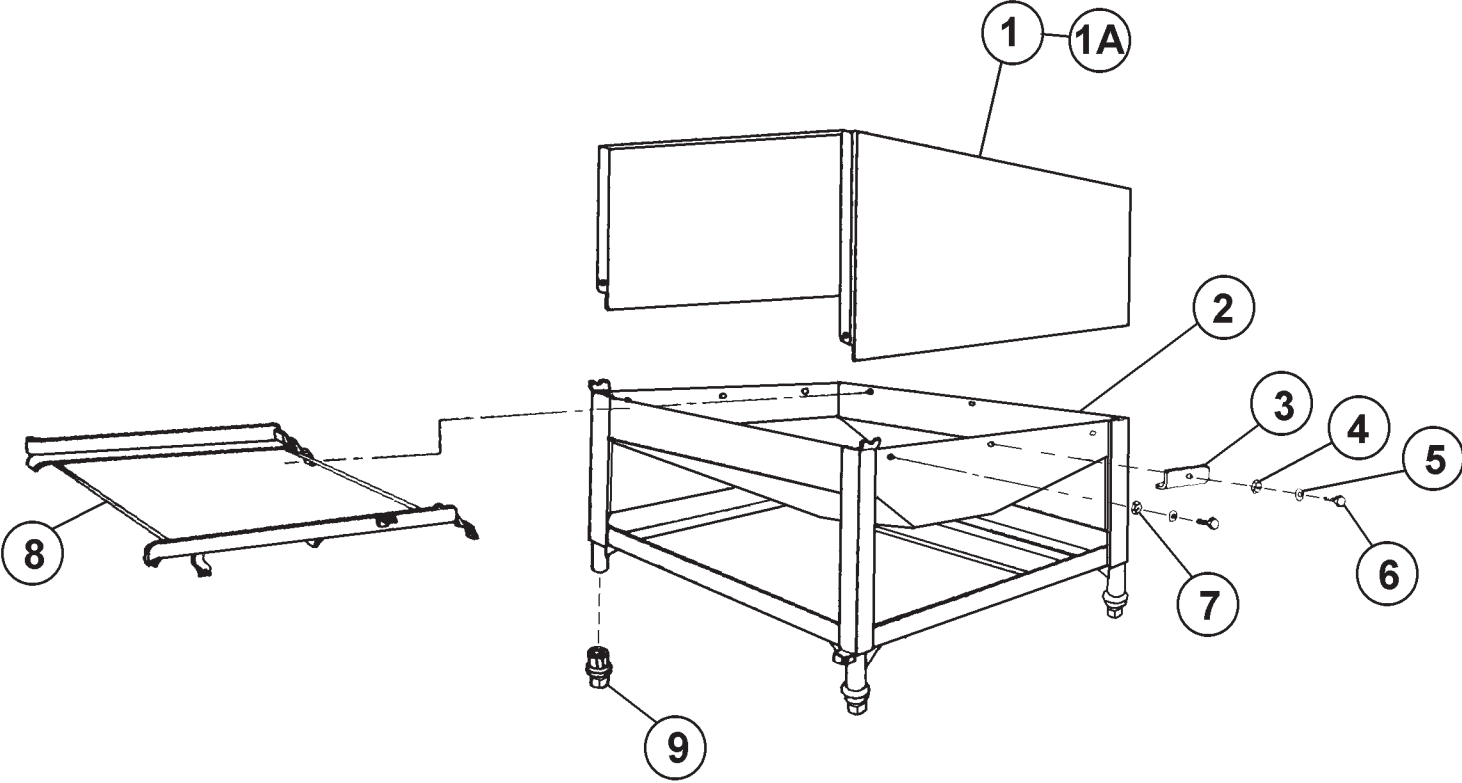
ETAF / ETAF-3 / ETAF-M

**American Dish Service**

Ref. No.	Part No.	No. Req.	Description
1	067-1200	1	Door Actuator Assembly ETAF/ETAF-M
1A	067-0800	Opt.	Door Actuator Assembly ETAF-3
2	061-0800	1	Cabinet Assembly ETAF/ETAF-M
2A	061-1900	Opt.	Cabinet Assembly ETAF-3
3	062-0700	1	Spray System Assembly ETAF
3A	062-0007	1	Upper Manifold Assembly ETAF-M
4	066-1400	1	Drain System Assembly ETAF/ETAF-M/ETAF-3
5	063-1500	1	Recirculating Pump Assembly ETAF/ETAF-M/ETAF-3
6	065-1600	1	Fresh Water Plumbing Assembly ETAF/ETAF-M
6A	065-1800	Opt.	Fresh Water Plumbing Assembly ETAF-3
7	064-2000	1	Control System Assembly ETAF/ETAF-M/ETAF-3

061-0800 Cabinet Assembly  
ETAF / ETAF-M  
061-1900 Cabinet Assembly  
ETAF-3

# American Dish Service



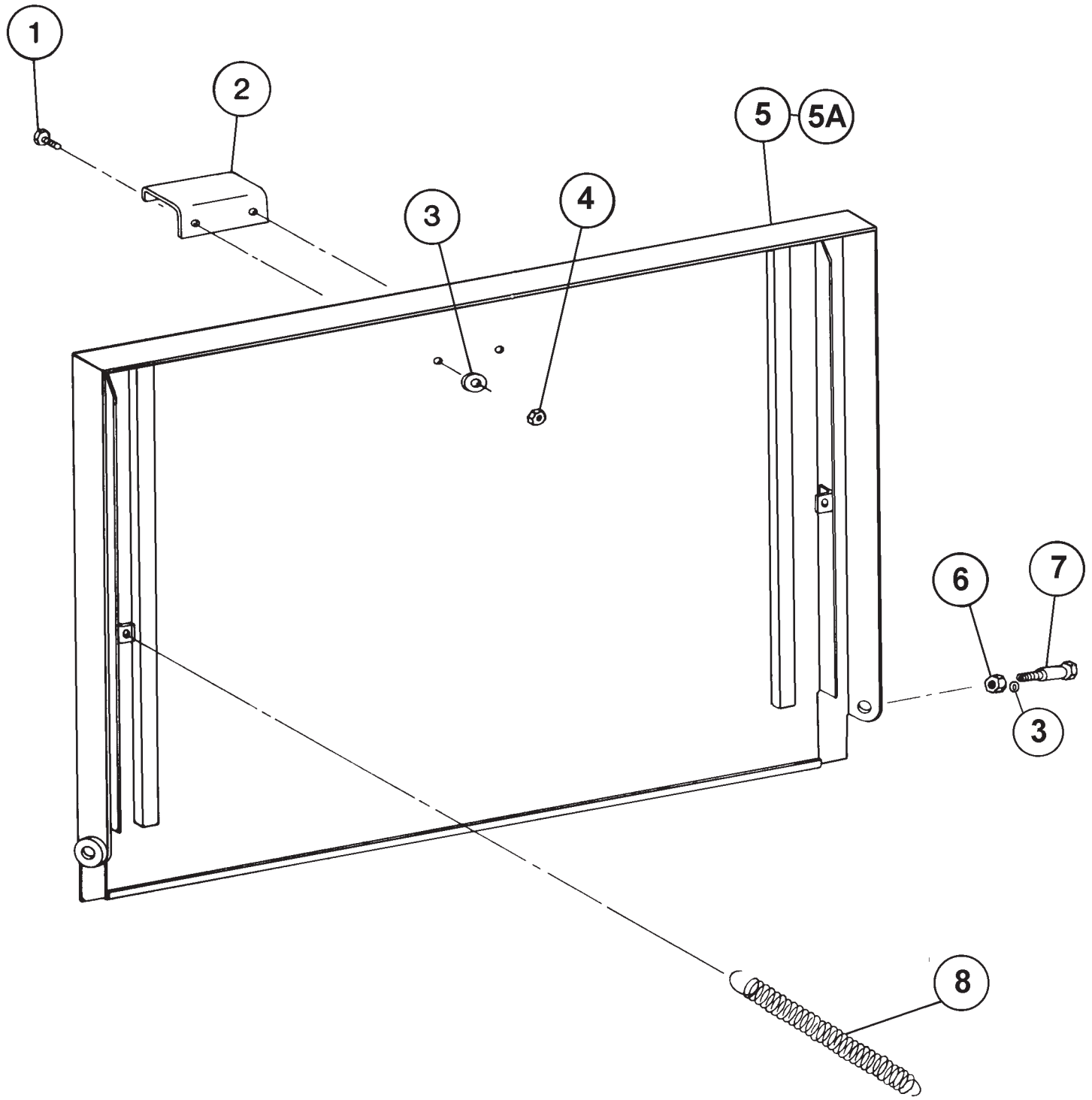
**061-0800 Cabinet Assembly  
 ETAF / ETAF-M  
 061-1900 Cabinet Assembly  
 ETAF-3**

**American Dish Service**

<b>Ref. No.</b>	<b>Part No.</b>	<b>No. Req.</b>	<b>Description</b>
1	085-6173	1	Hood Weldment, ETAF/ETAF-M
1A	085-6128	Opt.	Hood Weldment, ETAF-3
2	085-6138	1	Pan/Frame Weldment, ETAF/ETAF-M/ETAF-3
3	064-0029	1	Chemical Feeder Assembly, ETAF/ETAF-M/ETAF-3
4	098-2507	3	Locknut, 1/4-20, SS
5	098-2404	11	Washer, 1/4", SS
6	098-1423	11	Bolt, 1/4-20 x 1/2" , HH, SS
7	098-2507	8	Locknut, 1/4-20, SS
8	085-6133	1	Tray Track Weldment
9	099-1019	4	Bullet Foot, Plastic

067-1200 Door Actuator Assembly  
ETAF / ETAF-M  
067-0800 Door Actuator Assembly  
ETAF-3

**American Dish Service**



067-1200 Door Actuator Assembly

ETAF / ETAF-M

067-0800 Door Actuator Assembly

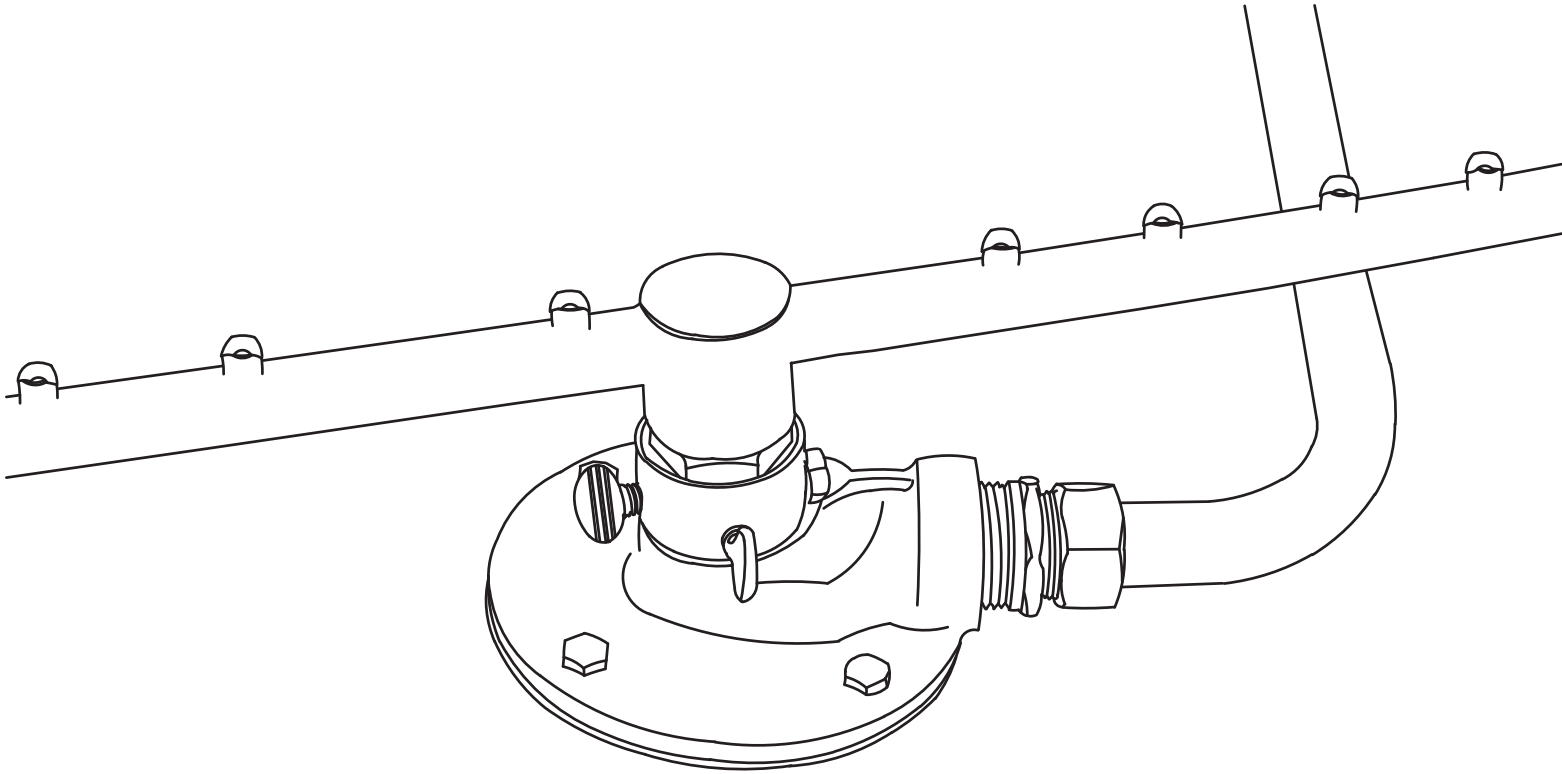
ETAF-3

*American Dish Service*

Ref. No.	Part No.	No. Req.	Description
1	098-1423	2	Bolt, ¼-20 x ½”, HH, SS
2	086-6818	1	Handle
3	098-2404	4	Washer, ¼”, SS
4	098-2507	4	Washer, ¼-20, SS
5	085-6144	1	Door Weldment, ETAF/ETAF-M
5A	085-6129	Opt.	Door Weldment, ETAF-3
6	098-2412	2	Locknut, ¼-20, SS
7	098-1417	2	Door Pivot Bolt
8	098-3012	2	Spring
N/S	086-6430	2	Brackets, Spring (Bolted to Sides of Hood)

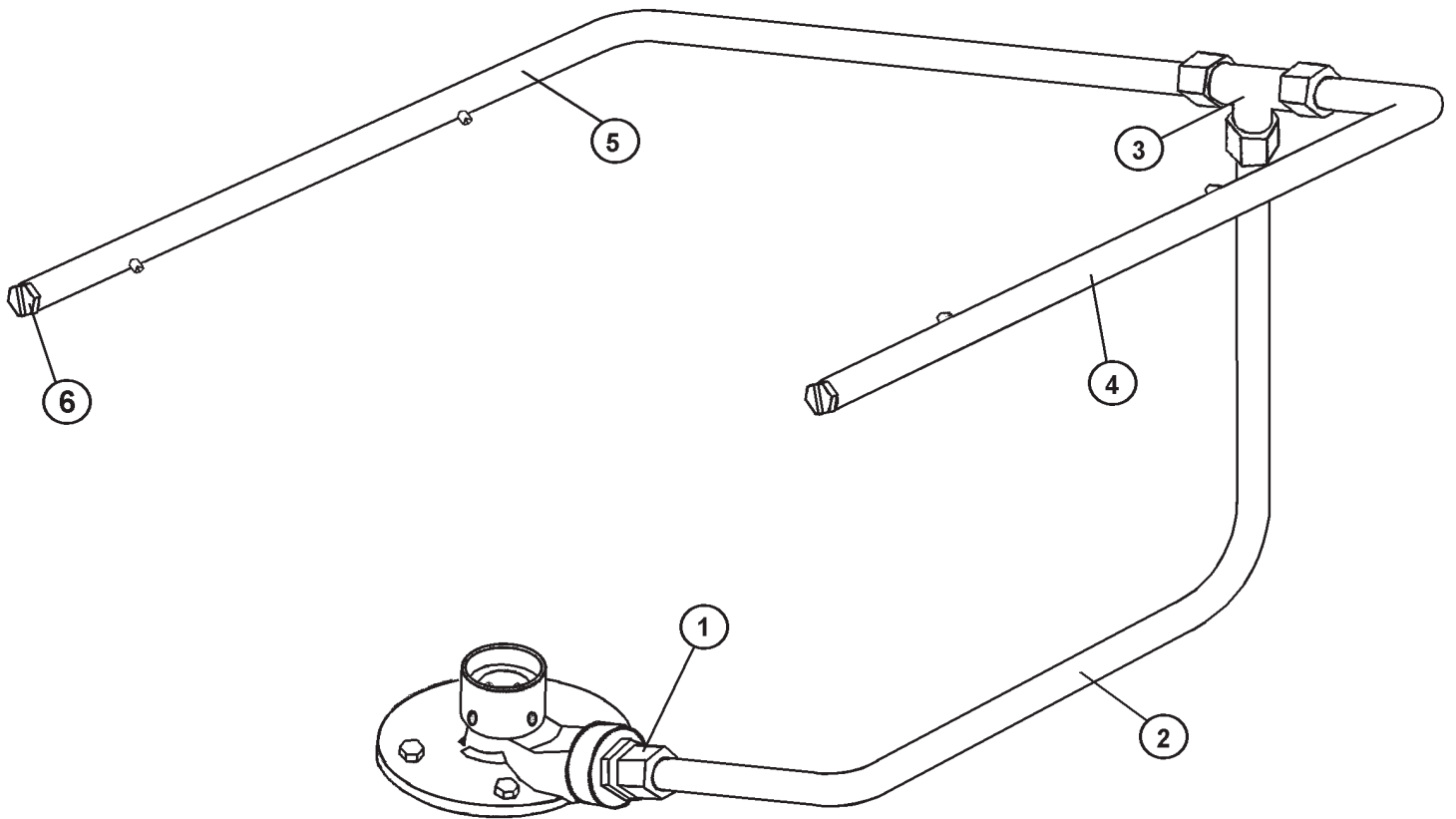
062-0700  
Spray System Assembly  
ETAF / ETAF-3 / ETAF-M

**American Dish Service**







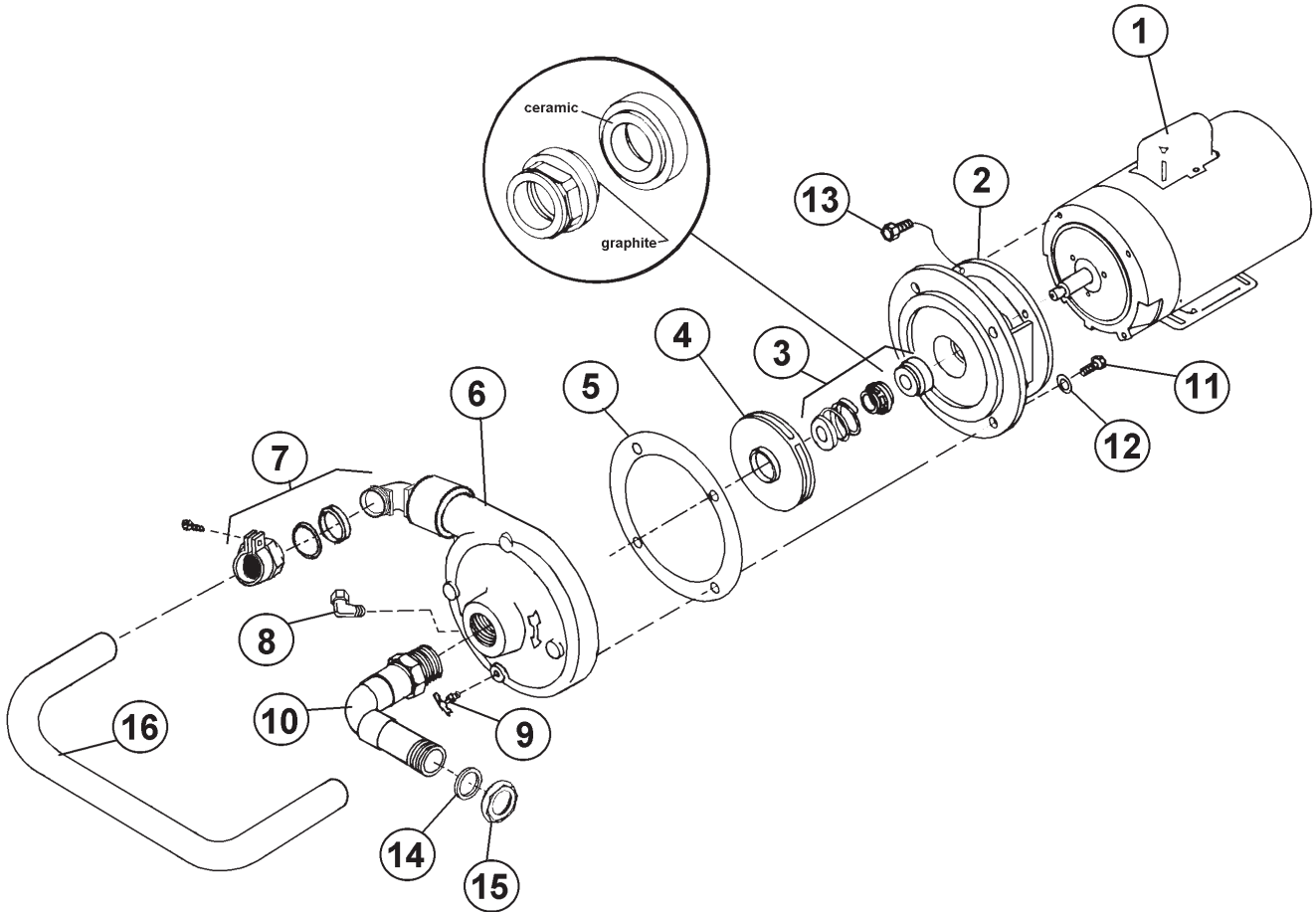


062-0007

UpperManifold Assembly  
ETAF-3 / ETAF-M

**American Dish Service**

<b>Ref. No.</b>	<b>Part No.</b>	<b>No. Req.</b>	<b>Description</b>
1	092-1009	1	Compression Fitting, 7/8" Comp x 1" MPT, Brass
2	087-6210	1	Riser Pipe, ET-AF-M
Opt.	087-6211		Riser Pipe, ET-AF-3
3	092-1109	1	Compression Tee, 7/8" x 7/8" x 7/8", Brass
4	085-6202	1	Upper Stationary Manifold, RH
5	085-6201	1	Upper Stationary Manifold, LH
6	084-6203	2	Spray Arm Endplugs, Brass
N/S	086-6725	2	Brackets, Upper Manifold Support
N/S	088-1054	Opt.	Kit, Upper Manifold

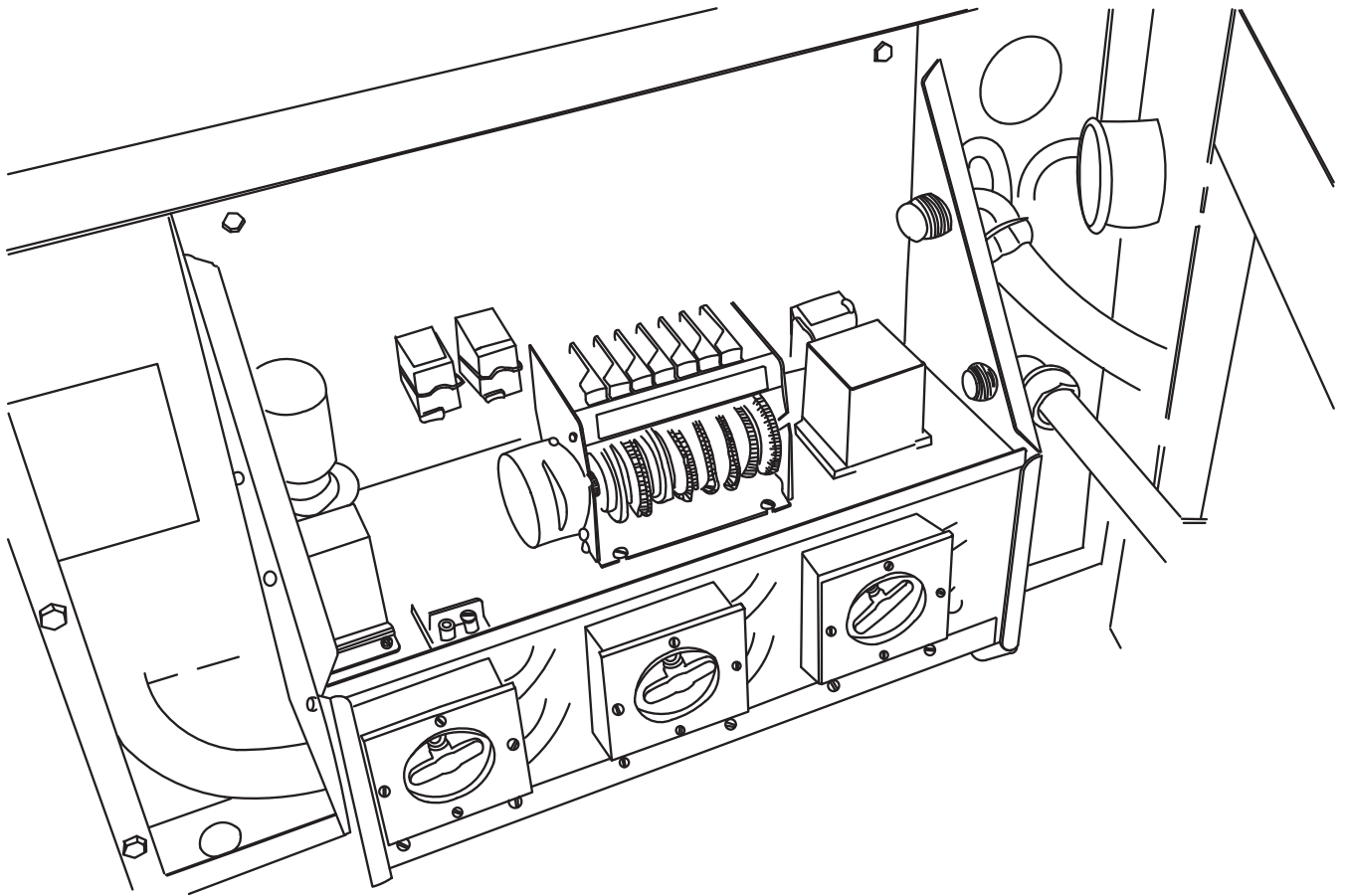


063-1500

Recirculating Pump Assembly  
 ETAF / ETAF-M / ETAF-3

***American Dish Service***

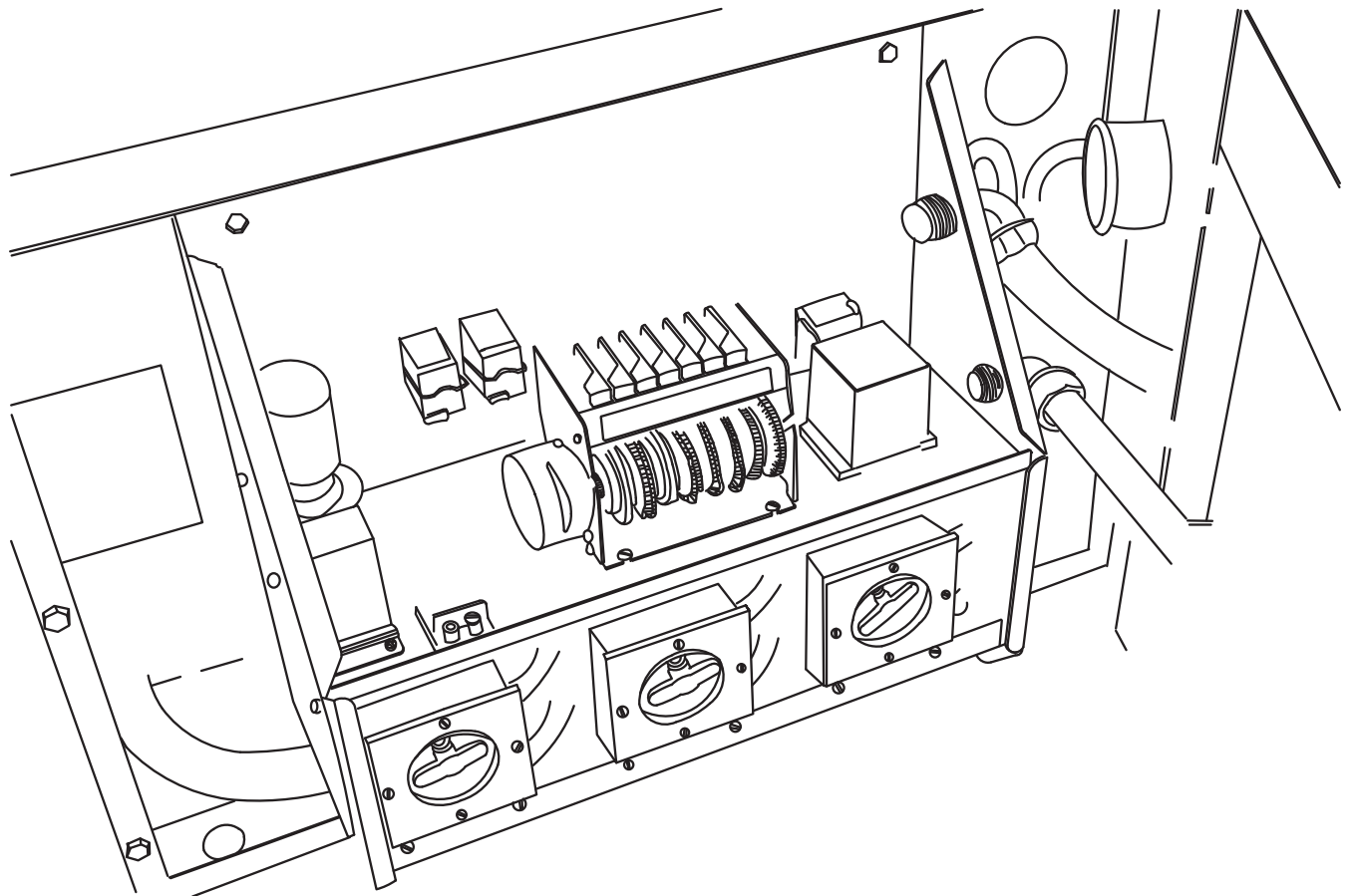
<b>Ref. No.</b>	<b>Part No.</b>	<b>No. Req.</b>	<b>Description</b>
1	091-1001	1	Motor
2	082-6301	1	Rear Housing
3	092-2001	1	Seal Assembly
4	082-6303	1	Impeller
5	089-6303	1	Gasket
6	082-6302	1	Front Housing (Pump Cover)
7	092-1001	1	Ford Elbow
8	092-1022	1	Elbow, ½” Comp x 3/8 MPT 90
9	092-1002	1	Petcock 1/8” MPT
10	085-6317	1	Suction Tube Assembly
11	098-1507	2	Bolt, HH, SS, 5/16-18 x 7/8
N/S	098-1510	2	Bolt, HH, SS, 5/16-18 x 1 ¼
12	098-2503	4	Washer, Copper 5/16
13	098-1607	4	Bolt, 3/8-16 x 7/8” HH SS
14	092-2002	1	Gasket, Slipnut
15	092-1012	1	Slipnut 1 ½”
16	086-6210	1	Pump Discharge Tube
REP	092-1015	0	Ford Fitting Repair Kit (Replacement)
REP	088-1012	0	Pump Assembly Through Impeller (Needs Gasket 089-6303)



064-2000

Control System Assembly  
ETAF / ETAF-3 / ETAF-M**American Dish Service**

Ref. No.	Part No.	No. Req.	Description
1	087-6416	1	Control Box Cover
2	096-1002	1	Control Box Lock w/Key
3	085-6172	1	Skirt Weldment
4	098-2507	4	Locknut, ¼-20, HH,SS
5	091-4001	6	Grommet, ¼" ID
6	091-4140	3	Conduit Fitting, ¾" x 90°, Sealtite
7	098-2301	8	Locknut, 10-32, SS
8	081-6109	2	Hinge
9	098-1304	8	Bolt, Trusshead, 10-32 x 5/8", SS
10	091-3049	1	Electric Counter
11	064-0030	1	Conduit Assembly
12	098-1104	10	Bolt, RH, 6-32 x ½", SS
13	093-1044	1	Chemical Tube, Blue (Sold by the Foot)
14	093-1045	1	Chemical Tube, Green (Sold by the Foot)
15	093-1046	1	Chemical Tube, Red (Sold by the Foot)
16	093-1044	1	Chemical Tube, Blue (Sold by the Foot)
17	093-1045	1	Chemical Tube, Green (Sold by the Foot)
18	093-1046	1	Chemical Tube, Red (Sold by the Foot)
19	098-2101	10	Nut, HH, 6-32, SS
20	099-1004	1	Timer Adjustment Key
21	091-3004	1	Timer, 90 Second
	091-3005	Opt.	Timer, 120 Second
	091-3006	Opt.	Timer, 150 Second
22	064-0001	3	Chemical Pump Assembly (Peristaltic)
23	098-1605	3	Hose Clamp
24	083-6407	3	Tube Stiffener
25	098-1423	2	Bolt, ¼-20 x ½", HH, SS
26	086-6188	1	Switch Box Cover
27	091-3083	1	Contacto
28	091-3011	1	Instant Start Relay Socket
29	099-1017	1	Door Latch Assembly
30	081-6418	1	Control Box Weldment
31	091-3009	3	Toggle Switch



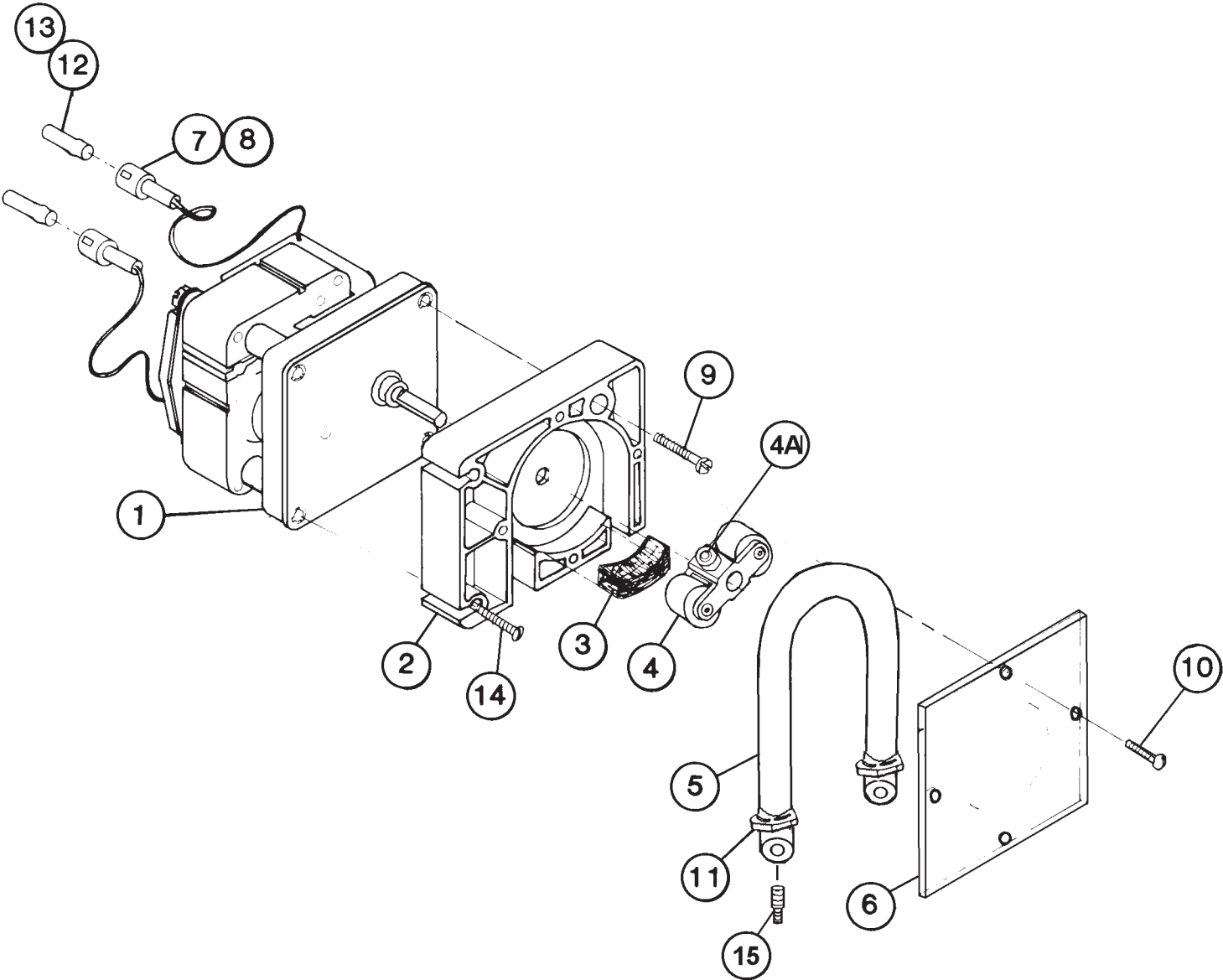


064-2000

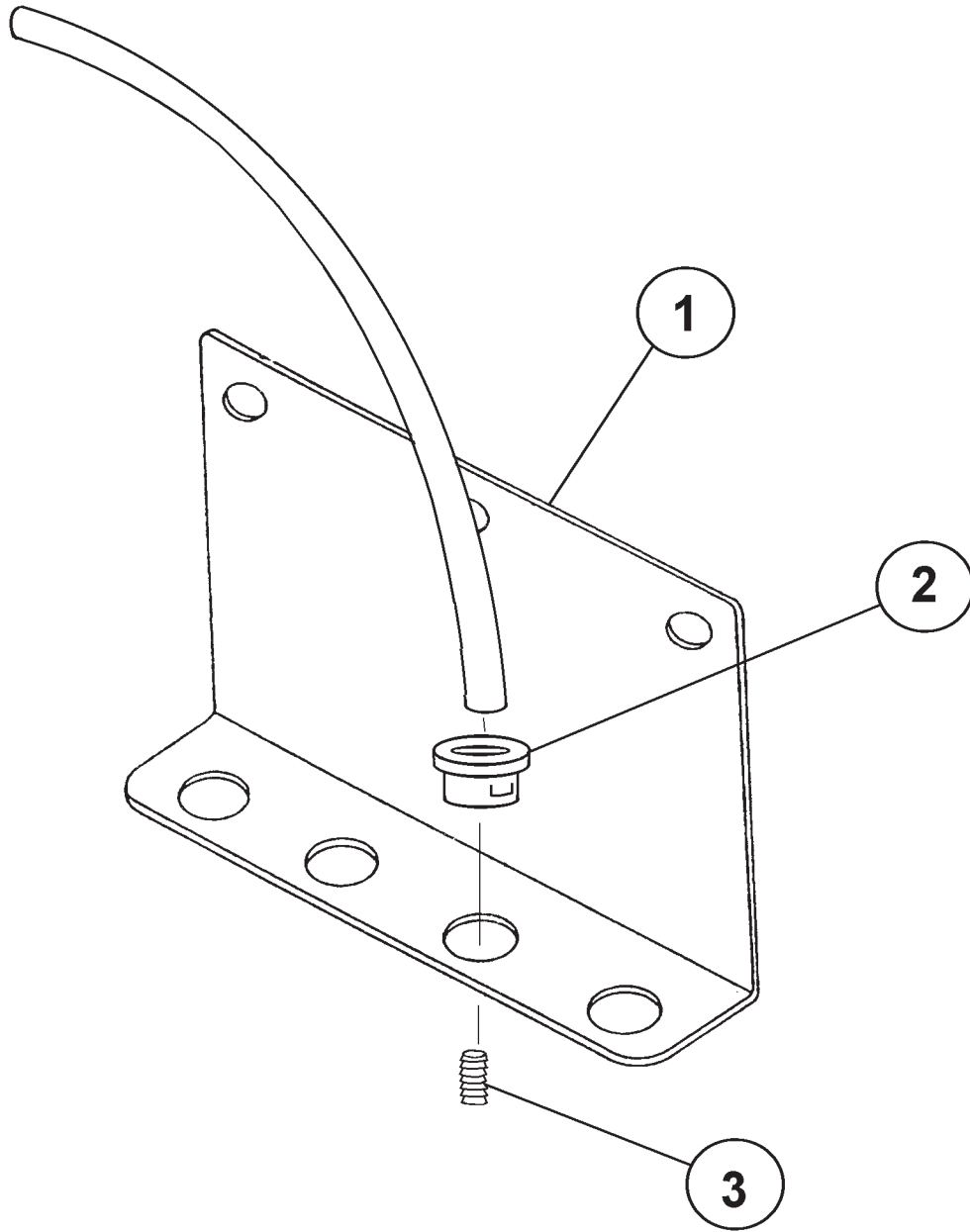
Control System Assembly  
 ETAF / ETAF-3 / ETAF-M

**American Dish Service**

Ref. No.	Part No.	No. Req.	Description
32	091-3008	1	Master Switch
33	291-7101	1	Indicator Run Light
34	091-3067	3	Switch, Push Button (Operator Only)
35	091-3065	3	Switch, Contact Block
36	086-6189	1	Switch Box Bottom
37	092-2000	2	Squeeze Tube, Norprene (Sold by the Foot)
38	099-1008	1	Ball, Flow Indicator
39	099-1008	1	Ball, Flow Indicator
40	084-6408	1	Flow Indicator Housing
41	098-1106	2	Screw, 6-32 x 1 1/8", PH, SS
42	098-1606	4	Hose Clamp
43	092-1146	4	Hose Barb, 1/4" x 3/16"
44	098-2101	2	Nut, 6-32, HH, SS
45	093-1046	1	Chemical Tube, Red (Sold by the Foot)
46	093-1045	1	Chemical Tube, Green (Sold by the Foot)
47	091-5025	1	Wire Harness
48	091-3003	1	Instant Start Relay
N/S	089-9282	1	Decal Set, ET-AF Skirt
N/S	089-9238	1	Decal, NSF Specifications
N/S	091-3070	1	Switch, Door Cut-Off
N/S	091-4139	1	Conduit Fitting, 3/4", Straight
N/S	091-4141	5	Conduit Fitting, 1/2", Straight
N/S	091-4142	1	Conduit Fitting, 1/2" Elbow
N/S	089-9296	Opt.	Decal, NSF, ETAF-M (All Time Cycles)
N/S	089-9297	Opt.	Decal, NSF, ETAF-3 (All Time Cycles)



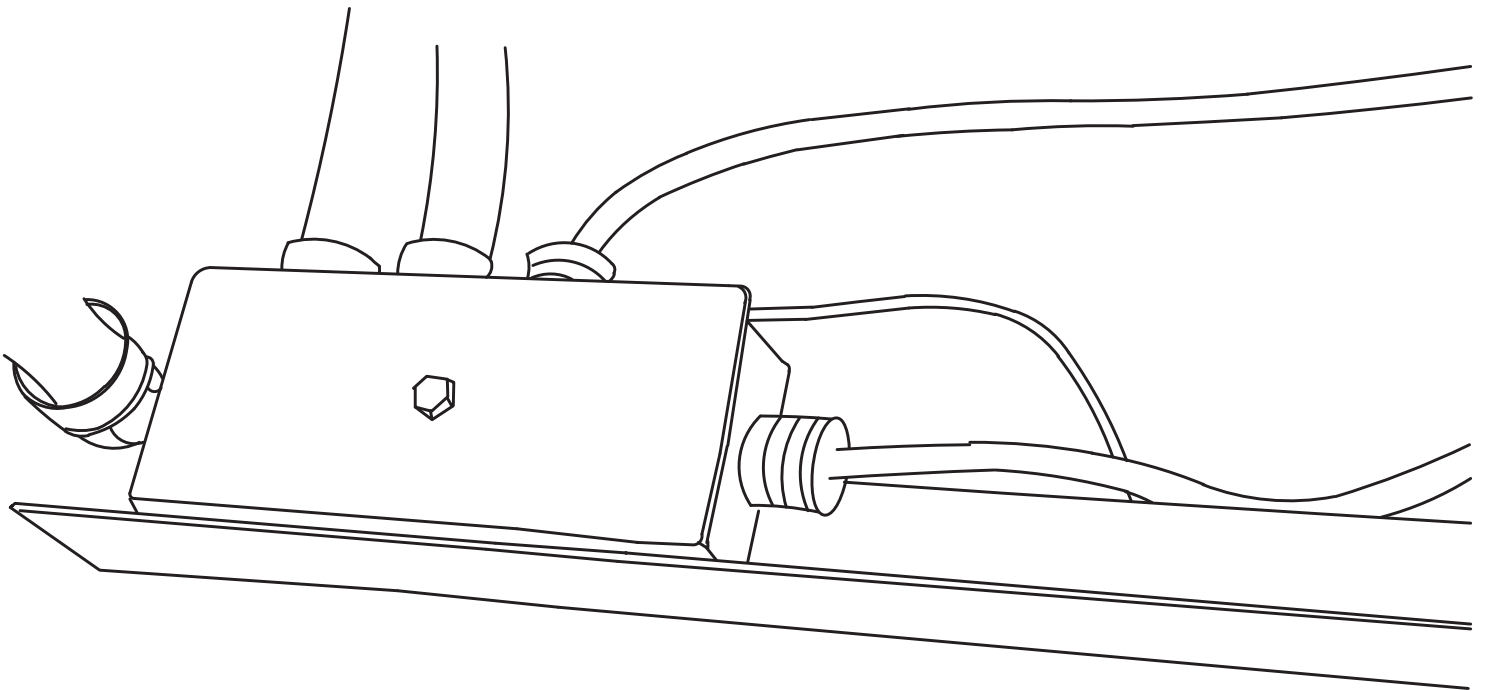






064-0030  
Conduit Assembly  
ETAF / ETAF-3 / ETAF-M

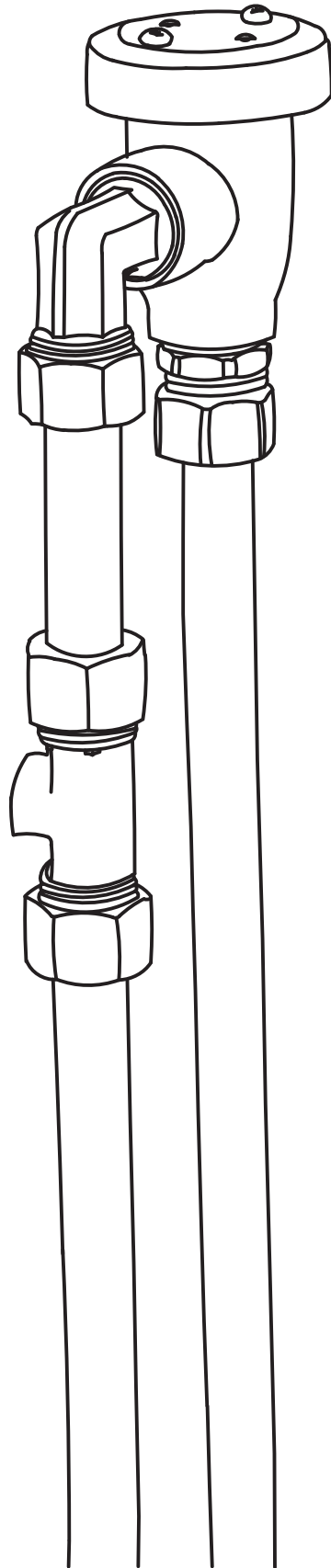
***American Dish Service***





065-1600 Plumbing Assembly  
ETAF / ETAF-M  
065-1800 Plumbing assembly  
ETAF-3

***American Dish Service***





065-1600 Plumbing Assembly

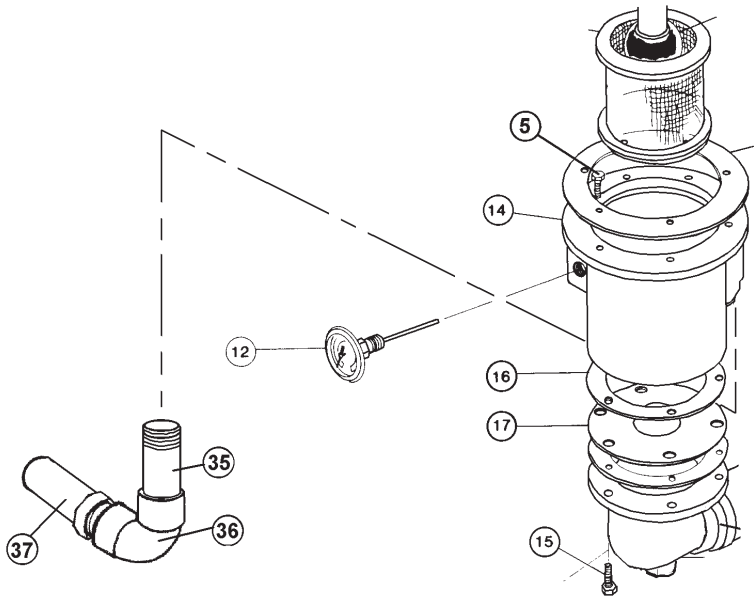
ETAF / ETAF-M

065-1800 Plumbing assembly

ETAF-3

## American Dish Service

Ref. No.	Part No.	No. Req.	Description
1	092-5045	1	Vacuum Breaker Valve, Watts
2	085-6516	1	Vacuum Breaker Outlet Pipe ETAF/ETAF-M
	085-6518	Opt.	Vacuum Breaker Outlet Pipe ETAF-3
3	085-6515	1	Vacuum Breaker Inlet Pipe ETAF/ETAF-M
	085-6517	Opt.	Vacuum Breaker Inlet Pipe ETAF-3
4	092-1101	1	Fitting, 5/8" Comp x 5/8" Comp 90° Elbow
5	092-1058	3	Fitting, 5/8" Comp x 1/2" MPT
6	092-5027	1	Strataflow Checkvalve
7	092-3116	1	Fresh Water Supply Tube, 1/2" x 9"
8	092-1006	3	Fitting, Elbow, 1/2" FPT x 1/2" MPT, 90 °
9	092-5054	1	Shut-Off Valve
10	092-1008	2	Nipple, 1/2" Close
11	092-9001	1	Line strainer
12	092-5015	1	Solenoid Valve
13	094-1040	1	Fresh Water Supply Tube, 5/8" x 10 1/2 "
14	091-4144	1	1/2" Conduit Locknut
15	092-1063	1	Fitting, 5/8" Comp. x 1/2" FPT
16	092-9002	0	Screen (Replacement)
17	092-1100	2	Fitting, Elbow, 5/8" Comp. x 1/2" MPT 90 °.
18	098-9026	1	U-Bolt, 1/4-20, SS
19	098-2507	2	Locknut, 1/4-20, SS
20	098-2404	2	Washer, 1/4", SS
21	086-6170	1	Mounting Plate, Plumbing, ETAF
22	094-1010	1	Water Supply Tube, 5/8" x 10 1/2"
23	092-1062	1	Fitting, 1/2" MPT x 1/2" Comp, 90° Elbow, Brass
Rep	092-5049	0	Cap Watts Vacuum Breaker, 1/2" (Replacement)
Rep	092-5047	0	1/2" Watts Vacuum Breaker Repair Kit
Rep	092-5051	0	Bonnet & Stem, Watts Vacuum Breaker, 1/2"
Rep	092-5016	0	Solenoid Valve Repair Kit (Replacement)
Rep	092-5025	0	Solenoid Valve Body (Replacement)
Rep	092-5017	0	Solenoid Valve Coil (Replacement)
			<b>LOS ANGELES OPTION</b>
N/S	092-1102	1	Fitting, 5/8" Comp. X 5/8" Comp. X 3/8" Comp. Tee
N/S	092-1104	1	Locknut, 3/8" Comp.
N/S	089-6304	1	Gasket, L.A. Plumbing
N/S	086-6825	1	Bracket, Spray Deflector, L.A. Plumbing

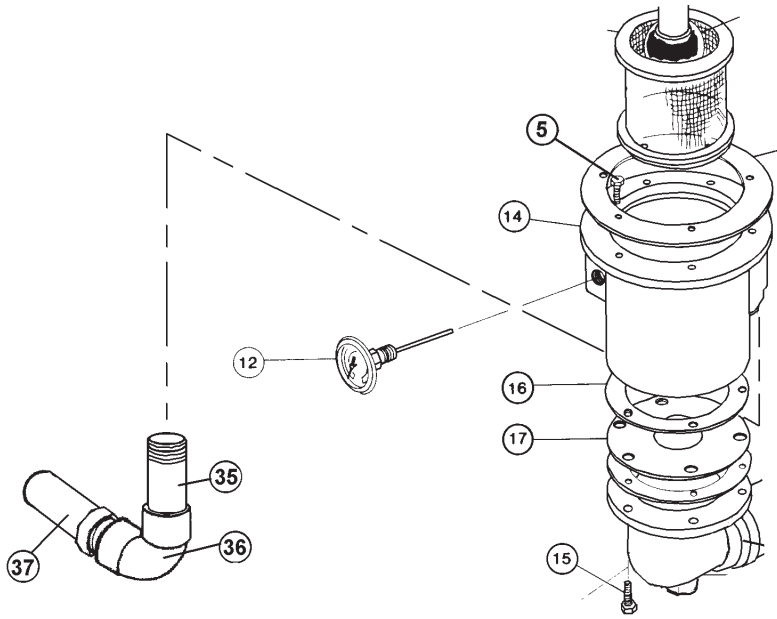


066-1400

Drain System Assembly  
ETAF / ETAF-3 / ETAF-M

**American Dish Service**

Ref. No.	Part No.	No. Req.	Description
1	092-1112	1	Hose Barb Fitting, 3/4" MPT x 1"
2	083-6449	1	Tubing, 1 1/8" OD x 1" ID x 6" Lg., Vinyl
3	092-1061	1	Fitting, 3/4" FPT x 3/4" MPT, 45° St. Elbow
4	098-2308	1	Wing Locknut, 1/4-20, SS, Nylon
5	098-1423	6	Bolt, HH, SS, 1/4-20 x 1/2"
6	084-6610	1	Drain Tube
7	083-6601	1	Drain Ball
8	098-9014	1	O-Ring, 1/4", Flat
9	086-6307	1	Push Rod
10	085-6611	1	Drain Shaft Weldment
11	098-2404	4	Washer, SS, 1/4"
12	099-1001	1	Temperature Gauge
13	089-6601	1	Sump Gasket
14	082-6603	1	Sump Assembly Without Tail Piece
15	098-1507	6	Bolt, HH, SS, 5/16-18 x 7/8"
16	089-6602	2	Drain Elbow Gasket
17	086-6601	1	Drain Seat
18	082-6603	1	Drain Elbow
19	098-2507	5	Locknut, 1/4-20, SS
20	085-6610	1	Drain Solenoid Link
21	085-6602	1	Sump Screen
22	085-6614	1	Solenoid Box Lid
23	086-6606	1	Washer Small Slotted
24	098-3007	1	Spring, Solenoid
25	098-1205	1	Bolt, RH, 8-32 x 5/8"
26	098-2201	1	Locknut, 8-32
27	085-6613	1	Solenoid Box
28	086-6607	1	Washer, Large Slotted
29	091-2001	1	Drain Solenoid
30	098-1423	1	Bolt, 1/4-20 x 1/2", HH, SS
31	098-2301	4	Locknut, 10-32
32	098-9024	2	1" Hose Clamp
33	092-6026	1	Fitting, 1 1/2" x 1 1/2" x 3/4" Tee, Brass
34	092-1074	1	Fitting, 3/4" MPT 90° Street Elbow





# ***American Dish Service***

*Manufacturer of low and high temperature  
Commercial Dishwashers and Glasswashers*

900 Blake Street  
Edwardsville, Kansas 66111  
Ph:(913) 422-3700  
Fax:(913) 422-6630