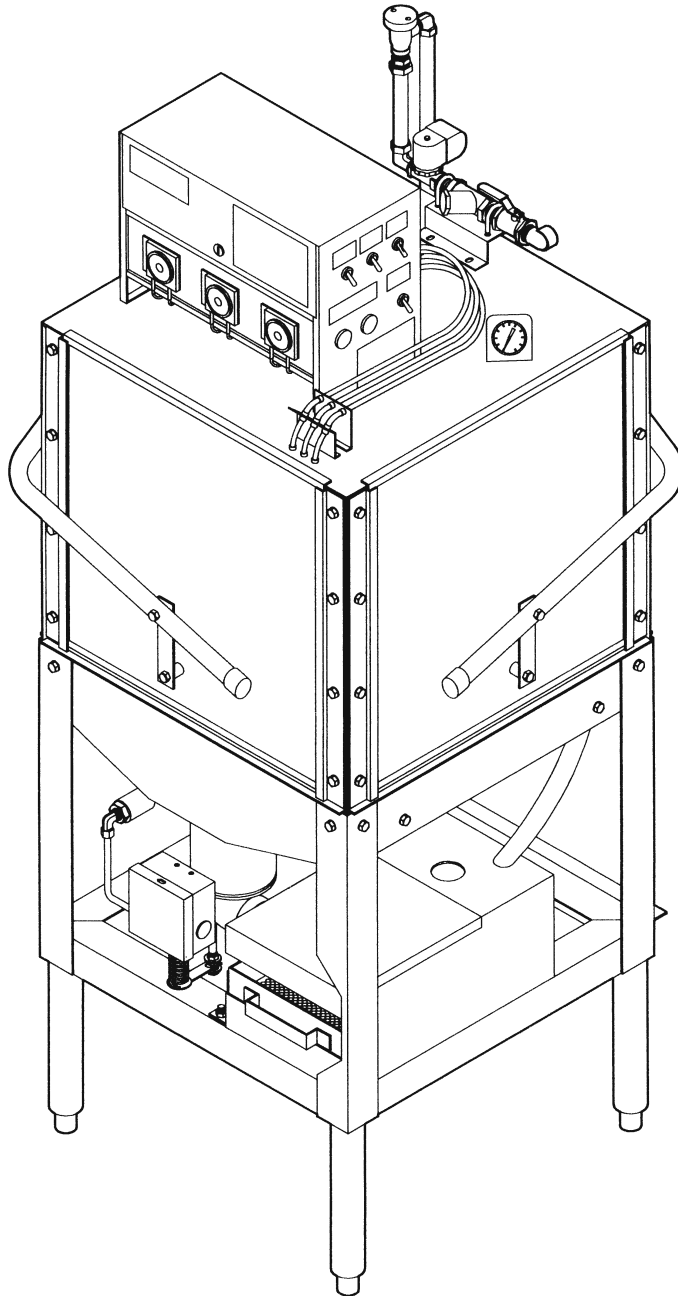


EFFECTIVE: MAY, 2008

American Dish Service

ADS LOW-WATER DISHWASHER

MODELS: L3DW / L3DWC



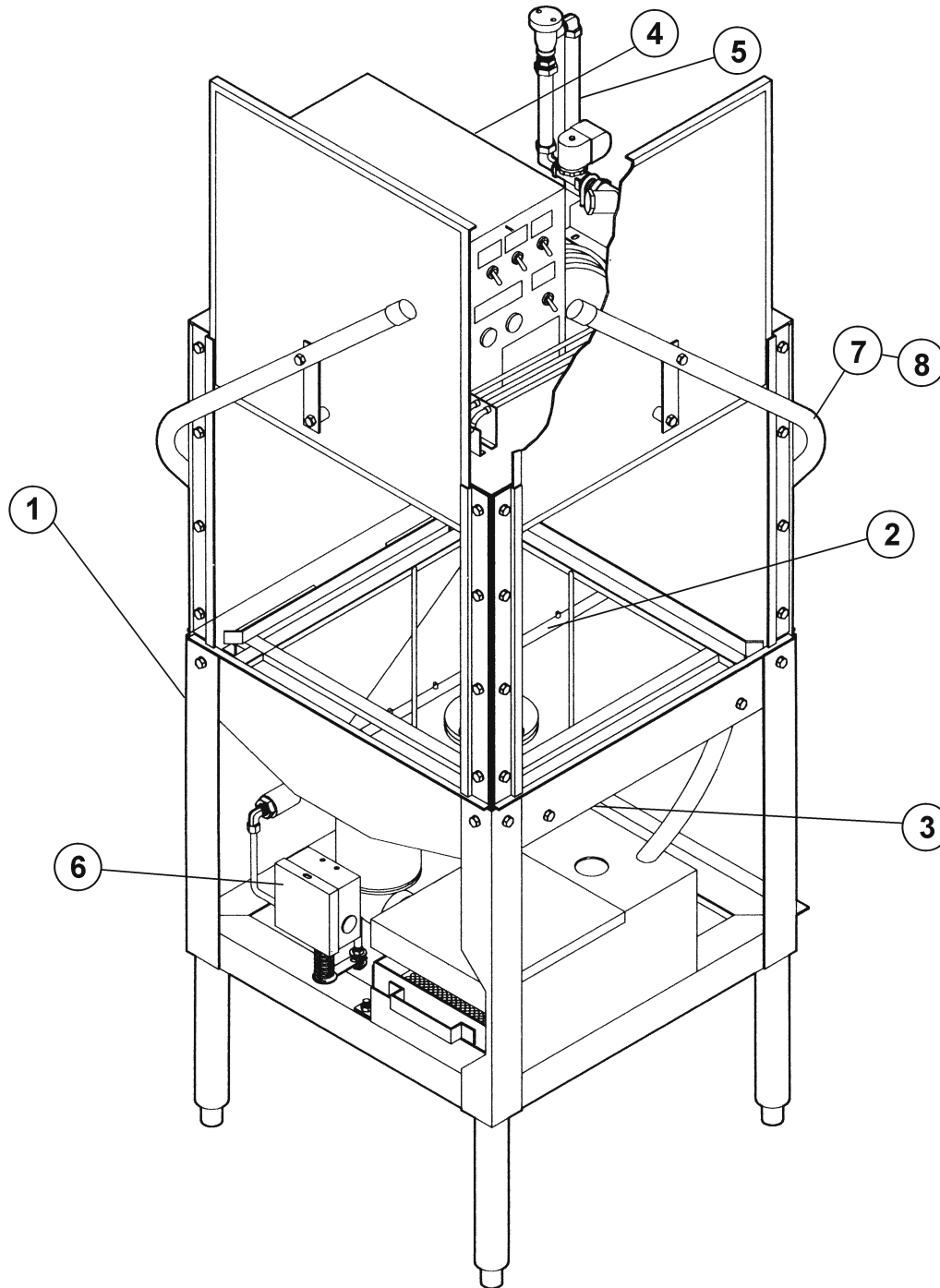
PARTS MANUAL

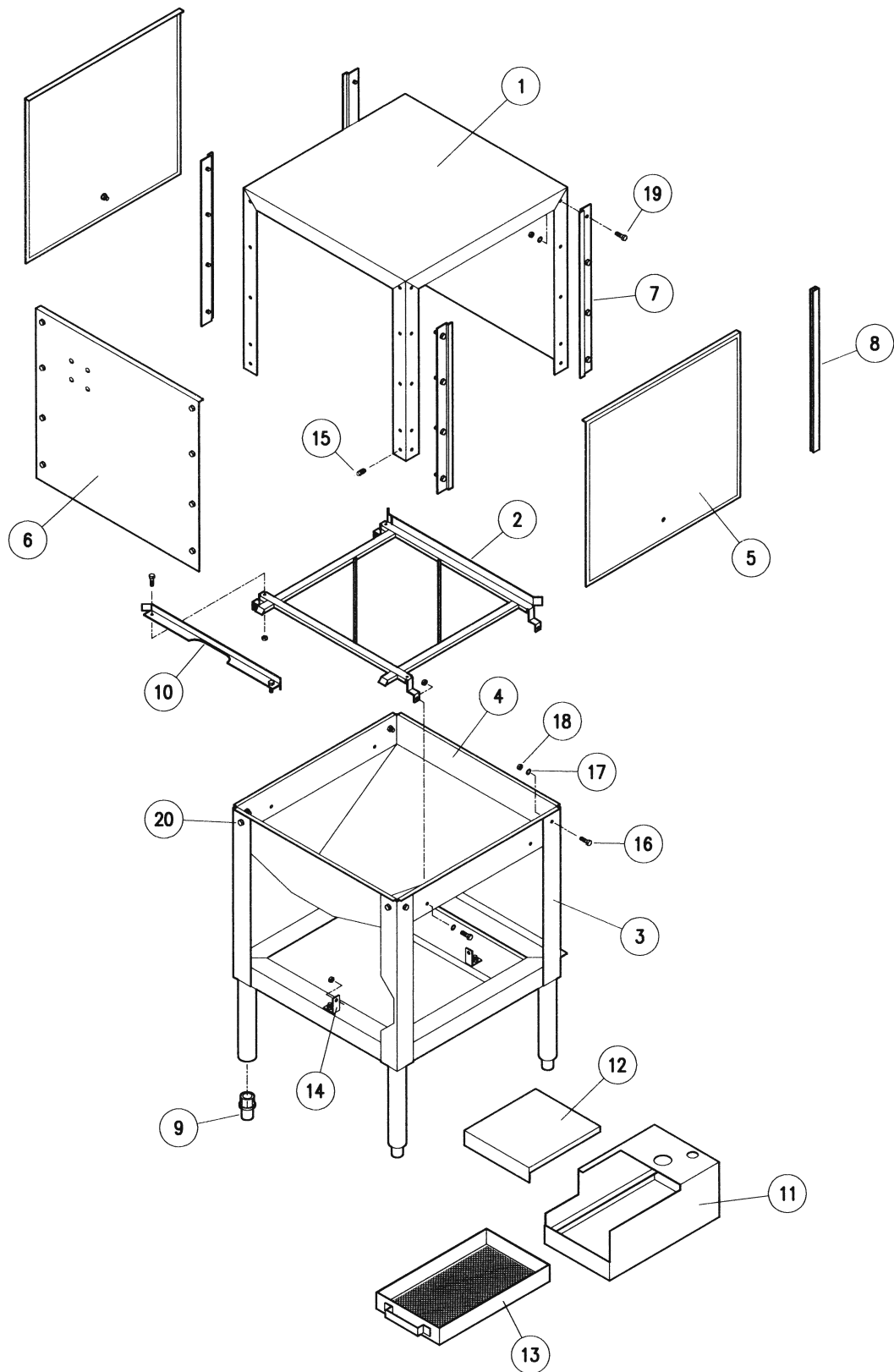
900 Blake Street
Edwardsville, Kansas 66111
(913)422-3700

021-0090 / 022-0090

Models:
L3DW / L3DWC

American Dish Service

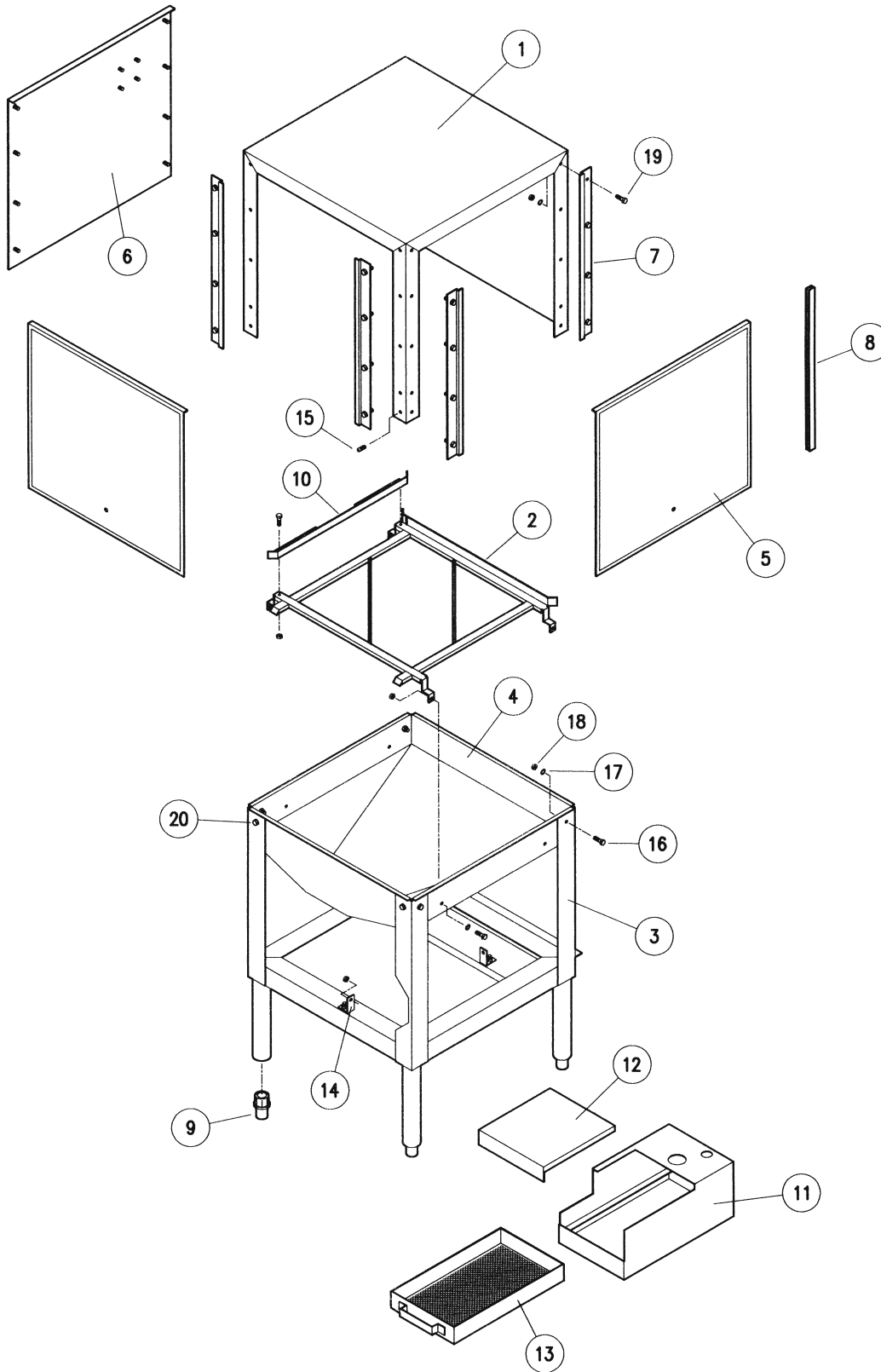




061-1200
Cabinet Assembly
L3DW

American Dish Service

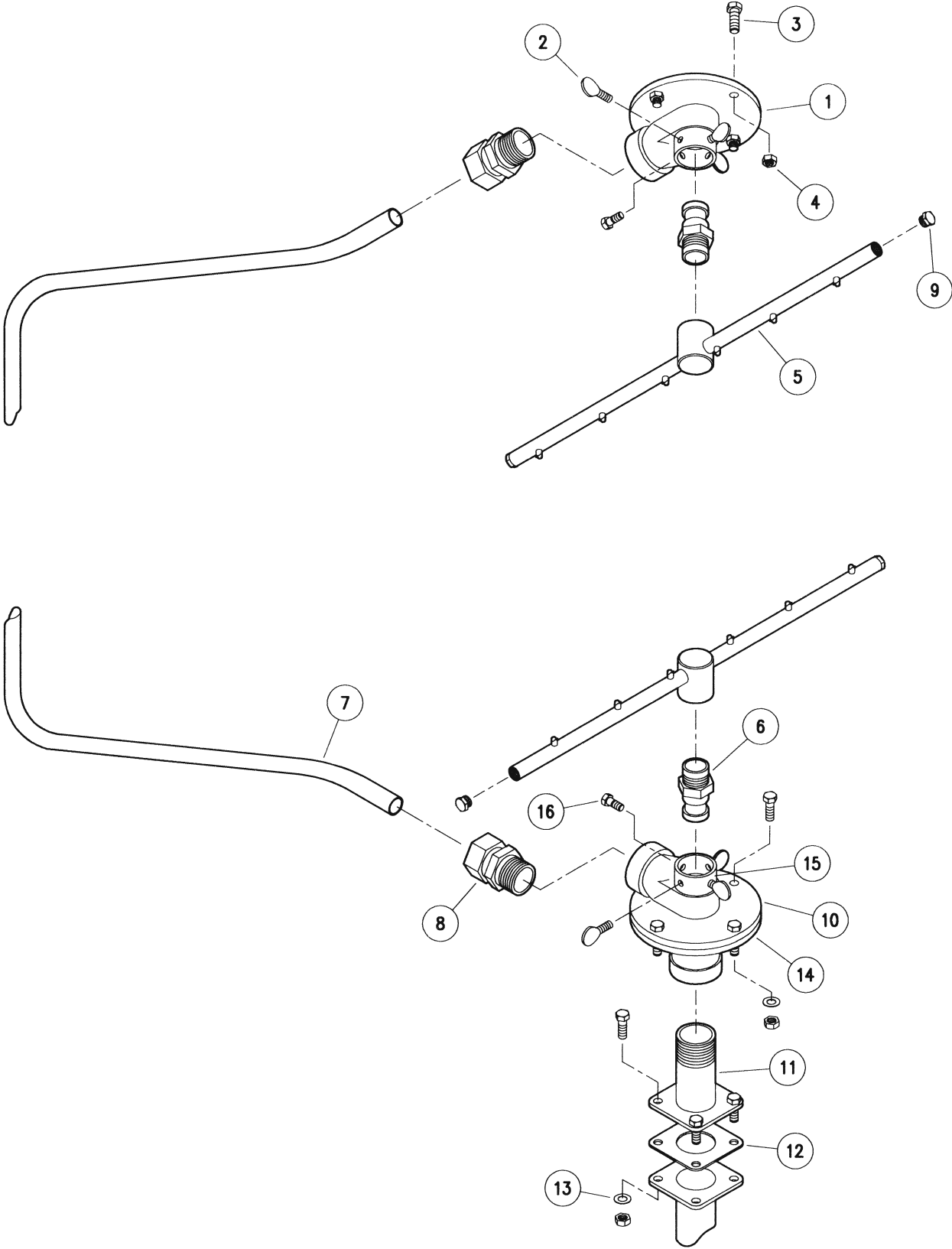
Ref. No.	Part No.	No. Req.	Description
1	085-6152	1	Hood Weldment
2	085-6146	1	Tray Track Weldment
3	085-6153	1	Frame Weldment
4	085-6154	1	Pan Weldment
5	087-6106	2	Door
6	087-6109	1	Door, Dummy
7	087-6110	4	Door Guide
8	083-6104	4	Door Strip, Nylatron
9	099-1003	4	Bullet Feet
10	086-6639	1	Tray Track Conversion Bar
11	089-9179	1	Scrap Accumulator
12	089-9182	1	Scrap Accumulator Cover
13	089-9195	1	Scrap Accumulator Tray
14	286-6178	2	Bracket
15	384-6118	2	Bushing (Dowel 1/2")
16	098-1423	16	Bolt, 1/4-20 x 1/2" HH SS
17	098-2404	42	Washer, SS, 1/4"
18	098-2507	48	Locknut 1/4-20 SS
19	098-1414	28	Bolt, 1/4-20 x 1/2" Truss Head SS
20	098-1420	2	Bolt, 1/4-20 x 1 1/4" Truss Head SS
N/S	092-1112	1	Fitting, 3/4" MPT x 1" Hose Barb (Overflow)
N/S	092-1061	1	Fitting, 3/4" 45° Street Elbow (Overflow)
N/S	098-9024	1	Clamp, Hose (Overflow)
N/S	083-6448	1	Hose, 1 1/4" OD x 1" ID x 12" Lg. Vinyl (Overflow)
N/S	292-1028	1	No-Hub Connector, 2" Pipe to Pipe
N/S	086-6103	3	Clamp, Single
N/S	091-4146	4	Clamp, Conduit

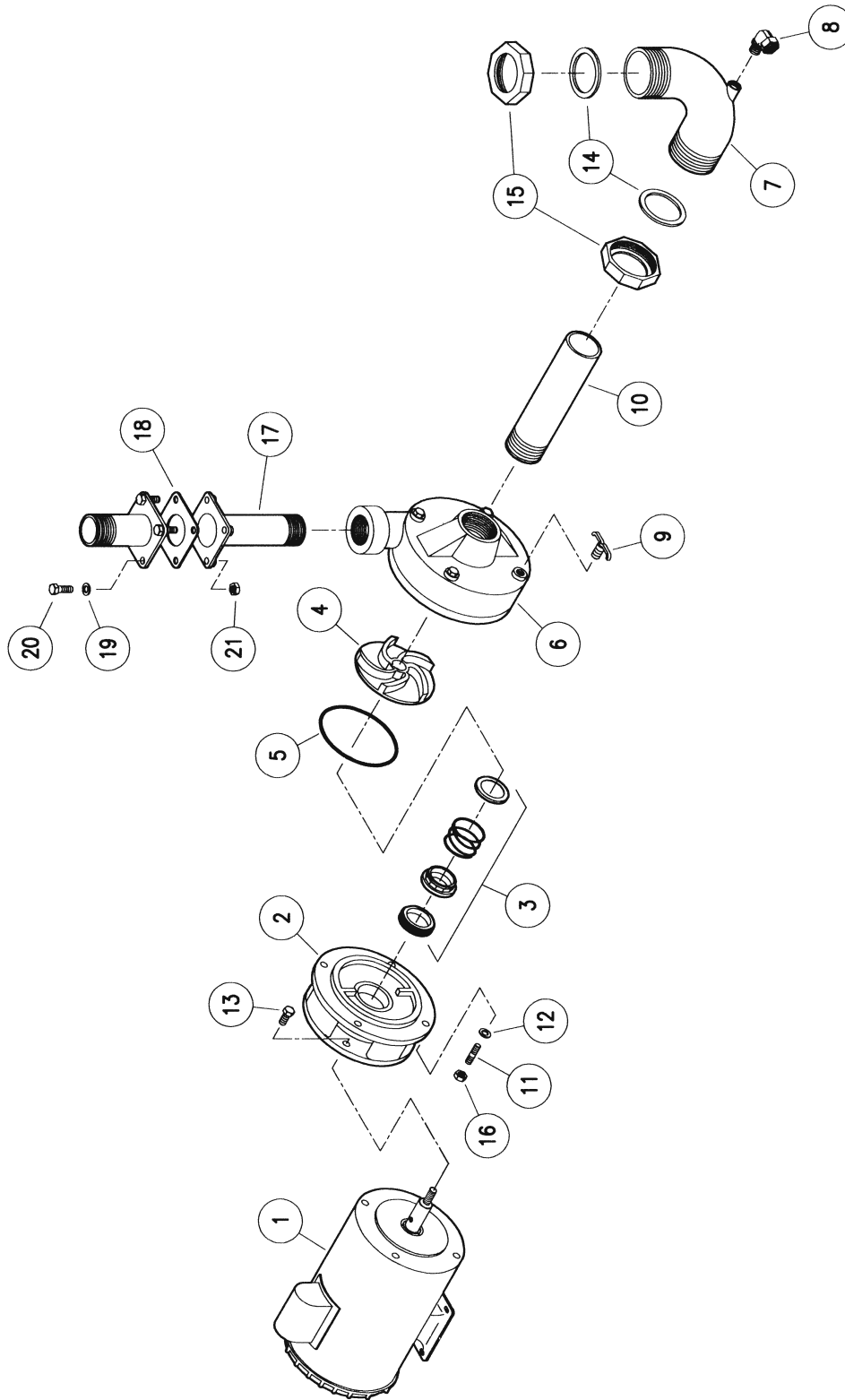


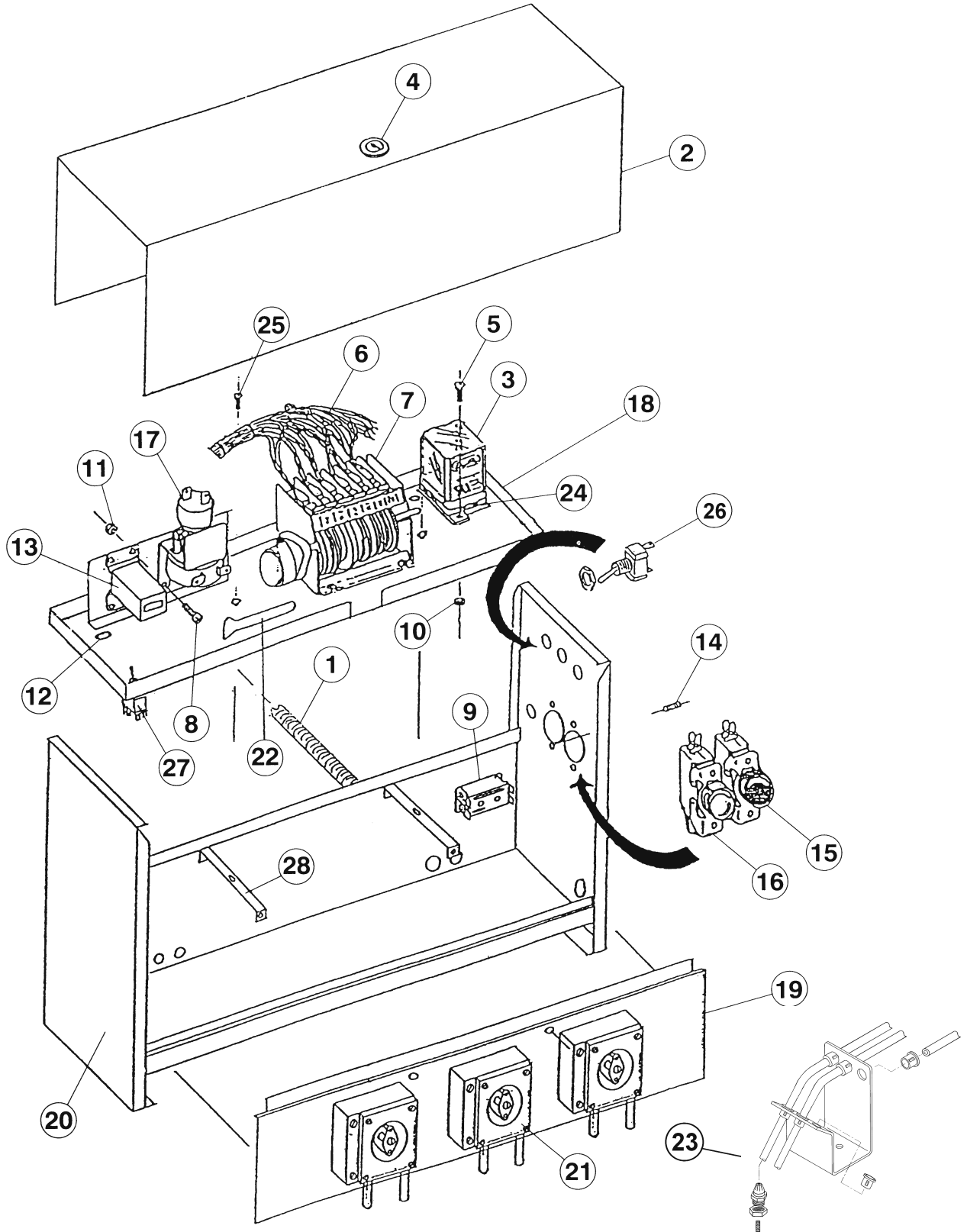
061-1200
Cabinet Assembly
L3DWC

American Dish Service

Ref. No.	Part No.	No. Req.	Description
1	085-6152	1	Hood Weldment
2	085-6146	1	Tray Track Weldment
3	085-6153	1	Frame Weldment
4	085-6154	1	Pan Weldment
5	087-6106	2	Door
6	087-6109	1	Door, Dummy
7	087-6110	4	Door Guide
8	083-6104	4	Door Strip, Nylatron
9	099-1003	4	Bullet Feet
10	086-6639	1	Tray Track Conversion Bar
11	089-9179	1	Scrap Accumulator
12	089-9182	1	Scrap Accumulator Cover
13	089-9195	1	Scrap Accumulator Tray
14	286-6178	2	Bracket
15	384-6718	2	Bushing (Dowel 1/2")
16	098-1423	16	Bolt, 1/4-20 x 1/2" HH SS
17	098-2404	42	Washer, SS, 1/4"
18	098-2507	48	Locknut 1/4-20 SS
19	098-1414	28	Bolt, 1/4-20 x 1/2" Truss Head SS
20	098-1420	2	Bolt, 1/4-20 x 1 1/4" Truss Head SS
N/S	092-1112	1	Fitting, 3/4" MPT x 1" Hose Barb (Overflow)
N/S	092-1061	1	Fitting, 3/4" 45° Street Elbow (Overflow)
N/S	098-9024	1	Clamp, Hose (Overflow)
N/S	083-6448	1	Hose, 1 1/4" OD x 1" ID x 12" Lg. Vinyl (Overflow)
N/S	292-1028	1	No-Hub Connector, 2" Pipe to Pipe
N/S	086-6103	3	Clamp, Single
N/S	091-4146	4	Clamp, Conduit



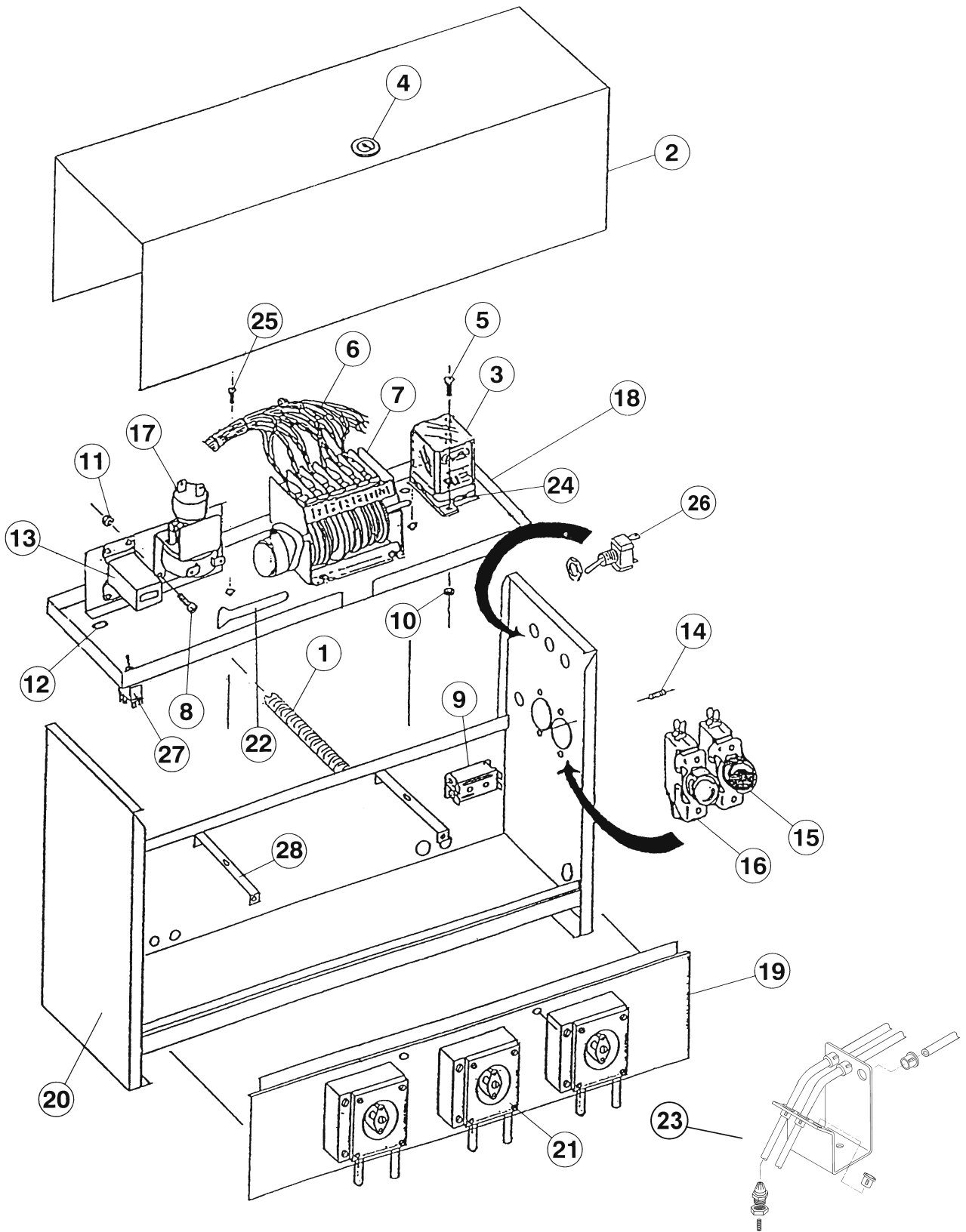


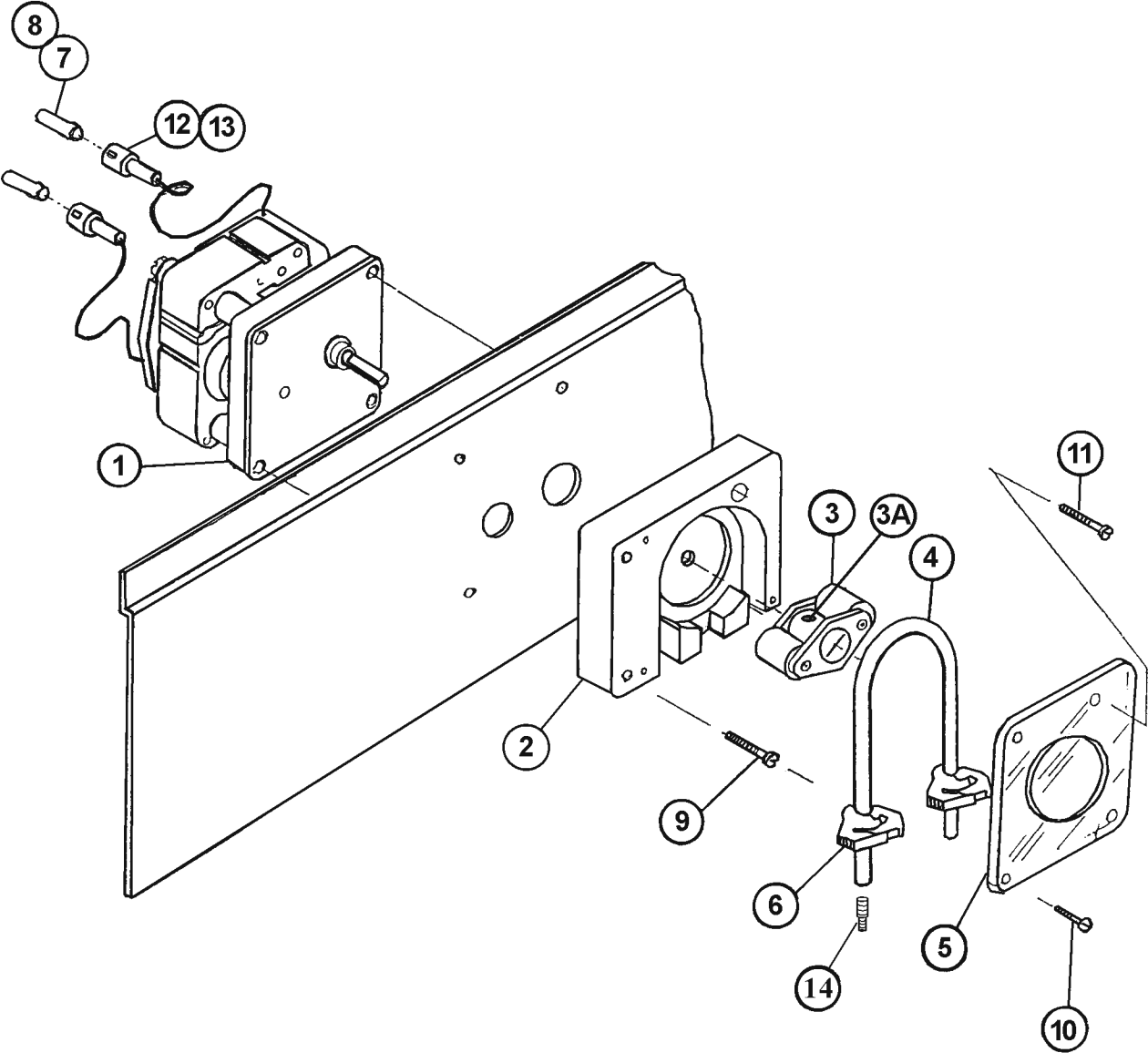


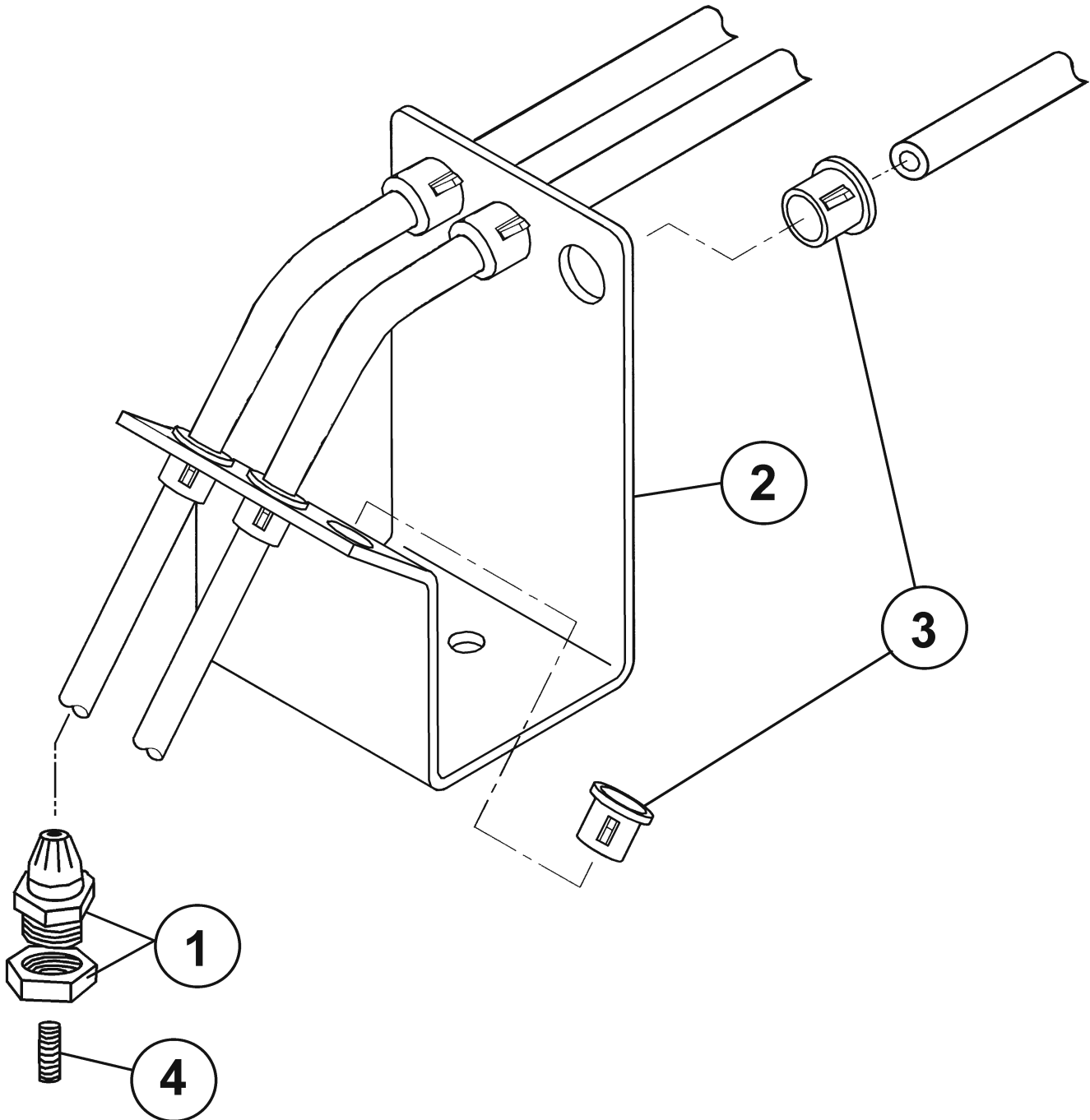
064-2200

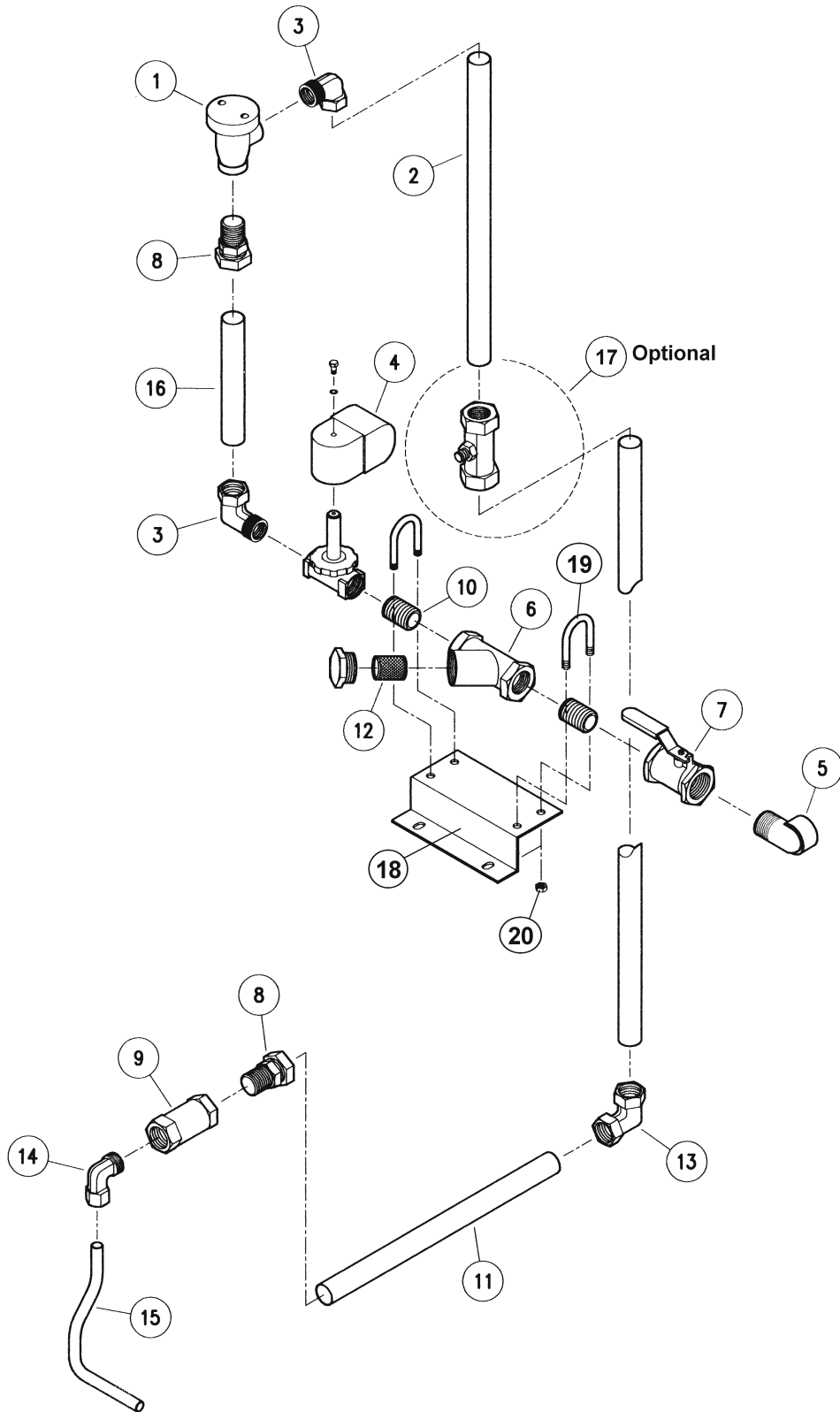
Control System Assembly
L3DW/L3DWC**American Dish Service**

Ref. No.	Part No.	No. Req.	Description
1	091-5156	1	Conduit, ½" (Sold by the Foot)
2	087-6404	1	Control Box Cover
3	091-3003	1	Instant Start Relay (Not Included with Auto Start Machines)
4	096-1002	1	Control Box Lock
5	098-1104	2	Bolt 6-32 x ½" RH SS
6	091-5026	1	Wire Harness
7	091-3073	1	Timer, 90 Second
N/S	091-3072	Opt.	Timer, 72 Second
N/S	091-3071	Opt.	Timer, 60 Second
8	098-1204	6	Bolt 8-32 x ½" RH SS
9	091-3008	1	Switch, DPST (Master Switch)
10	098-2201	6	Locknut 8-32, SS
11	098-2101	2	Nut 6-32 SS
12	091-4006	2	Grommet 9/16
13	091-3049	1	Counter, Electric
14	098-1102	4	Bolt 6-32 x ¼" RH SS
15	091-3001	1	Push-Button Switch, Black Fill
16	091-3002	1	Push-Button Switch, Red Start
17	091-3007	1	Motor Relay (Mercury Relay)
18	086-6534	1	Upper Shelf, Control Box
19	087-6425	1	Pump Panel, Control Box
20	081-6415	1	Control Box Assembly
21	064-0010	3	Chemical Pump Assembly (Peristaltic)
22	099-1004	1	Timer Adjustment Key
23	064-0028	1	Chemical Feeder Assembly
24	091-3011	1	Relay Socket, Instant Start
25	098-1304	6	Bolt 10-32 x 5/8" RH SS
26	091-3009	4	Switch, SPST Momentary
27	091-3060	1	Switch, Service
28	086-6535	2	Shelf Support Bracket
N/S	089-9201	1	Decal, Wiring Diagram
N/S	089-9205	1	Decal, Clean Instruction, Inside Sump
N/S	089-9227	1	Decal, CAM Adjustment DWM
N/S	086-6166	1	Bracket, Door Cut-Off Switch







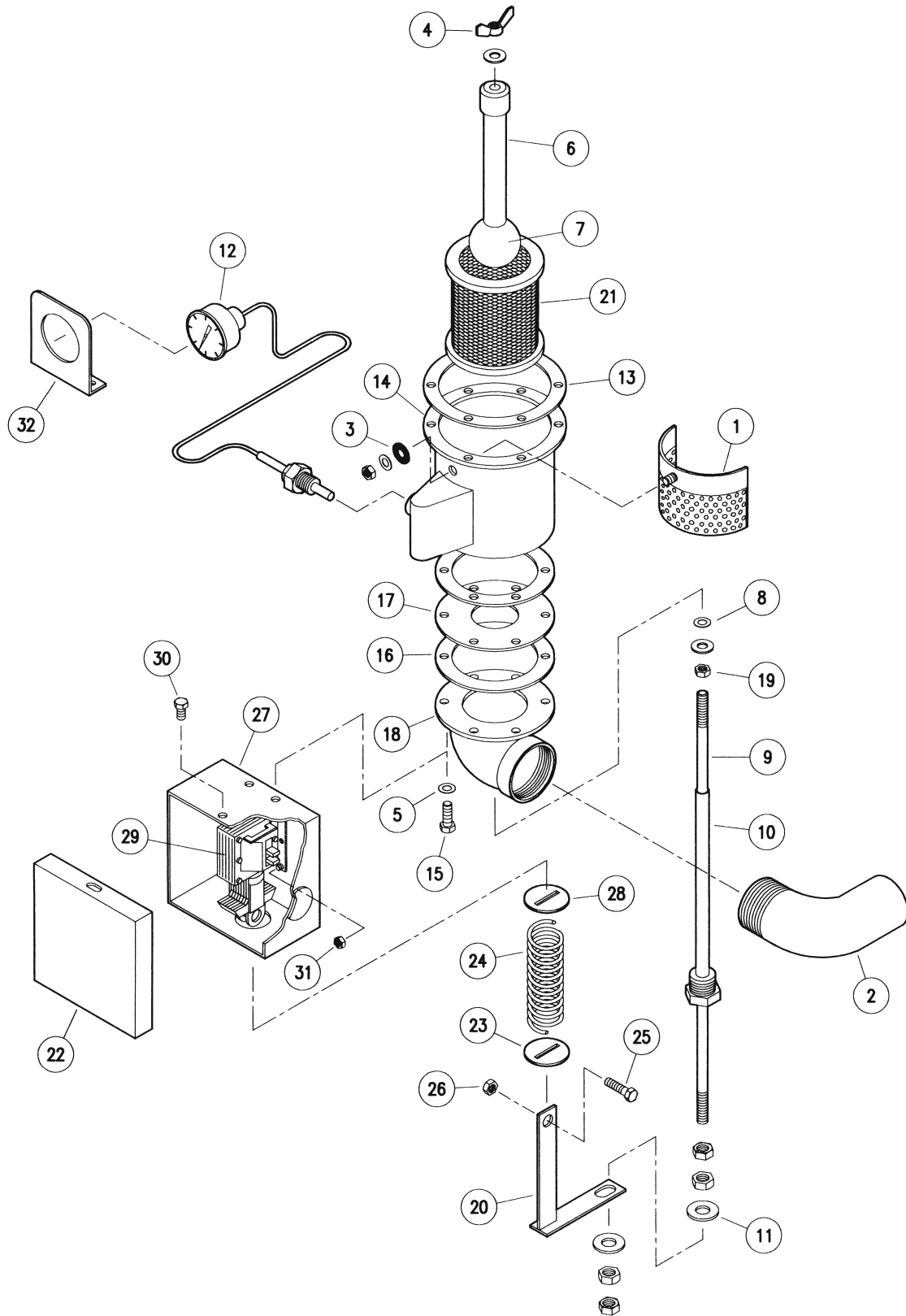


065-1400

Plumbing Assembly
L3DW/L3DWC

American Dish Service

Ref. No.	Part No.	No. Req.	Description
1	092-5045	1	Vacuum Breaker Valve, Watts
2	092-3110	1	Vacuum Breaker Outlet Pipe 40 ½"
3	092-1100	2	Fitting, 5/8" comp. X ½" mpt 90° Elbow
4	092-5015	1	Solenoid Valve
5	092-1006	1	Fitting, ½" Street Elbow
6	092-9001	1	Line Strainer
7	092-5054	1	Shut Off Valve
8	092-1058	2	Fitting, 5/8" comp. x ½" mpt
9	092-5027	1	Strata-Flow Check Valve
10	092-1008	2	Nipple, ½" Close
11	092-3111	1	Check Valve Supply Tube 17"
12	092-9002	0	Screen (Replacement)
13	092-1101	1	Fitting, 5/8" comp. X 5/8" comp. 90° Elbow
14	092-1062	1	Fitting, ½" comp. X ½" mpt 90° Elbow
15	092-3112	1	Fresh Water Supply Tube 11"
16	092-3113	1	Vacuum Breaker Inlet Pipe 5 ¾"
N/S	092-5025	0	Solenoid Valve Body (Replacement)
N/S	092-5017	0	Solenoid Valve Coil (Replacement)
N/S	092-5049	0	Cap Watts Vacuum BKR ½" (Replacement)
N/S	092-5047	0	½" Watts Vacuum Breaker Repair Kit
N/S	092-5051	0	Bonnet & Stem, Watts Vacuum Breaker ½"
N/S	092-5016	0	Solenoid Valve Repair Kit (Replacement)
18	086-6537	1	Bracket, Plumbing
19	098-9027	1	Bolt, ¼-20, U, SS
20	098-2507	2	Locknut, ¼-20, SS
			LOS ANGELES OPTION
17	092-1102	1	Fitting, 5/8" Comp x 5/8" Comp x 3/8" Comp Tee
N/S	092-1104	1	Locknut, 3/8" Comp
N/S	089-6304	1	Gasket, L.A. Plumbing
N/S	086-6825	1	Bracket, Spray Deflector, L.A. Plumbing



066-1000

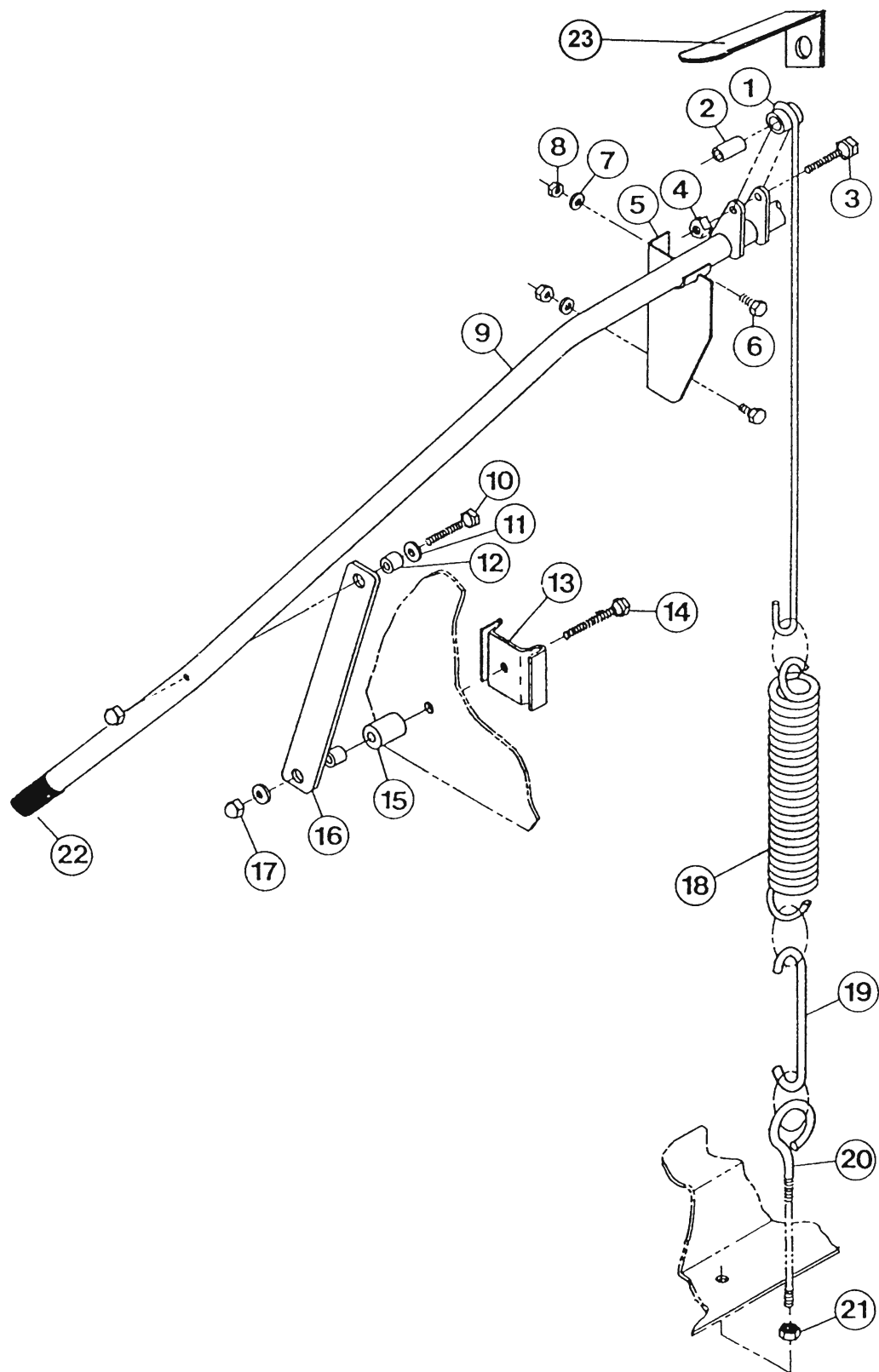
Drain System Assembly
L3DW/L3DWC

American Dish Service

Ref. No.	Part No.	No. Req.	Description
1	085-6160	1	Drain Screen Weldment, Secondary (to protect pump)
2	085-6165	1	Elbow Weldment, Drain to Scrap Trap
3	098-9028	1	Washer, Rubber (Reinforced)
4	098-2308	1	Locknut, Wing, 1/4-20, SS, Nylon
5	098-2507	2	Washer, Lock 5/16 SS
6	084-6610	1	Drain Tube, Inside Sump
7	083-6601	1	Drain Ball, 1 1/2"
8	098-9014	1	Washer, Rubber 1/4" ID, Flat
9	086-6307	1	Push Rod
10	085-6611	1	Drain Shaft Weldment
11	098-2404	5	Washer, 1/4" SS
12	299-1005	1	Temperature Gauge
13	089-6601	1	Sump Gasket
14	085-6156	1	Sump Assembly Weldment With Tailpiece
15	098-1507	6	Bolt, 5/16-18 x 7/8" HH SS
16	089-6602	2	Gasket, Drain Elbow
17	086-6601	1	Drain Seat
18	082-6602	1	Drain Elbow
19	098-2507	6	Locknut, 1/4-20 SS
20	085-6610	1	Drain Solenoid Link Weldment
21	085-6602	1	Sump Screen
22	085-6614	1	Cover Solenoid Box Weldment
23	086-6606	1	Washer, Small Slotted
24	098-3007	1	Spring, Solenoid
25	098-1205	1	Bolt, 8-32 x 5/8" RH SS
26	098-2201	1	Locknut, 8-32
27	085-6613	1	Box Weldment, Solenoid
28	086-6607	1	Washer, Large Slotted
29	091-2001	1	Drain Solenoid
30	098-1423	1	Bolt, 1/4-20 x 1/2" HH SS
31	098-2301	4	Locknut 10-32 SS
32	086-6139	1	Bracket, Temperature Gauge

067-0700
Lever Arm Assembly
L3DW

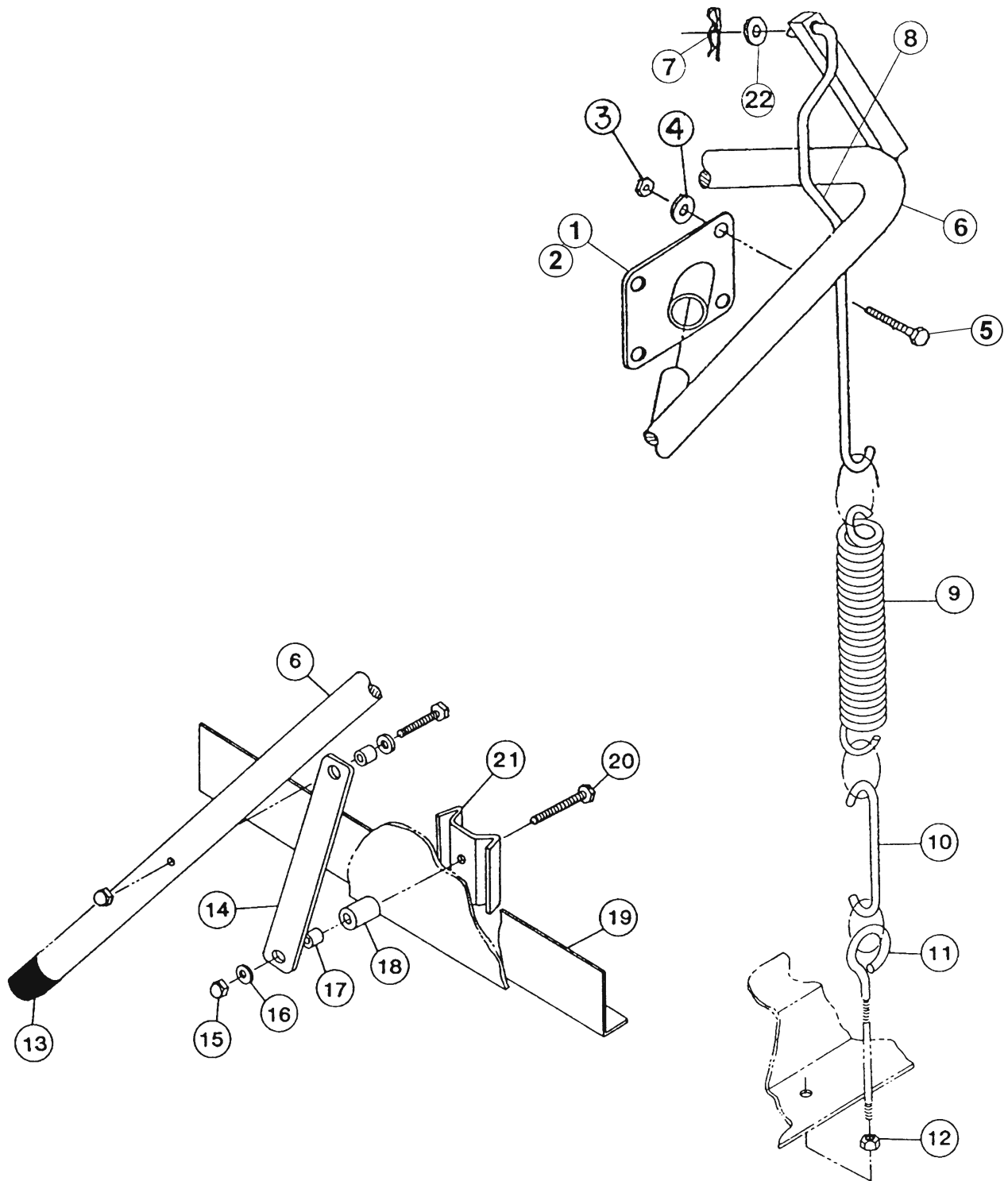
American Dish Service



067-0700
Lever Arm Assembly
L3DW

American Dish Service

Ref. No.	Part No.	No. Req.	Description
1	085-6701	2	Spring Extension Weldment
2	098-4002	2	Bushing, Bronze
3	098-1514	2	Bolt, 5/16-18 x 1 1/2", HH SS
4	098-2505	2	Nut, SS, 5/16-18
5	085-6703	1	Arm Support Bracket Weldment, Left
	085-6707	1	Arm Support Bracket Weldment, Right
6	098-1423	4	Bolt, HH, SS, 1/4-20 x 1/2
7	098-2404	4	Washer, 1/4, SS
8	098-2507	4	Locknut, 1/4-20, SS
9	085-6711	1	Door Operating Arm Weldment (Lever Arm)
10	098-1431	2	Bolt, 1/4-20 x 1 3/8, HH, SS
11	098-2404	6	Washer, 1/4, SS
12	084-6703	4	Bushing (Dowel 3/8)
13	086-6701	2	Door Stop
14	098-1432	2	Bolt, 1/4-20 x 1/34, HH, SS
15	084-6702	2	Spacer
16	086-6702	2	Door Link
17	098-2405	4	Cap Locknut, 1/4-20, SS
18	098-3003	2	Door Spring
19	086-6703	2	Spring Extension, Secondary
20	098-1581	2	Eye Bolt, 5/16-18 x 6"
21	098-2502	2	Nut, HH, SS, 5/16-18
22	099-1018	2	Lever Arm End Cap
23	086-6623	1	Lever Arm Cut-Off Bracket
N/S	098-2503	2	Washer, Copper, 5/16"
N/S	088-1036	Opt.	Kit, Lever Arm Conversion, Straight to Corner



American Dish Service

*Manufacturer of low and high temperature
Commercial Dishwashers and Glasswashers*

900 Blake Street
Edwardsville, Kansas 66111
Ph:(913) 422-3700
Fax:(913) 422-6630