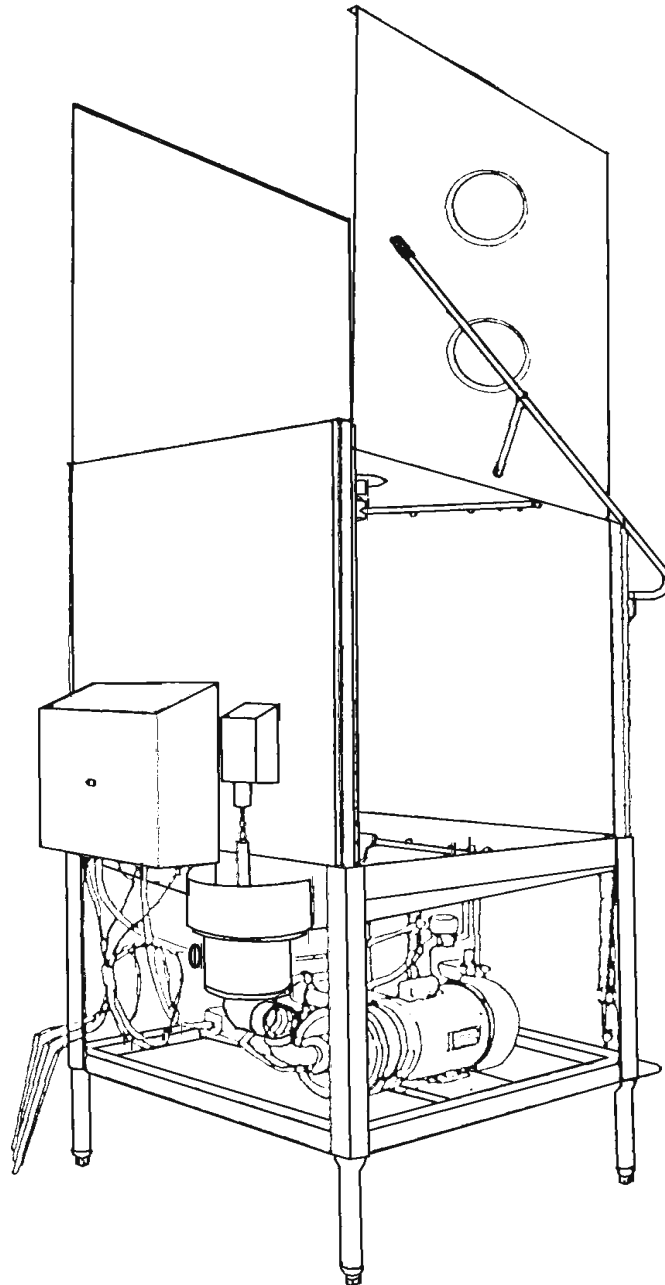


EFFECTIVE: MAY, 2008

# *American Dish Service*

ADS LOW TEMPERATURE DISHWASHER

**MODEL: AF-B A-B AH-B**

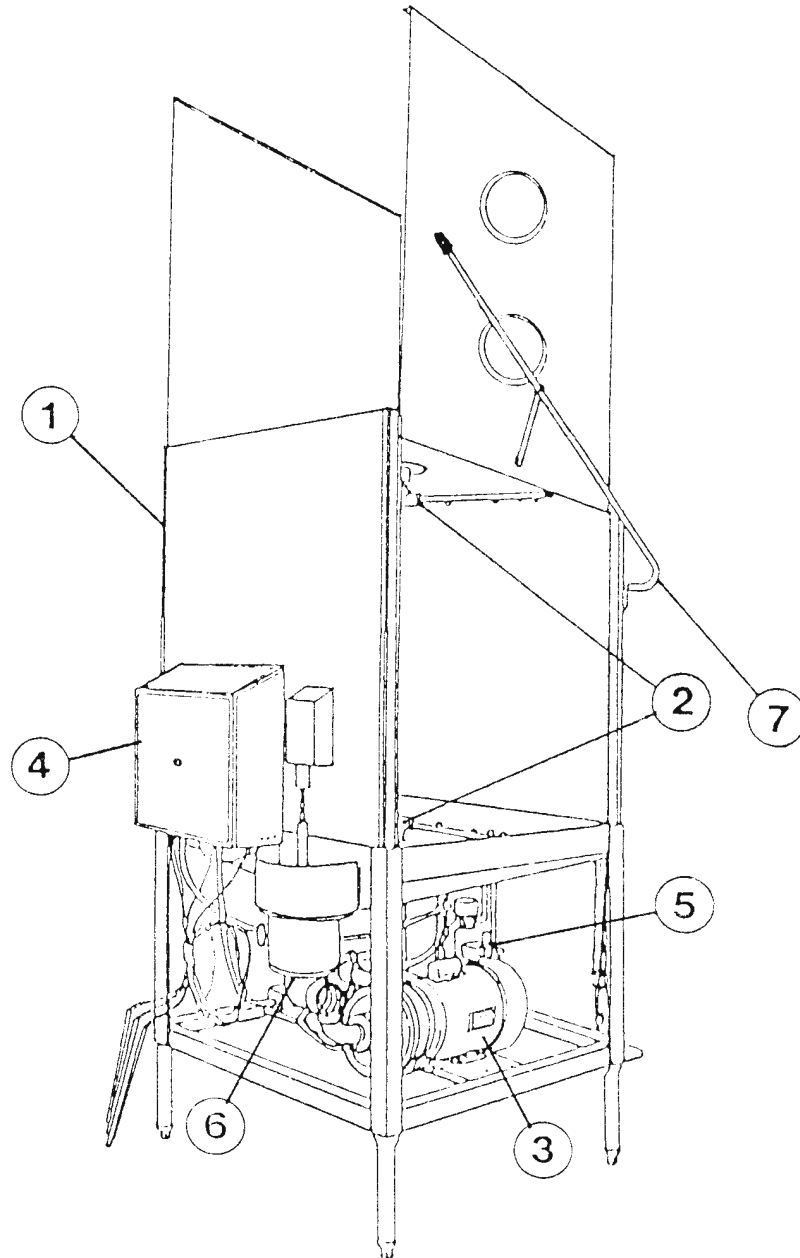


# **PARTS MANUAL**

900 Blake Street  
Edwardsville, Kansas 66111  
(913)422-3700

MODELS:  
016-0090  
AF-B

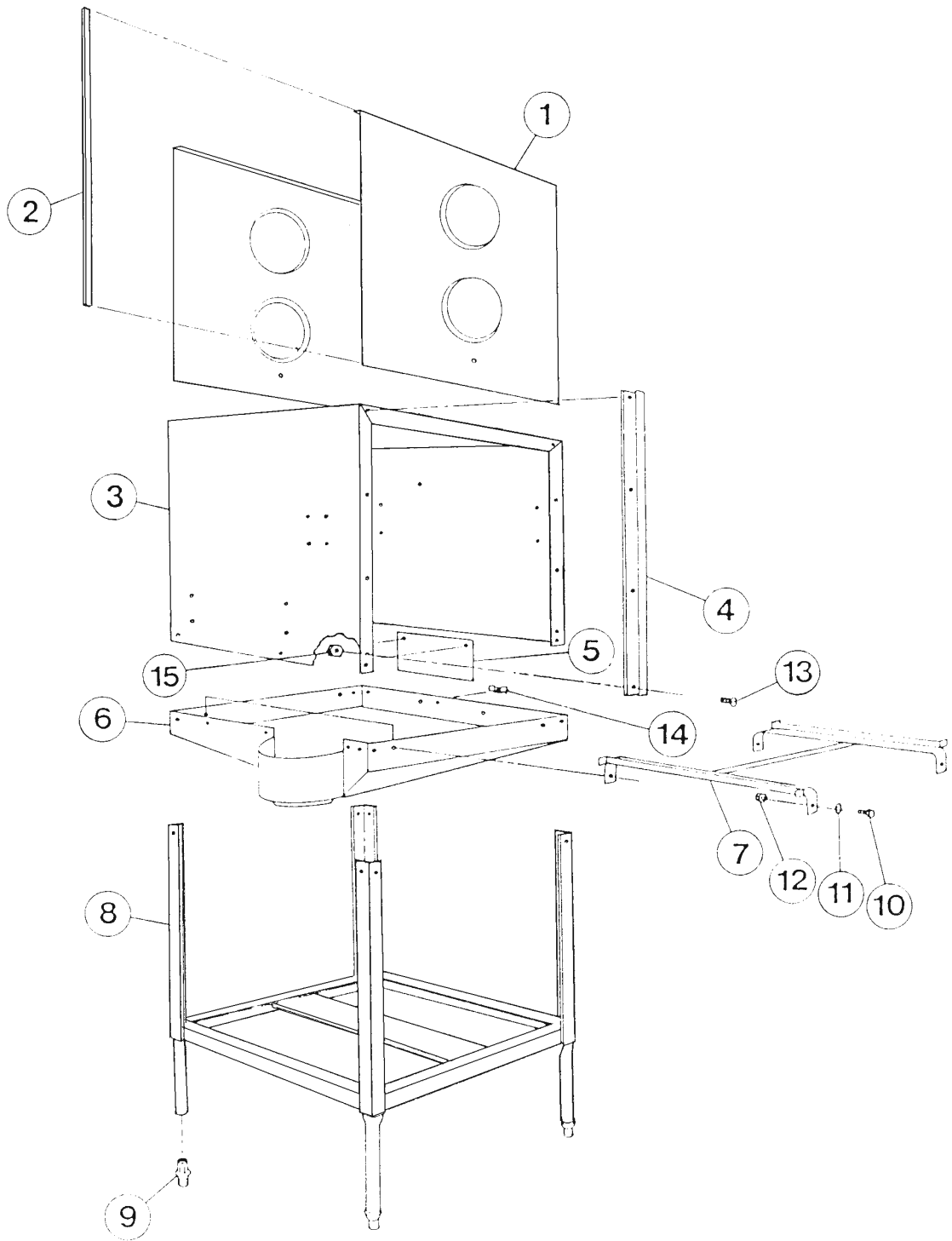
# American Dish Service



016-0090  
Model: AF-B

## *American Dish Service*

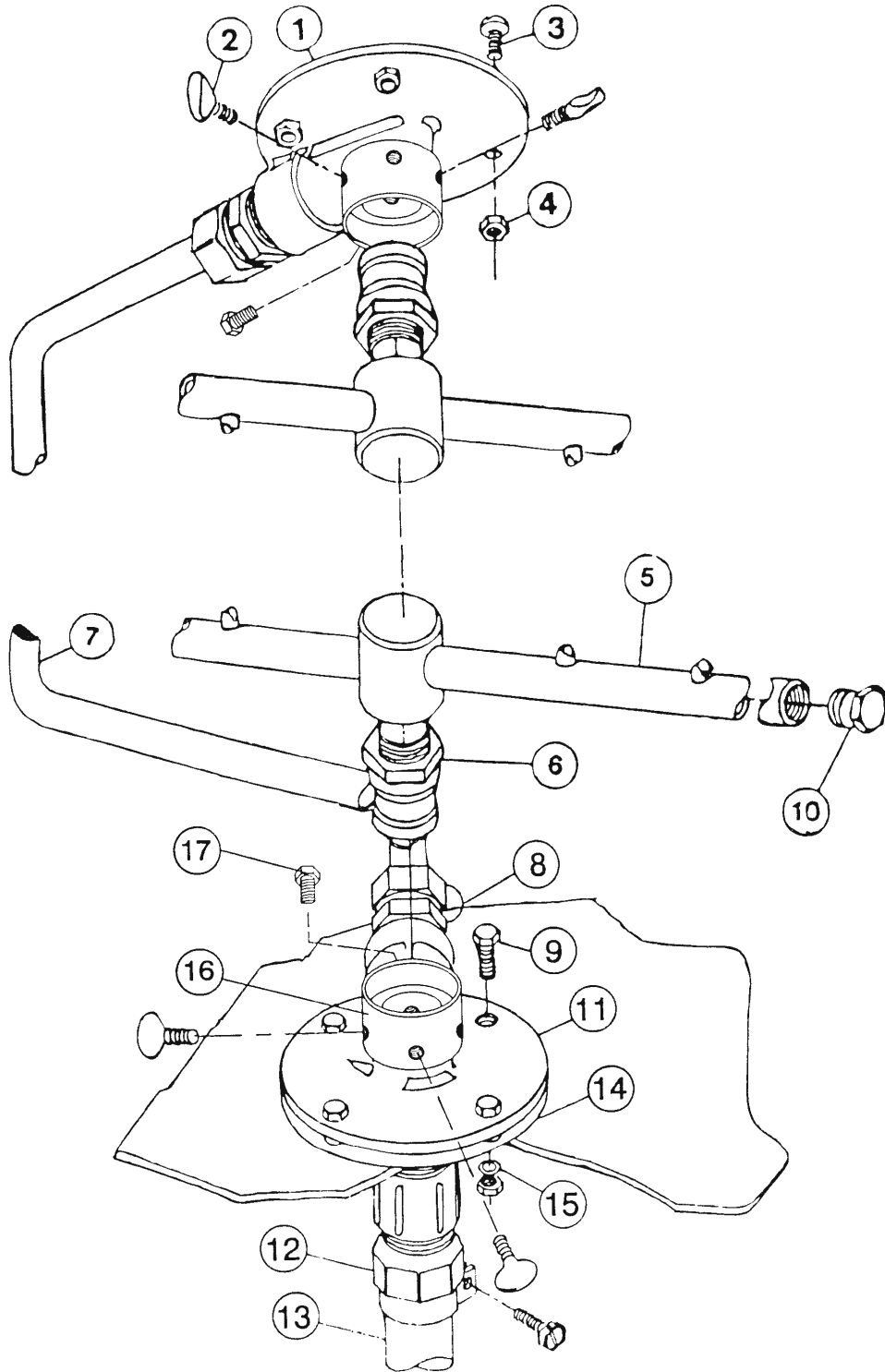
Ref. No.	Part No.	No. Req.	Description
1	061-1100	1	Cabinet Assembly
2	062-1300	1	Spray System Assembly
3	063-1300	1	Recirculating Pump Assembly
4	064-0200	1	Control System Assembly, AF-B (90 Seconds)
5	065-1300	1	Fresh Water Plumbing Assembly
6	066-0100	1	Drain System Assembly
7	067-0600	1	Door Actuator Assembly



061-1100  
Cabinet Assembly  
AF-B

**American Dish Service**

<b>Ref. No.</b>	<b>Part No.</b>	<b>No. Req.</b>	<b>Description</b>
1	087-6107	2	Door
2	083-6106	4	Door Strip, Nylatron
3	085-6139	1	Hood Weldment
4	087-6111	4	Door Guide
5	086-6101	1	Splash Shield
6	085-6126	1	Pan Weldment
7	085-6124	1	Tray Track Weldment
8	085-6127	1	Frame Weldment
9	099-1003	4	Bullet Foot
10	098-1423	12	Bolt, 1/4-20 x 1/2", HH, SS
11	098-2404	33	Washer, 1/4", SS
12	098-2507	33	Locknut, 1/4-20, SS
13	098-1414	21	Screw, 1/4-20 x 1/2", TH, SS
14	086-6104	2	Double Pipe Clamp



062-1300

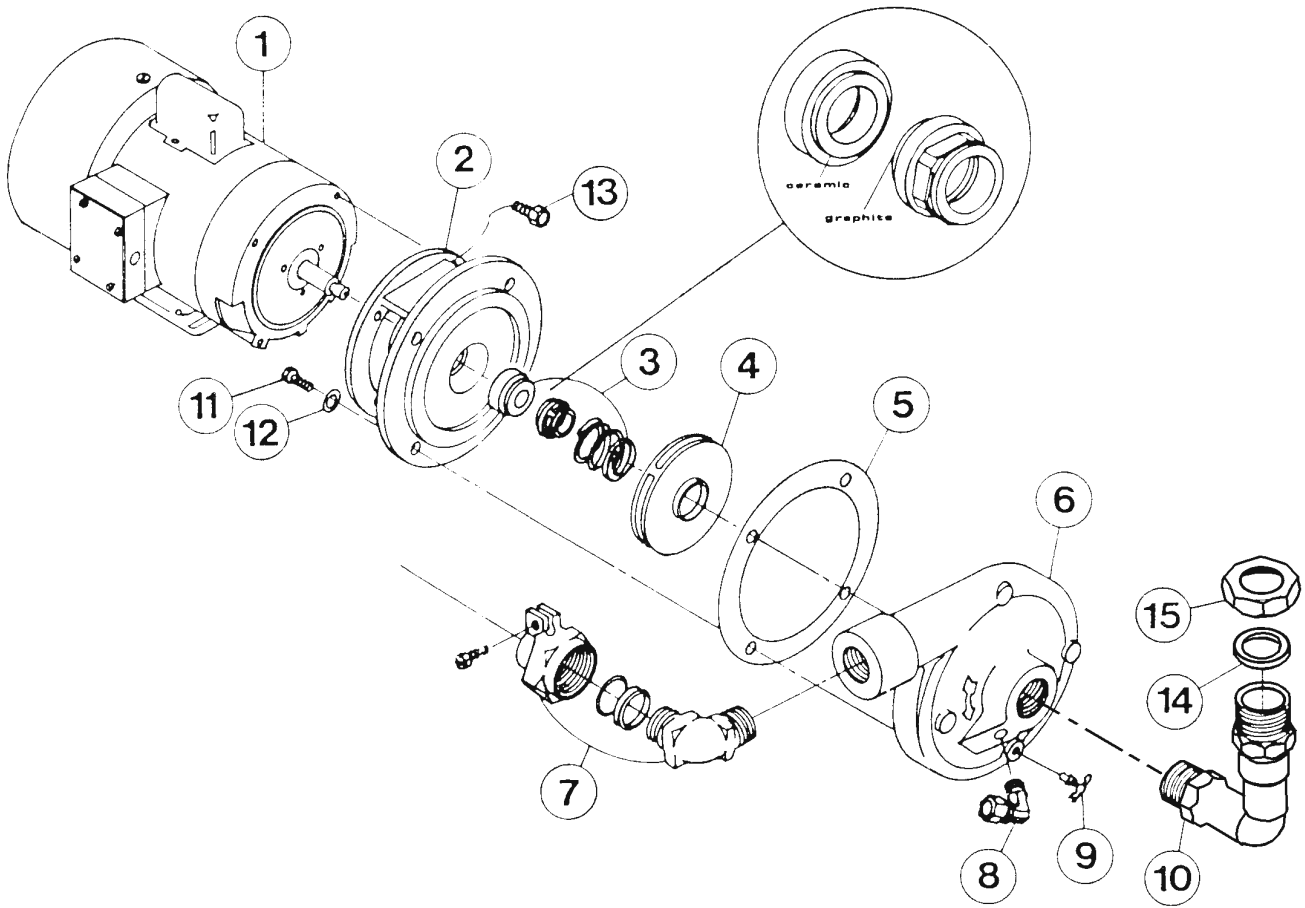
Spray System Assembly

*American Dish Service*

<b>Ref. No.</b>	<b>Part No.</b>	<b>No. Req.</b>	<b>Description</b>
1	082-6208	1	Upper Spray Base
2	098-1583	6	Thumb Screw, 5/16-18 x 5/8", SS
3	098-1426	4	Bolt, 1/4-20 x 3/4" HH, SS
4	098-2507	8	Locknut, 1/4-20, SS
5	081-6204	2	Spray Arm Assembly
6	081-6210	2	Spray Arm Bearing Assembly, Cleanable
7	087-6207	1	Manifold
8	092-1009	2	Fitting, 7/8 Comp. X 1" MPT
9	098-1426	4	Bolt, 1/4-20 x 3/4", HH, SS
10	084-6203	4	Spray Arm Endplug, Brass
11	082-6206	1	Lower Spray Base
12	092-1010	1	Ford Connector
13	086-6201	1	Pump Discharge Tube
14	089-6201	1	Spray Base Gasket
15	098-2404	4	Washer, 1/4", SS
16	082-6205	2	Spray Base Adaptor
17	098-1501	2	Bolt, 5/16-18 x 5/16", HH, SS
Rep.	092-1015		Ford Repair Kit (Repair Item)

063-1300  
Recirculating Pump Assembly  
AF-B

**American Dish Service**

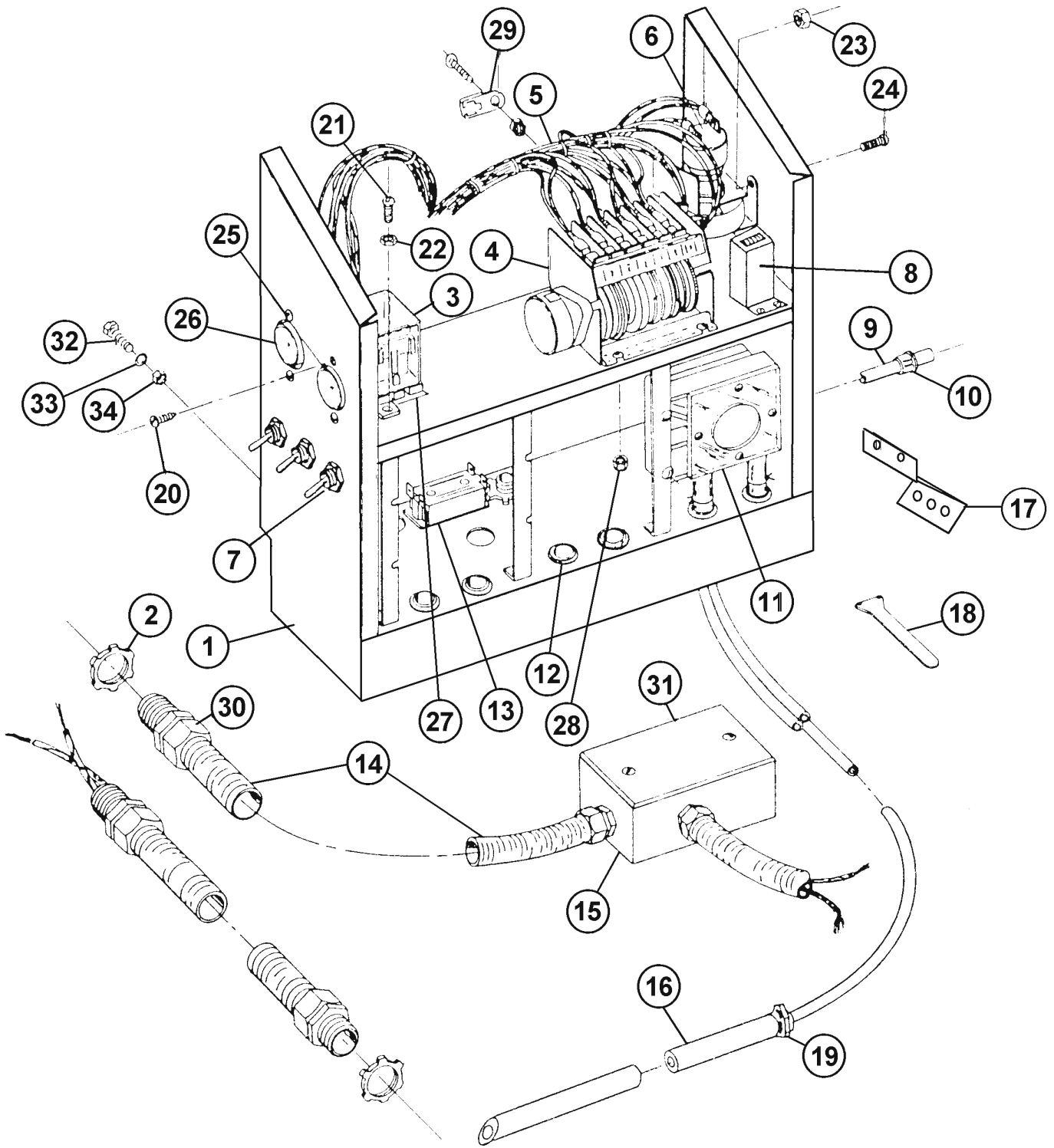




063-1300  
 Recirculating Pump Assembly  
 AF-B

**American Dish Service**

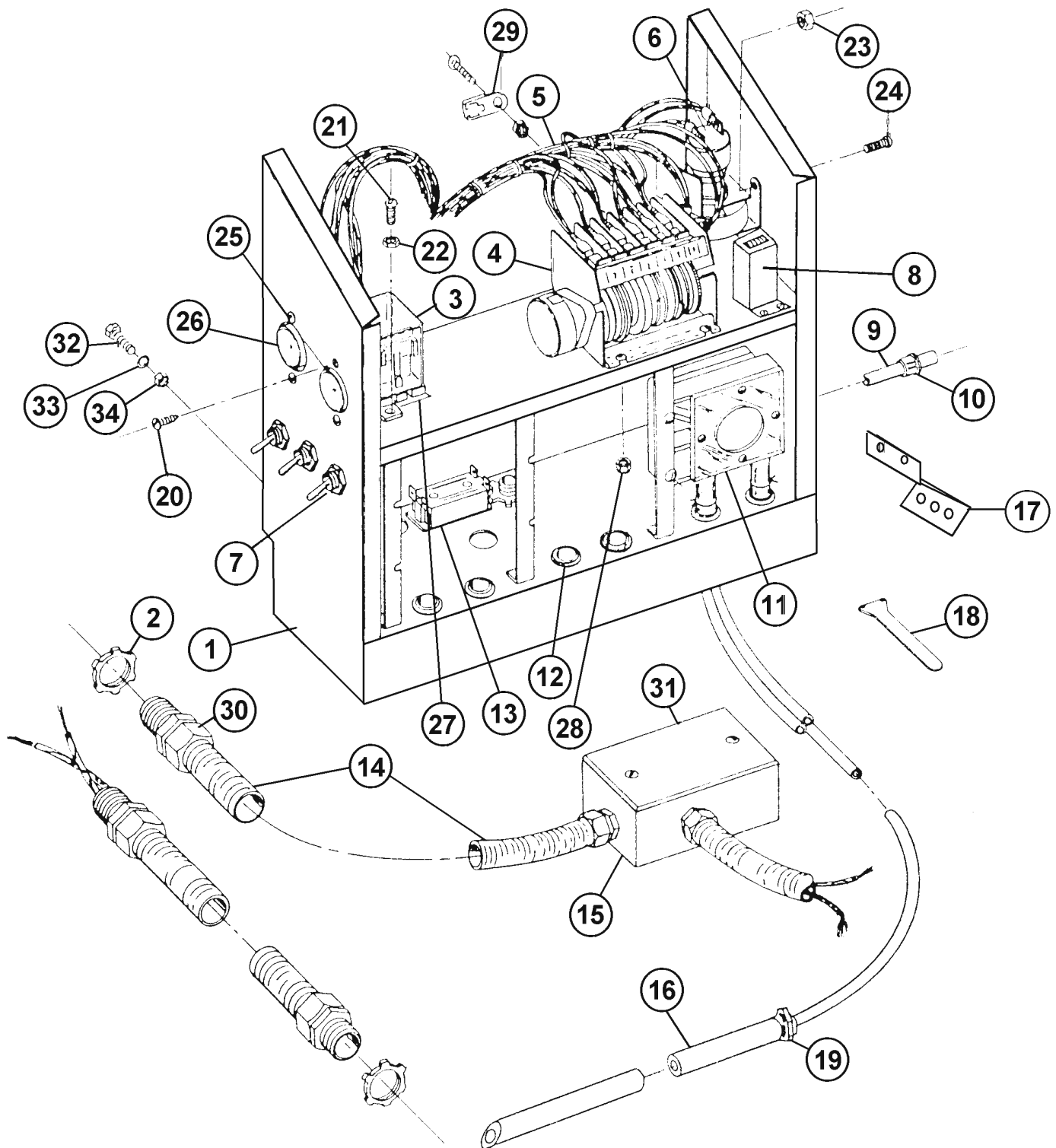
Ref. No.	Part No.	No. Req.	Description
1	091-1001	1	Motor
2	082-6301	1	Rear Housing
3	092-2001	1	Seal Assembly
4	082-6305	1	Impeller
5	089-6303	1	Gasket
6	082-6302	1	Front Housing (Pump Cover)
7	092-1001	1	Ford Elbow
8	092-1022	1	Elbow, 1/2" Comp. X 3/8" Mpt 90 °
9	092-1002	1	Petcock 1/8"
10	085-6311	1	Suction Tube Assembly
11	098-1507	2	Bolt, 5/16-18 x 7/8", HH, SS
11A	098-1510	2	Bolt, 5/16-18 x 1-1/4", HH, SS
12	098-2503	4	Washer, Copper 5/16"
13	098-1607	4	Bolt, HH, SS, 3/8-16 x 7/8"
14	092-2002	1	Gasket, Slipnut
15	092-1012	1	Slipnut, 1 1/2"
Rep.	092-1015	0	Repair Kit, Ford Fitting (Repair Part
Rep.	088-1063	0	Pump Assembly Through Impeller, AFB (Needs Gasket 089-6303)



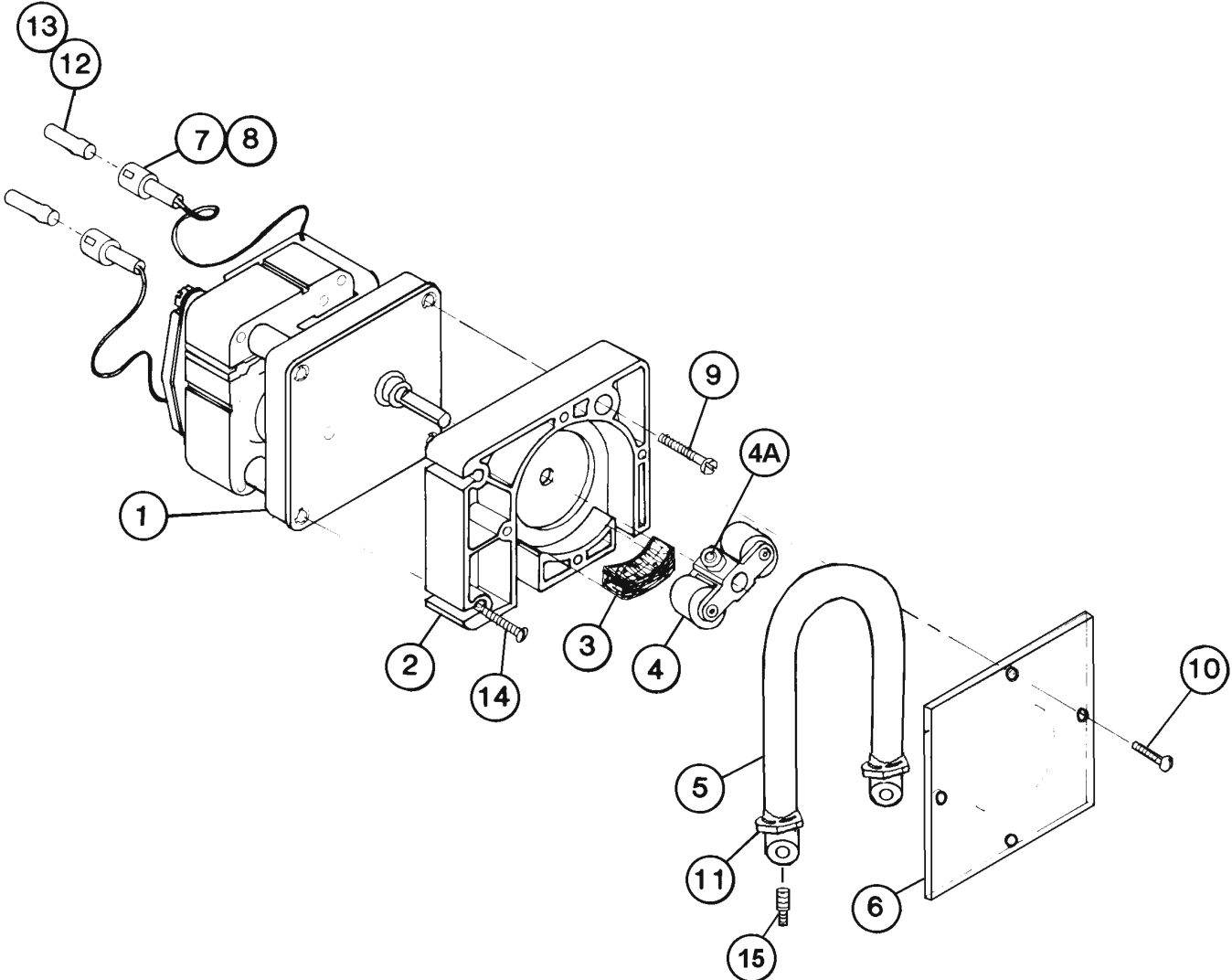
064-0200  
Control System Assembly  
AF-B

**American Dish Service**

Ref. No.	Part No.	No. Req.	Description
1	081-6402	1	Control Box Weldment
2	091-4144	2	Conduit Locknut, 1/2"
3	091-3003	1	Instant Start Relay (Not Included in Auto Start Machines)
4	091-3004	1	Timer, 90 Seconds
Opt.	091-3005		Timer, 120 Seconds
Opt.	091-3006		Timer, 150 Seconds
Opt.	091-3078		Timer, 150 Seconds, 8 Cam
5	091-5001	1	Wire Harness
6	091-3007	1	Motor Relay (Mercury Relay)
7	091-3009	3	Prime Switch Momentary Toggle
8	091-3049	1	Counter, Electric
9	093-1046	1	Chemical Discharge Tube, Red (By the Foot)
9	093-1045	1	Chemical Discharge Tube, Green (By the Foot)
9	093-1044	1	Chemical Discharge Tube, Blue (By the Foot)
10	091-4001	6	Grommet, 1/4"
11	064-0001	3	Chemical Pump Assembly (Peristaltic)
12	091-4002	6	Grommet
13	091-3008	1	Switch, DPST (Master Switch)
14	091-5156	1	Conduit, Sealtite, 1/2" (By the Foot)
15	091-4003	1	Junction Box
16	083-6407	3	Tube Stiffener
17	086-6414	1	Chemical Discharge Bracket
18	099-1004	1	Timer Adjustment Key
19	098-1605	3	Tube Clamp
20	098-1102	4	Screw, RH, SS, 6-32 x 1/4"
21	098-1104	2	Screw, RH, SS, 6-32 x 1/2"
22	098-2101	2	Nut, 6-32, SS
23	098-2201	9	Locknut, 8-32, SS
24	098-1204	11	Screw, 8-32 x 1/2", RH, SS
25	091-3002	1	Push Button Switch, Red, Start
26	091-3001	1	Push Button Switch, Black, Fill
27	091-3011	1	Relay Socket, Instant start
28	098-2202	4	Nut, 8-32, SS
29	091-5007	3	Wiring Clamp (Hold Down)
30	091-4141	4	Fitting, Sealtite, 1/2"
31	091-4004	1	Junction Box Cover





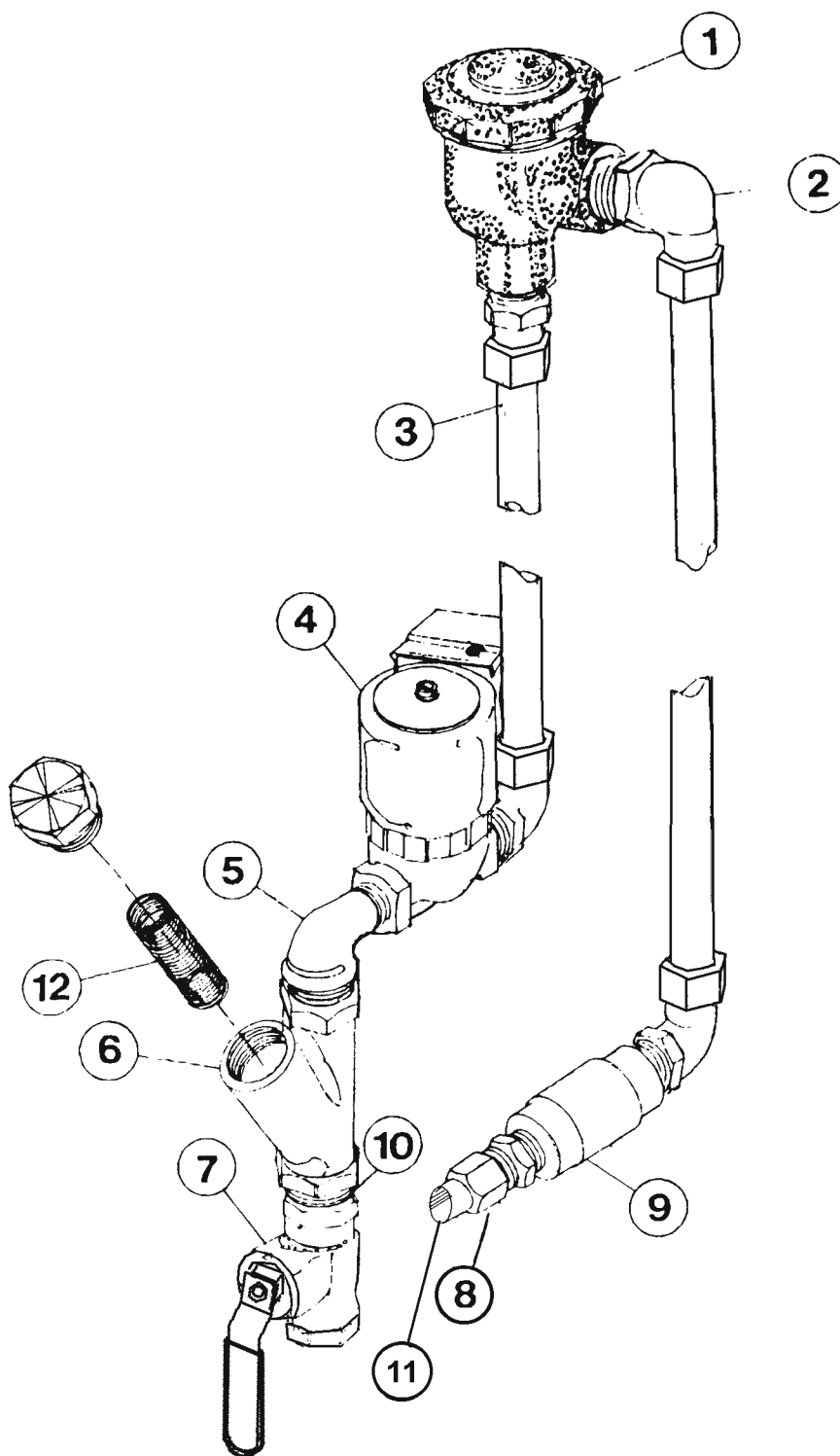


064-0001

Chemical Pump Assembly

**American Dish Service**

<b>Ref. No.</b>	<b>Part No.</b>	<b>No. Req.</b>	<b>Description</b>
1	091-1002	1	Gear Motor
2	083-6701	1	Chemical Pump Housing
3	089-6701	1	Lubrication Pad
4	067-6701	1	Rotor Assembly
4A	098-1401	1	Set Screw, 1/4-20 x 1/4"
5	087-6700	1	Chemical Pump Tube (Squeeze)
6	083-6702	1	Cover
7	092-5222	2	Molex Female Pin
8	091-5221	2	Molex Cover
9	098-1310	1	Screw, 10-32 x 1/2", FH, SS
10	098-1204	4	Screw, 8-32 x 1/2", RH, SS
11	098-1606	2	Tube Clamp
12	091-5224	Rep.	Molex Male Pin (Service Only)
13	091-5223	Rep.	Cover (Service Only)
14	098-1305	2	Screw, 10-32 x 1 1/2", RH, SS
15	091-1146	2	Hose Barb, 1/4" x 3/16" (Connects Squeeze Tube to 1/4" Tubing)
N/S	088-1005	Rep.	Rotor Lubricant, 4 oz. Bottle





065-1300

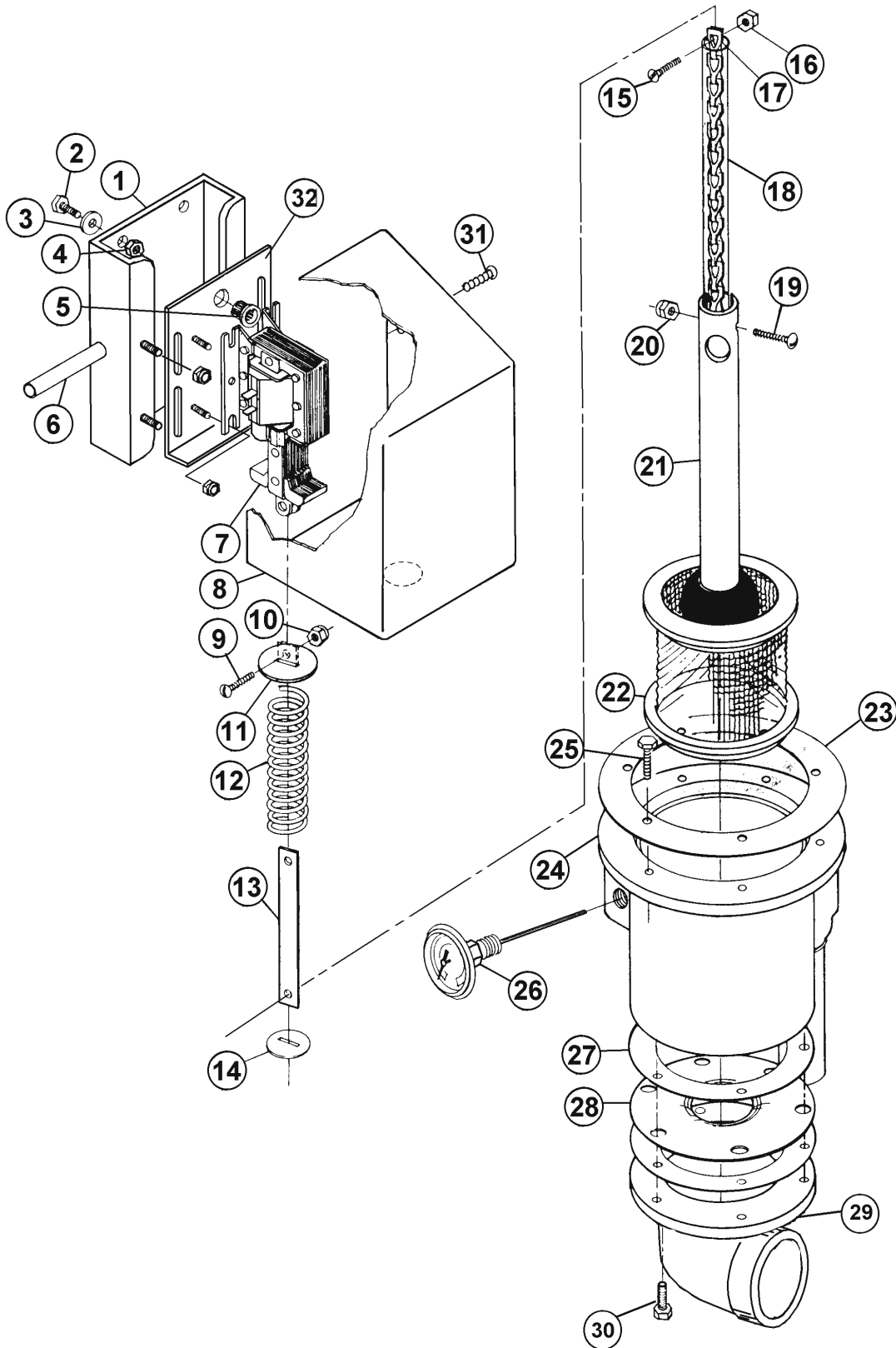
Fresh Water Plumbing Assembly  
AF-B

**American Dish Service**

Ref. No.	Part No.	No. Req.	Description
1	092-5045	1	Vacuum Breaker Valve
N/S	092-5047	Rep.	Vacuum Breaker Repair Kit (Repair Part)
N/S	092-5049	Rep.	Vacuum Breaker Cap (Repair Part)
N/S	092-5051	Rep.	Vacuum Breaker, Bonnet and Stem
2	085-6512	1	Vacuum Breaker Outlet Pipe Assembly
3	085-6513	1	Vacuum Breaker Inlet Pipe Assembly
4	092-5015	1	Solenoid Valve
N/S	092-5025	Rep.	Solenoid Valve Body
N/S	092-5017	Rep.	Solenoid Valve Coil
N/S	092-5016	Rep.	Kit, Solenoid Valve
5	092-1006	1	½" Street Elbow, Brass
6	092-9001	1	Line Strainer, ½"
7	092-5054	1	Ball Valve
8	092-1007	1	Fitting, ½" Comp. X ½" Mpt
9	092-5027	1	Strataflow Checkvalve, ½"
10	092-1008	2	Nipple, Close, ½"
11	092-3001	1	Fresh Water Supply Tube (To Pump)
12	092-9002	Rep.	Screen, Line Strainer (Repair Part)
N/S	092-1100	Rep.	Elbow Fitting, 5/8" Comp x ½" MPT
N/S	094-1040	Rep.	Tubing, 5/8" OD (Sold by the Foot)
N/S	092-1058	Rep.	Fitting, 5/8" Comp x ½" MPT
			<b>LOS ANGELES OPTION</b>
N/S	092-1102	1	Fitting, 5/8" Comp. x 5/8" Comp. x 3/8" Comp. Tee
N/S	092-1104	1	Locknut, 3/8" Comp.
N/S	089-6304	1	Gasket, L.A. Plumbing
N/S	086-6825	1	Bracket, Spray deflector, L.A. Plumbing

066-0100  
Drain System Assembly  
AF-B

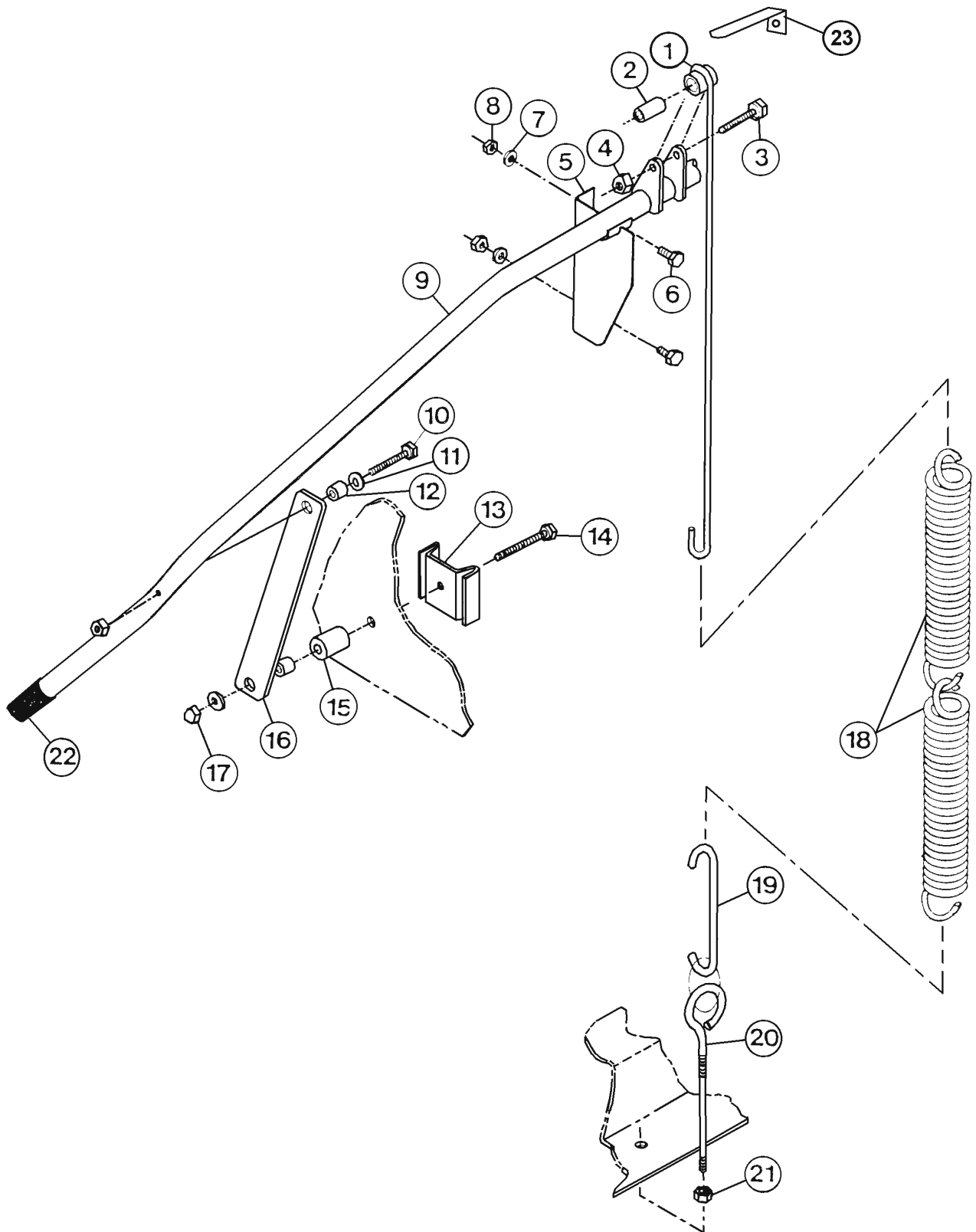
**American Dish Service**



066-0100  
 Drain System Assembly  
 AF-B

**American Dish Service**

Ref. No.	Part No.	No. Req.	Description
1	085-6620	1	Solenoid Base
2	098-1423	4	Bolt, 1/4-20 x 1/2", HH, SS
3	098-2404	10	Washer, 1/4", SS
4	098-2507	8	Locknut, 1/4-20, SS
5	091-4005	1	Grommet, Plastic
6	084-6601	1	Conduit, 2 1/2"
7	091-2001	1	Solenoid
8	085-6608	1	Solenoid Cover
9	098-1205	1	Screw, 8-32 x 5/8", RH, SS
10	098-2201	1	Locknut, 8-32, SS
11	086-6607	1	1 1/16" Slotted Washer
12	098-3001	1	Spring
13	086-6605	1	Link
14	086-6606	1	7/8" Slotted Washer
15	098-1205	1	Screw, 8-32 x 5/8", RH, SS
16	098-2201	1	Locknut, 8-32, SS
17	089-6604	1	Chain (Made From 098-9001)
18	084-6604	1	Chain Cover (Made From 093-1012)
19	098-1311	1	Screw, 10-32 x 1 3/8", RH, SS
20	098-2301	1	Locknut, 10-32, SS
21	081-6601	1	Drain Plug Assembly
N/S	084-6608	Rep.	Drain Tube (Repair Part)
N/S	083-6601	Rep.	Drain Ball, 1 1/2" (Repair Part)
22	085-6602	1	Screen Sump
23	089-6601	1	Sump Gasket
24	082-6601	1	Sump Assembly w/Tail Piece
25	098-1423	6	Bolt, 1/4-20 x 1/2", HH, SS
26	099-1001	1	Temperature Gauge
27	089-6602	2	Drain Elbow Gasket
28	086-6601	1	Drain Seat, 1 1/2"
29	082-6602	1	Drain Elbow, 1 1/2" FPT
30	098-1507	6	Bolt, 5/16-18 x 7/8", HH, SS
31	098-1413	2	Screw, 1/4-20 x 3/8", TH, SS
32	085-6622	1	Drain Solenoid Base, Front Plate
N/S	088-1057	Rep.	Drain Solenoid Base Kit (Conversion to SS Base)



067-0600

Door Actuator Assembly  
AF-B

**American Dish Service**

<b>Ref. No.</b>	<b>Part No.</b>	<b>No. Req.</b>	<b>Description</b>
1	085-6714	2	Spring Extension
2	098-4002	2	Bushing, Bronze
3	098-1514	2	Bolt, 5/16 x 1 1/2", HH, SS
4	098-2505	2	Cap Nut, 5/16-18, HH, SS
5	085-6703	1	Arm Support Bracket, LH
N/S	085-6707	1	Arm Support Bracket, RH
6	098-1423	4	Bolt, 1/4-20 x 1/2", HH, SS
7	098-2404	4	Washer, 1/4", SS
8	098-2507	4	Locknut, 1/4-20, SS
9	085-6708	1	Door Operating Arm (Lever Arm)
10	098-1431	2	Bolt, 1/4-20 x 1 3/8", HH, SS
11	098-2404	6	Washer, 1/4", SS
12	084-6703	4	Bushing (Dowel 3/8")
13	086-6701	2	Door Stop
14	098-1432	2	Bolt, 1/4-20 x 1 3/4", HH, SS
15	084-6702	2	Spacer
16	086-6828	2	Door Link
17	098-2405	4	Cap Locknut, 1/4-20, SS
18	098-3003	2	Door Spring
19	086-6703	2	Spring Extension, Secondary
20	098-1581	2	Eye Bolt, 5/16-18 x 6"
21	098-2502	2	Nut, 5/16-18, HH, SS
22	099-1018	2	Lever Arm End Cap
23	086-6623	1	Lever Arm Cut-Off Bracket, "L"
N/S	098-2503	2	Washer, Copper, 5/16"

# ***American Dish Service***

*Manufacturer of low and high temperature  
Commercial Dishwashers and Glasswashers*

900 Blake Street  
Edwardsville, Kansas 66111  
Ph:(913) 422-3700  
Fax:(913) 422-6630