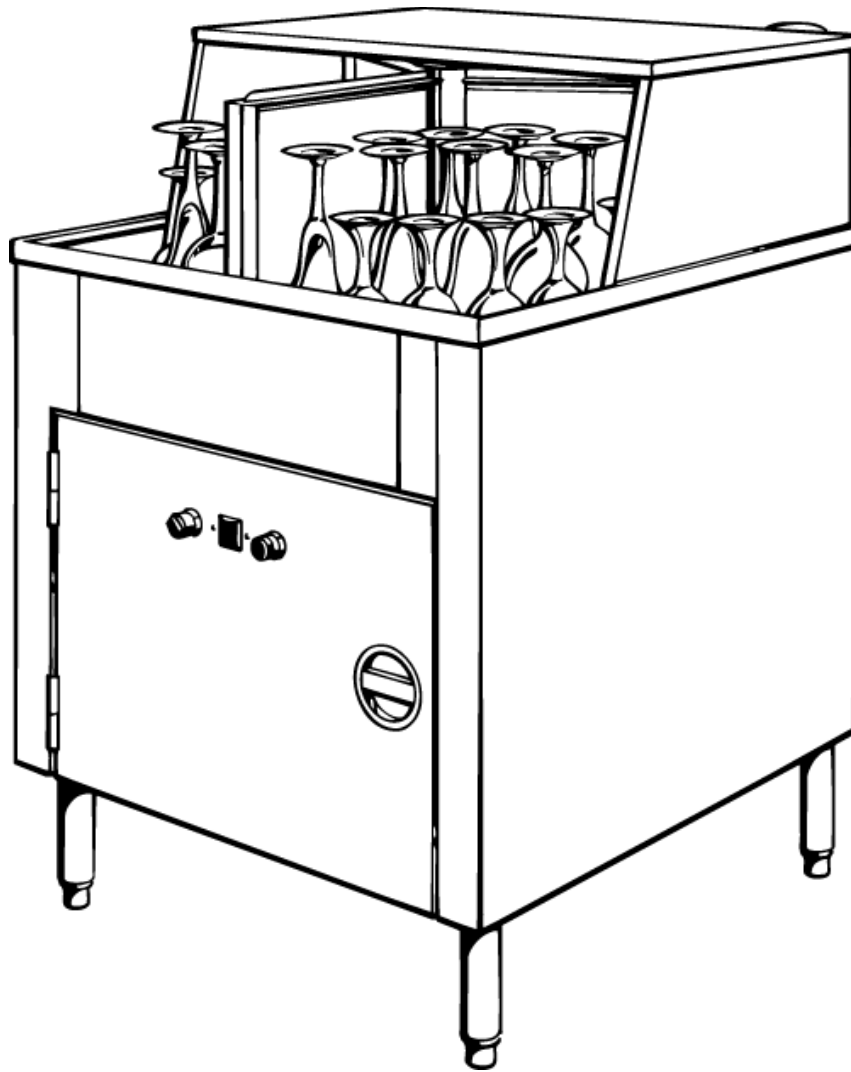


EFFECTIVE: MAY, 2008

American Dish Service

ADS MODEL:
ASQ GLASSWASHER

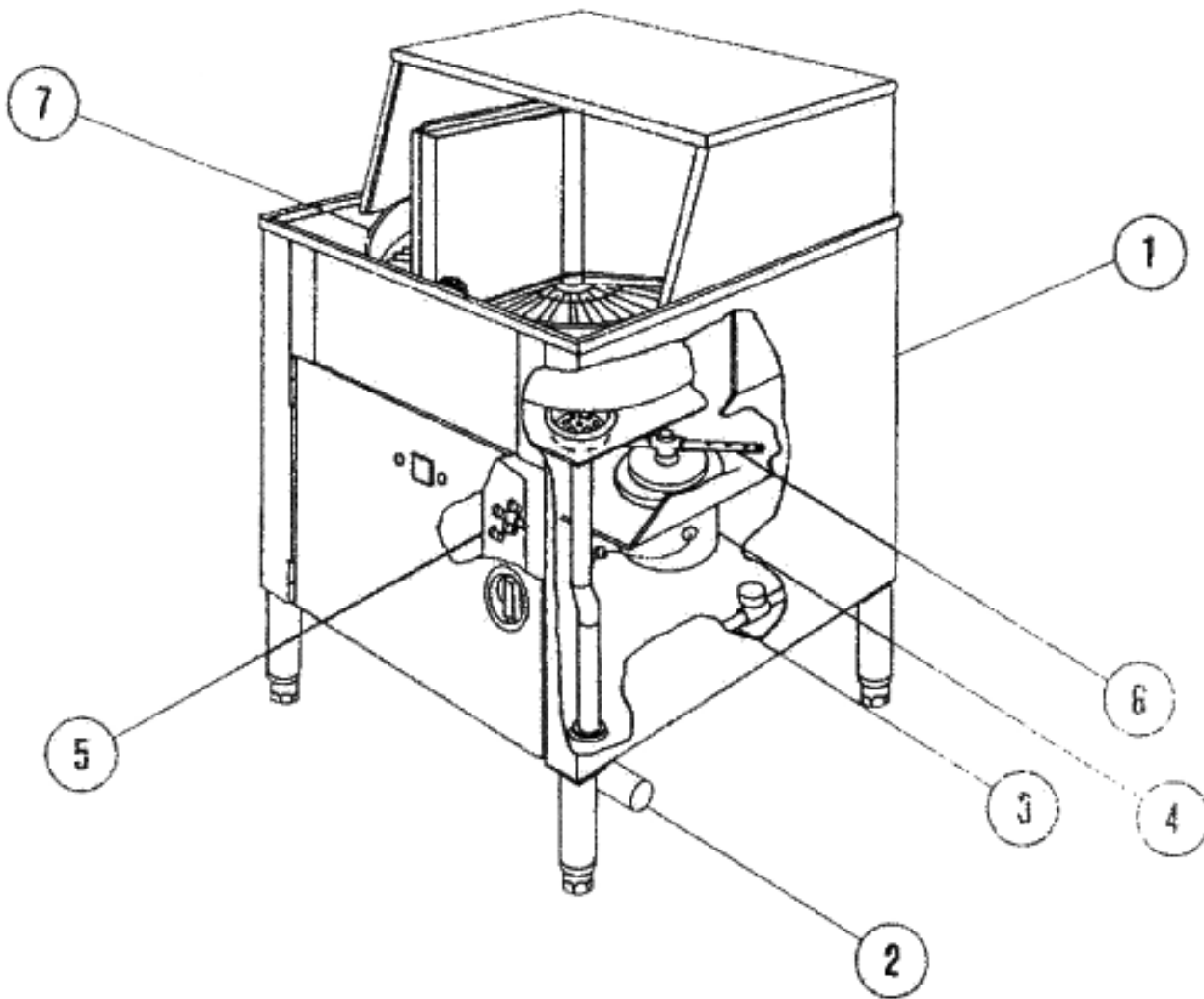


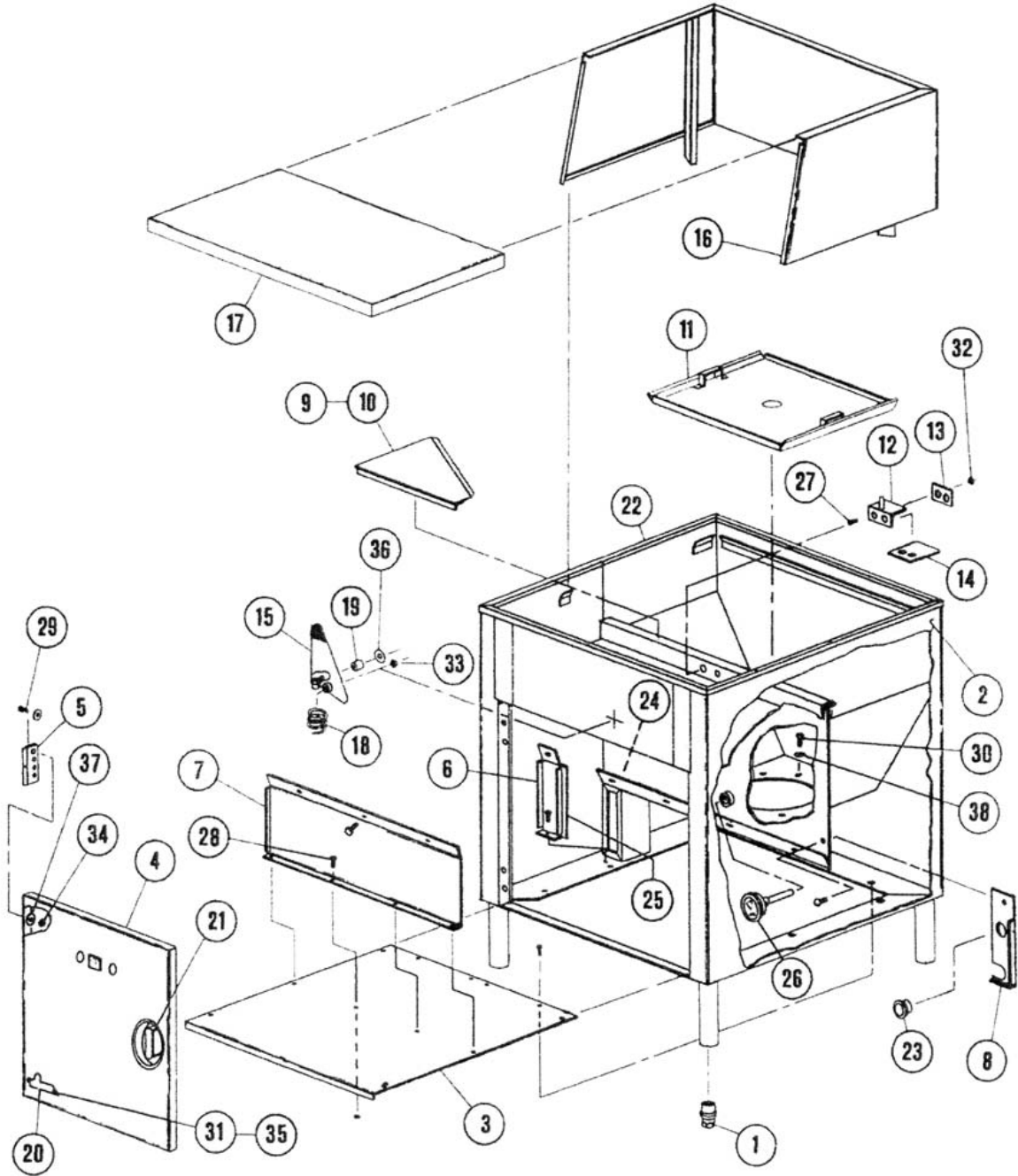
PARTS MANUAL

900 Blake Street
Edwardsville, Kansas 66111
(913)422-3700

021-0061
Model: ASQ Glasswasher

American Dish Service

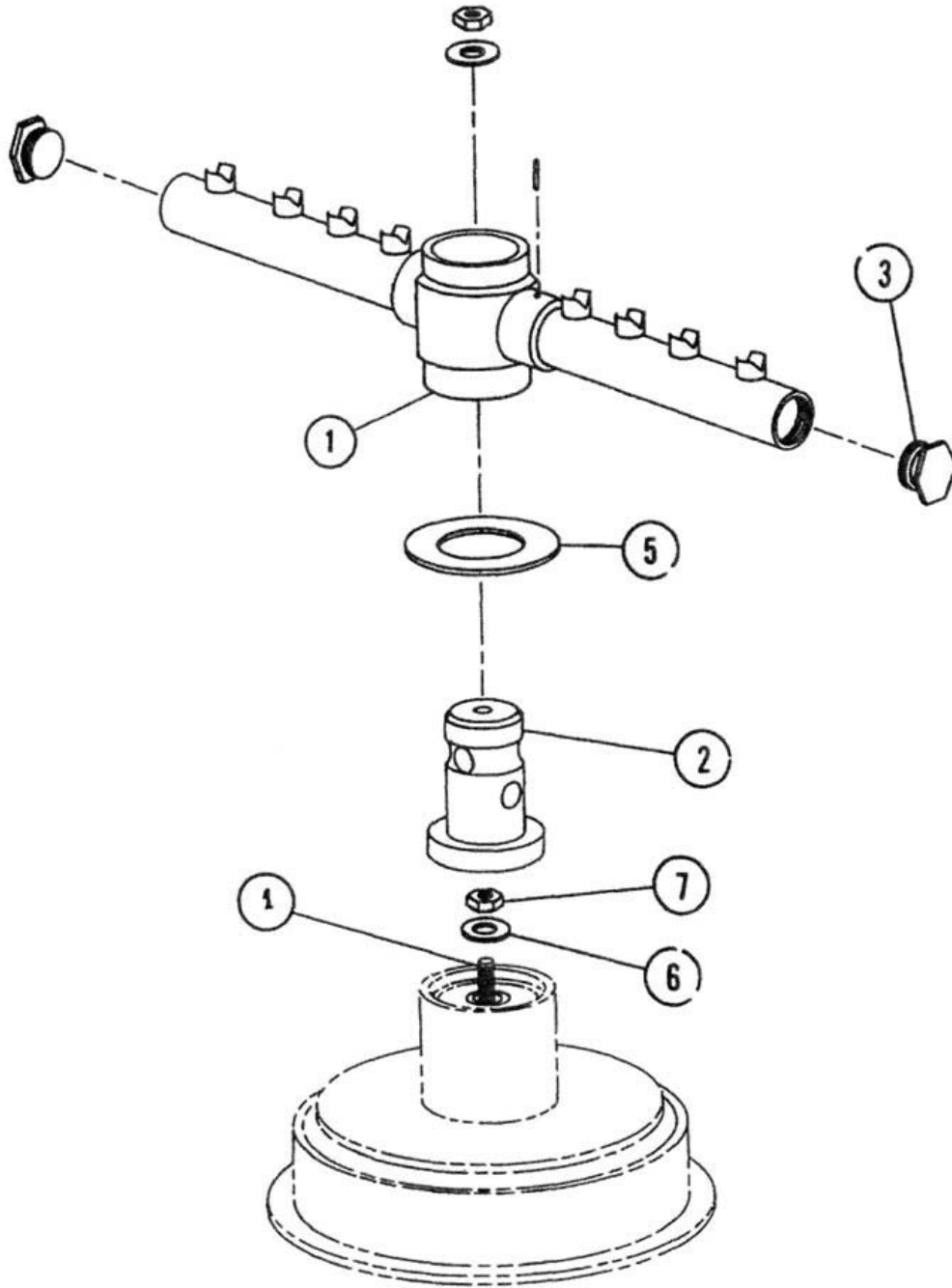


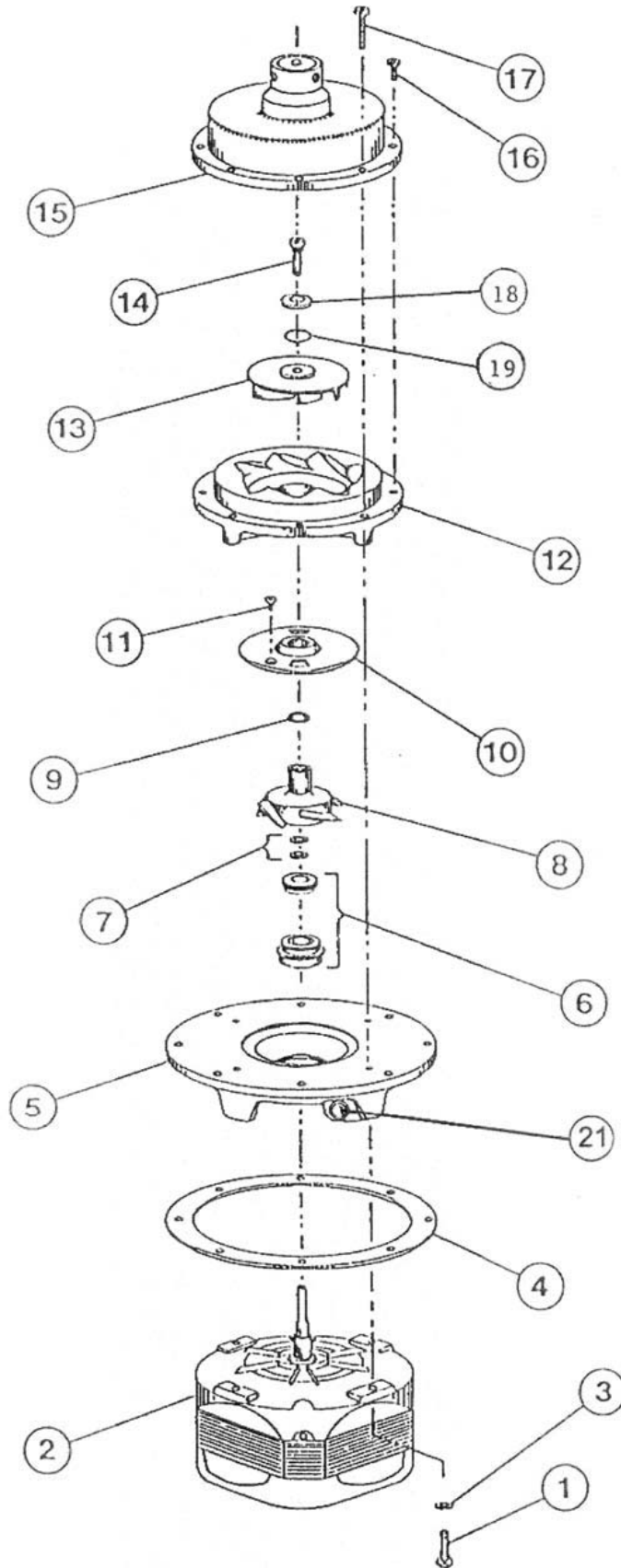


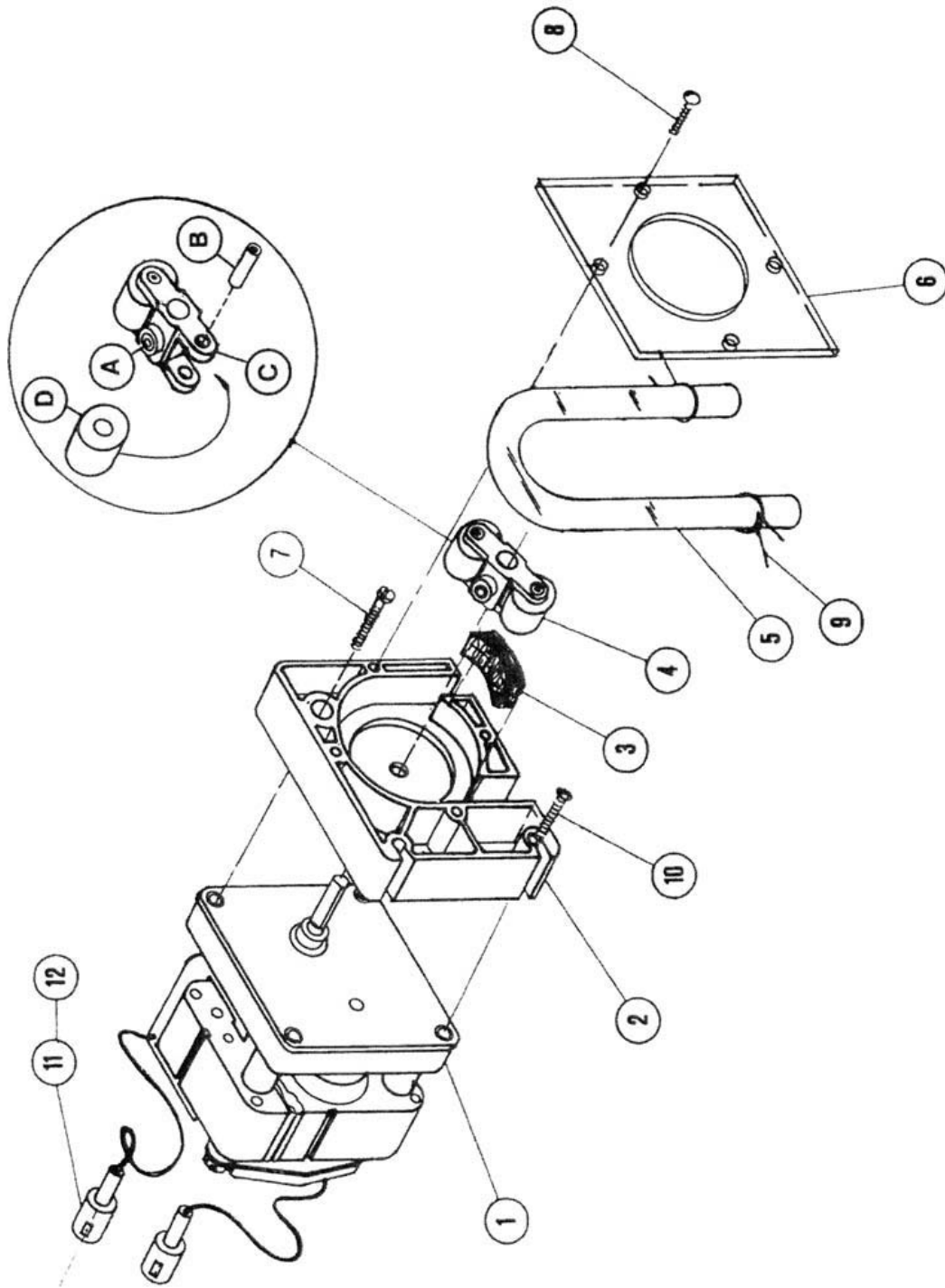
061-0700
CABINET ASSEMBLY

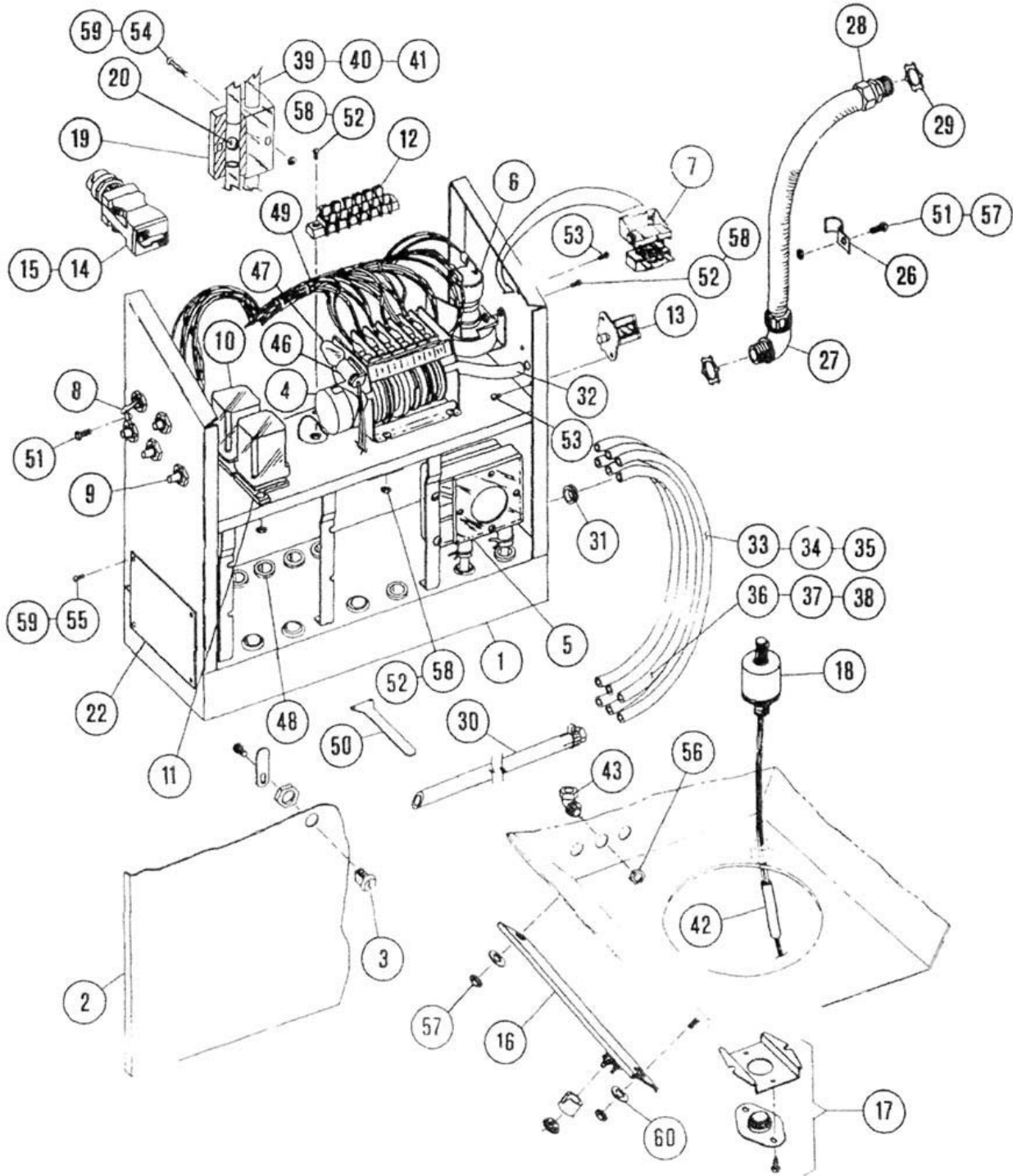
American Dish Service

Ref. No.	Part No.	No. Req.	Description
1	099-1003	4	Bullet Foot, Metal
2	085-6120	1	Cabinet Weldment
3	087-6135	1	Floor
4	081-6112	1	Door Weldment
5	081-6109	1	Hinge, Slip Joint Assembly
6	086-6150	1	Cover, Field Wire Box
7	087-6162	1	Motor Compartment Panel
8	086-6143	1	Divider Gusset
9	081-6105	1	Splash Shield Weldment, LH
10	081-6106	1	Splash Shield Weldment, RH
11	081-6110	1	Scrap Tray Weldment
12	085-6122	1	Pivot, Carousel, Weldment
13	086-6134	6	Shim
14	083-6102	1	Gasket, Pivot Plate, White
15	081-6111	1	Detent Weldment
16	081-6113	1	Hood Weldment
17	081-6102	1	Hood Top Weldment
18	098-3009	1	Spring, 7/16 ID x 2", SS
19	084-6110	1	Roller, Detent
20	089-0002	1	Logo
21	096-1003	1	Door Latch
22	083-6104	4	Door Strips, Nylatron
23	097-4007	1	Grommet, 7/8"ID
24	091-4008	1	Grommet, 23/32 ID, Field Wire Box
25	083-6103	1	Gasket, Field Wire Box
26	099-1001	1	Temperature Gauge
27	098-1426	2	Bolt, 1/4-20 x 3/4", HH, SS
28	098-1423	18	Bolt, 1/4-20 x 1/2", HH, SS
29	098-1314	8	Screw, 10-32 x 1/2", PH, SS
30	098-1318	8	Screw, 10-32 x 3/4", HH, SS
31	098-1101	2	Screw, 4-40 x 5/16", FH, SS
32	098-2401	8	Nut, 1/4-20, HH, SS
33	098-2507	2	Locknut, 1/4-20, SS
34	098-2301	8	Locknut, 10-32, SS
35	098-2001	2	Locknut, 4-40, SS
36	098-2404	1	Washer, Flat, 1/4", SS
37	098-2306	16	Washer, Flat, #10, SS
38	098-2312	8	Washer, Flat, #10, Brass





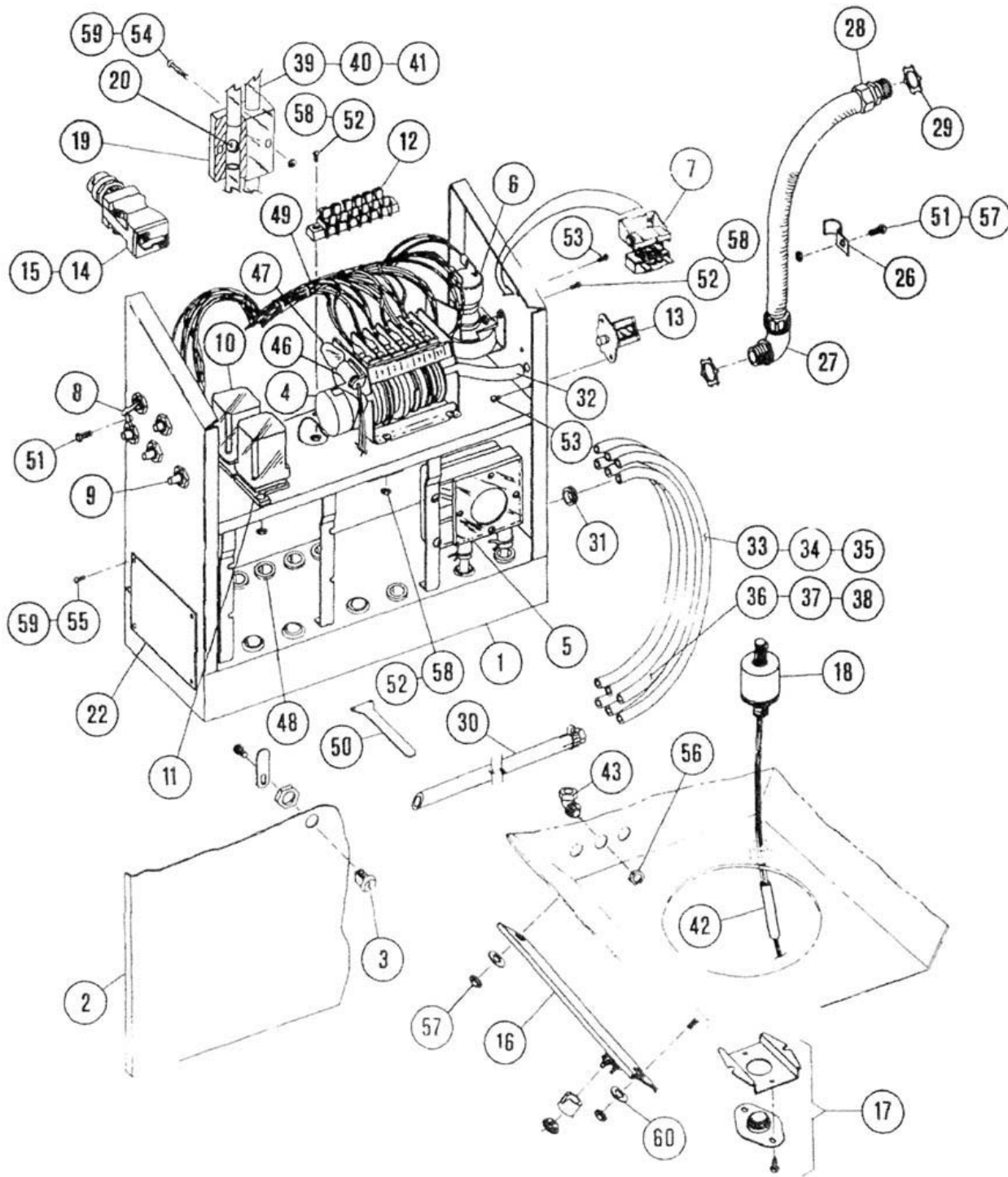


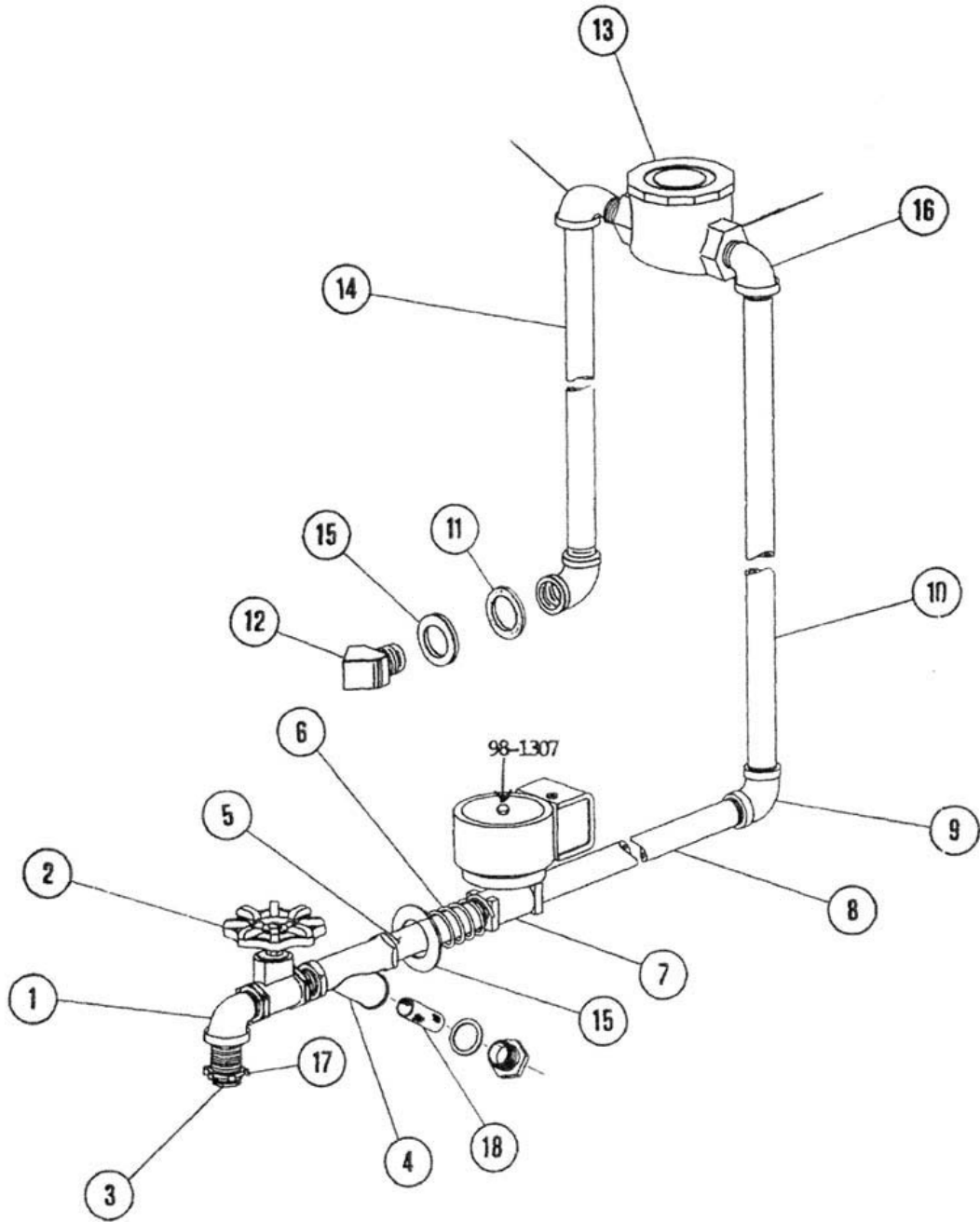


064-1200
CONTROL SYSTEM ASSEMBLY

American Dish Service

Ref. No.	Part No.	No. Req.	Description
1	081-6410	1	Control Box Weldment
2	087-6401	1	Control Box Cover
3	096-1002	1	Control Box Lock
4	091-3044	1	Timer, 72 Second
5	064-0001	3	Chemical Pump Assembly
6	091-3007	1	Relay, Mercury Motor
7	091-3056	1	Relay, Motor Start
8	091-3024	1	Switch, Toggle
9	091-3009	4	Switch, Push Button
10	091-3030	2	Relay, Instant Start
11	091-3011	2	Socket, Relay, Instant Start
12	091-5010	2	Buss
13	091-3049	1	Counter
14	091-3077	1	Black Power Assembly (Since 08/1997)
	091-3031		Switch, Power Assembly (OLD STYLE)
15	091-3041	1	Switch, Red Start Assembly
16	091-9009	1	Heater, Submersible
	091-9008		Heater (OBSOLETE – NOT AVAILABLE)
17	091-2005	1	Thermostat (OBSOLETE – NOT AVAILABLE)
18	091-3045	1	Switch, Float
19	084-6403	1	Flow Indicator Housing
20	099-1008	1	Ball, Float, 5/16, Green
21	089-0001	1	Nameplate
22	091-4146	1	Clamp, Conduit, 1/2"
23	091-4142	1	Conduit Fitting, 1/2" 90° Elbow
24	091-4141	1	Conduit Fitting, 1/2" Straight
25	091-4144	2	Conduit Locknut
26	083-6407	3	Tube Stiffener
27	091-4001	12	Grommet, 1/4" ID
28	083-6403	1	Counter Drive Tube (OBSOLETE)
29	093-1046	1	Chemical Discharge Tube, Red
30	093-1044	1	Chemical Discharge Tube, Blue
31	093-1045	1	Chemical Discharge Tube, Green
32	093-1046	1	Chemical Suction Tube, Red
33	093-1044	1	Chemical Suction Tube, Blue
34	093-1045	1	Chemical Suction Tube, Green
35	093-1046	1	Indicator Tube, Red
36	093-1045	1	Indicator Tube, Green
37	089-6702	4	Tube, Silicone, Flow Indicator
38	093-1007	1	Shrink Tube, 1/4"

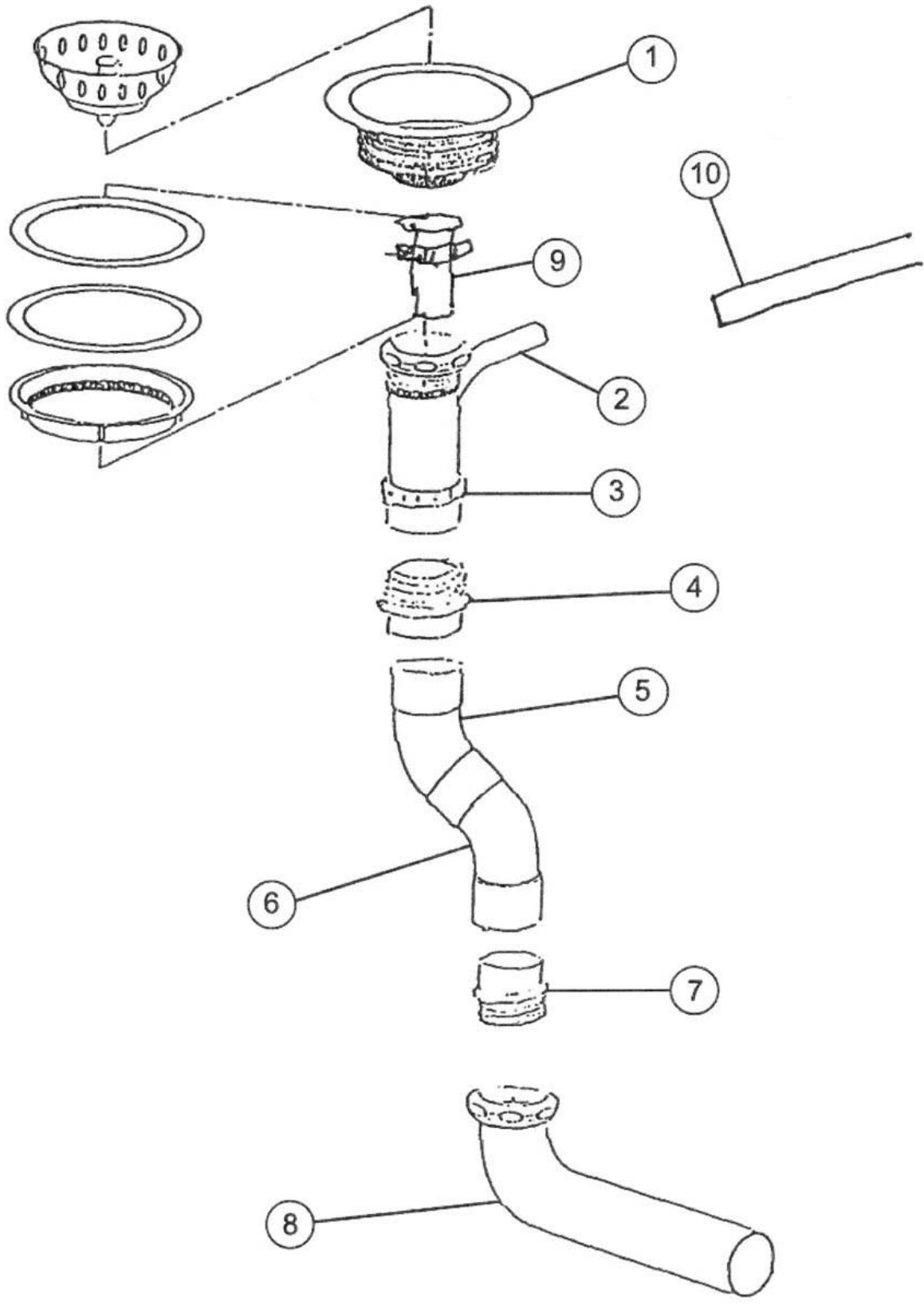


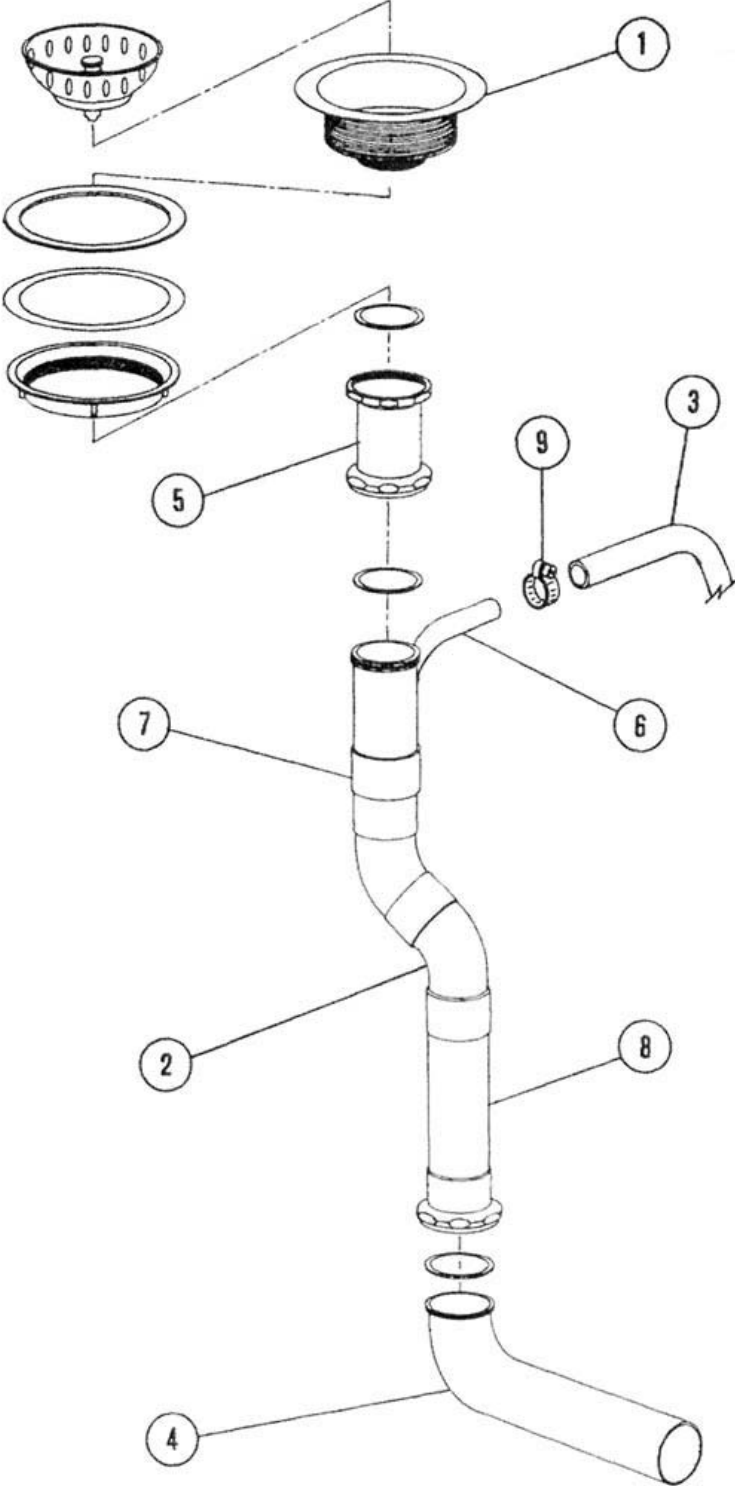


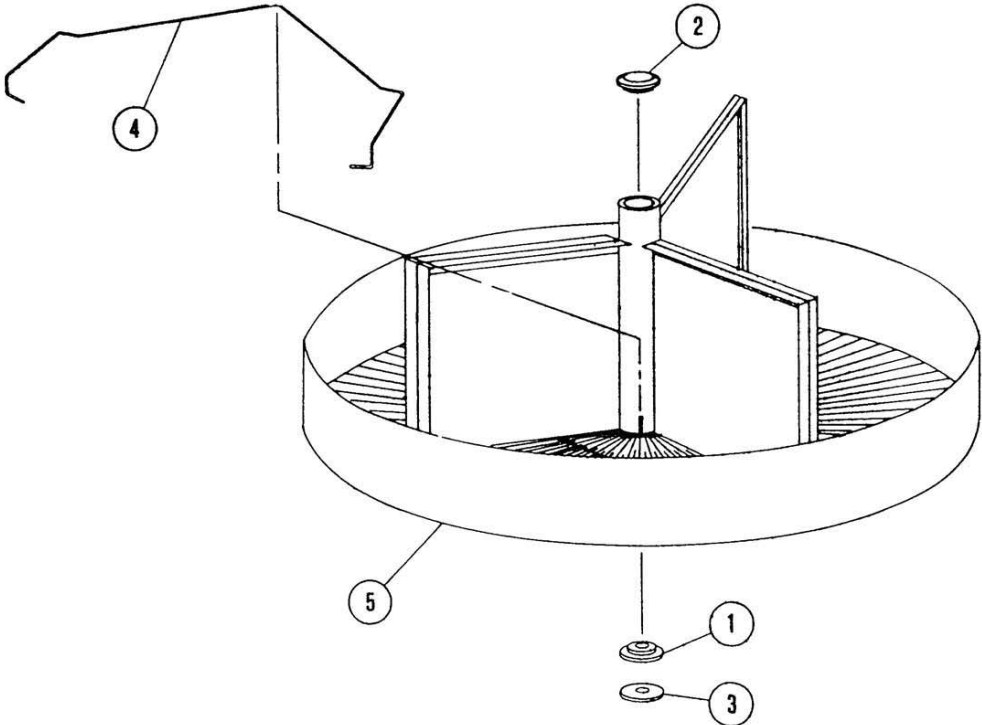
066-0600

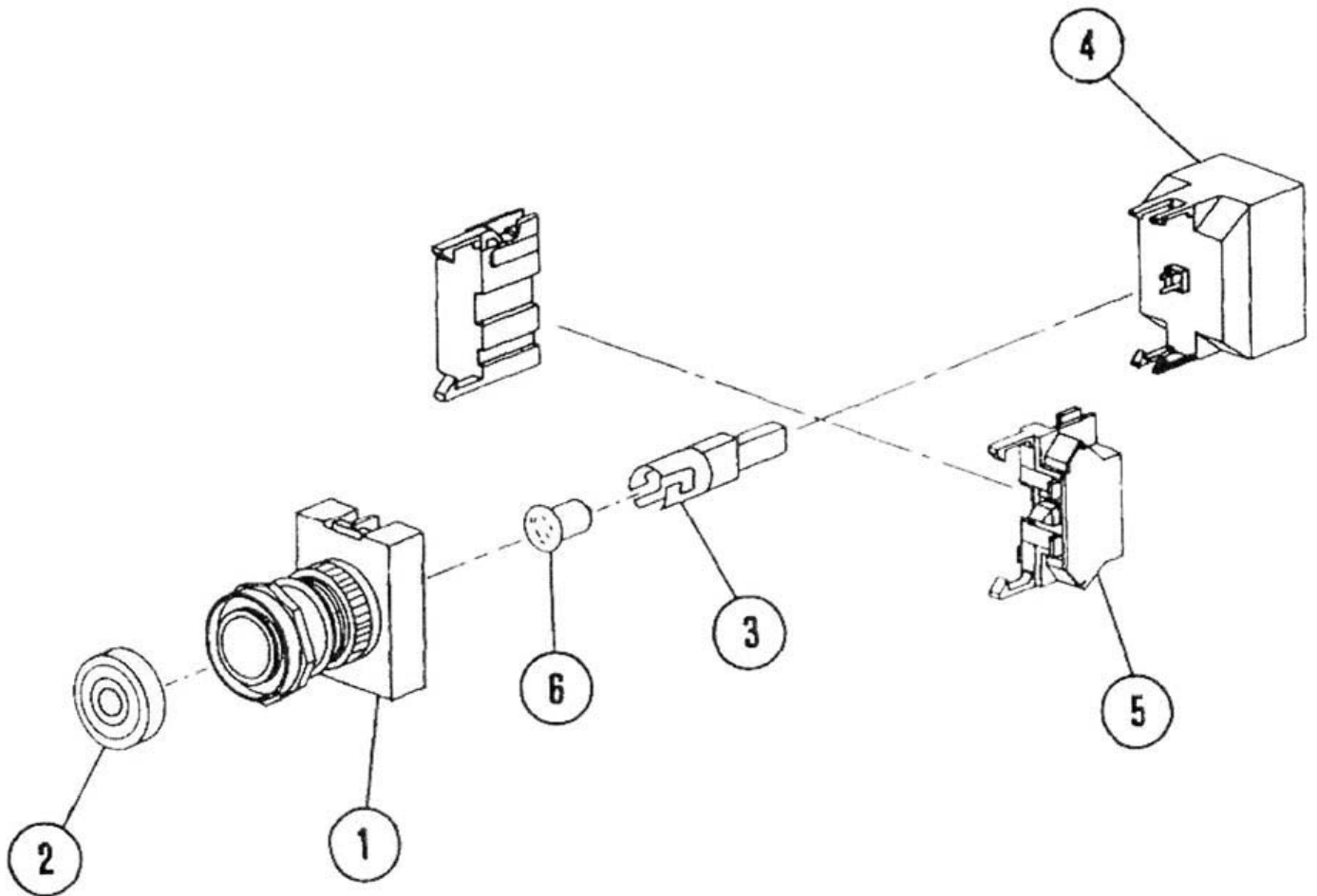
DRAIN SYSTEM ASSEMBLY - NEW

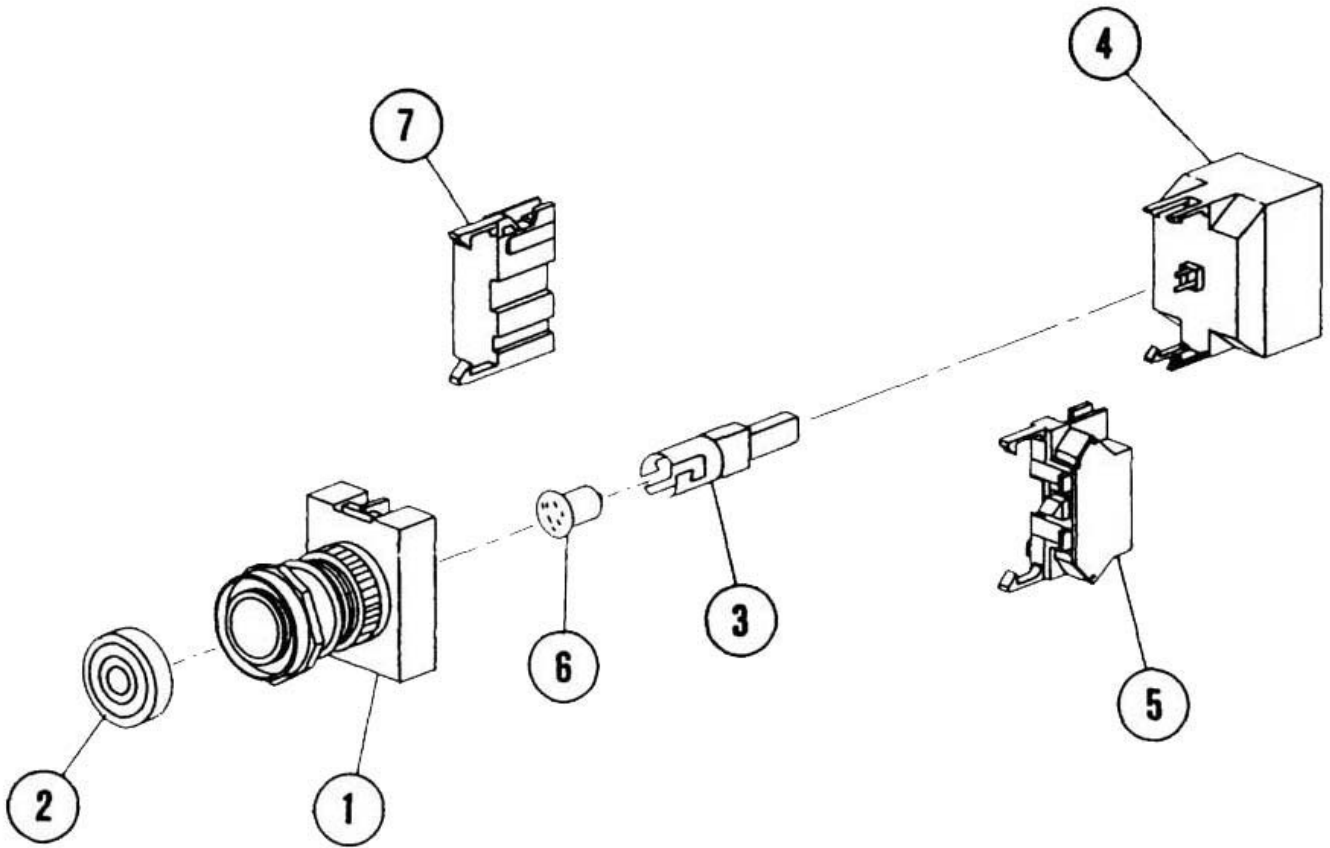
American Dish Service











American Dish Service

*Manufacturer of low and high temperature
Commercial Dishwashers and Glasswashers*

900 Blake Street
Edwardsville, Kansas 66111
Ph:(913) 422-3700
Fax:(913) 422-6630